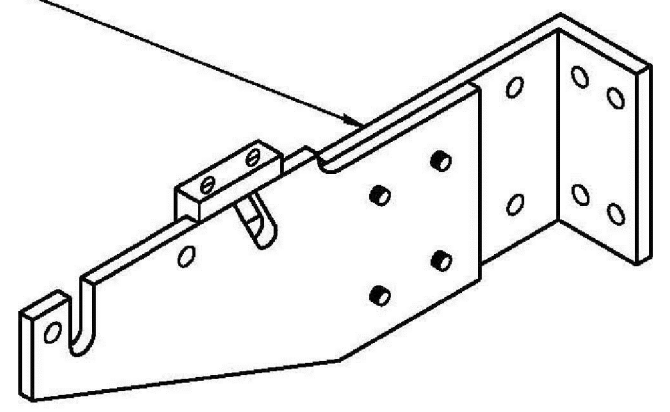
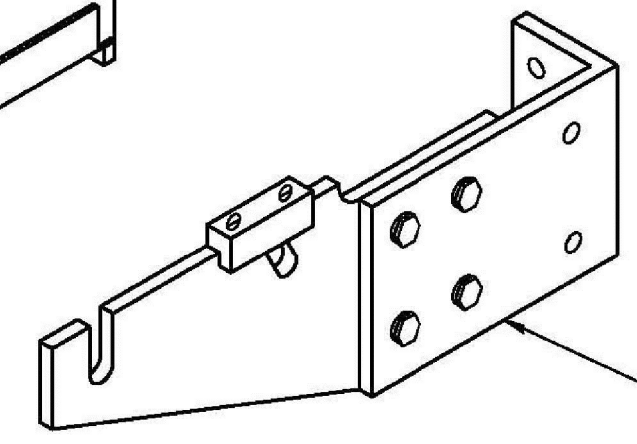
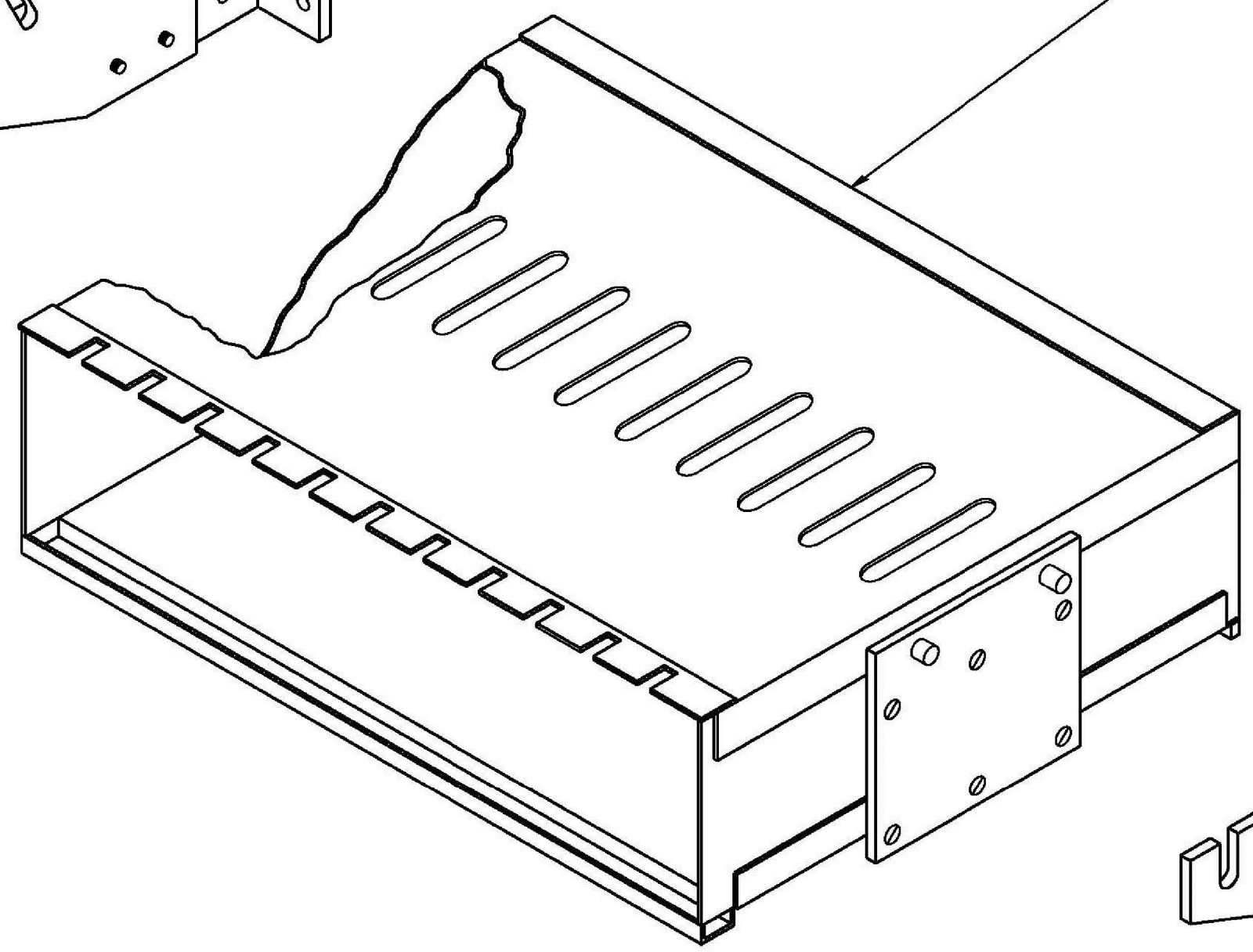


CRADLE



II MODULE MOUNTING FRAME
(FOR II TYPE "A" PLUG-IN TYPE TONE MODULES)



CRADLE

NOTE:

TYPE "A" TONE MODULES ARE PLUG
IN UNIT MEASURING 5-7/32" (132.55 mm) X 1.5" (38.1 mm) X 13-3/4" (349.25 mm)

FILE NAME *	USER NAME * mseg	DESIGNED - R.L.	REVISED - 05/94	STATE OF ILLINOIS DEPARTMENT OF TRANSPORTATION TRAFFIC SYSTEMS CENTER	FIELD MOUNTING FRAME WITH CRADLE ASSEMBLY		F.A. RTE.	SECTION	COUNTY	TOTAL SHEETS	SHEET NO.	
ca\poc\work\poc\dos\mseg\09267541\TSC1Y.dgn	PLLOT SCALE * 1/8"=1'-0" / in.	DRAWN - G.M.	REVISED - 09/96									177
Default	PLLOT DATE * 6/2/2014	CHECKED - R.L.	REVISED -		SCALE: NONE	SHEET	OF	SHEETS	STA.	TO STA.	CONTRACT NO.	
		DATE - 05/21/94	REVISED -								FED. ROAD DIST. NO. ILLINOIS FED. AID PROJECT	

TRAFFIC SYSTEMS CENTER (TY-1TSC-400#6)