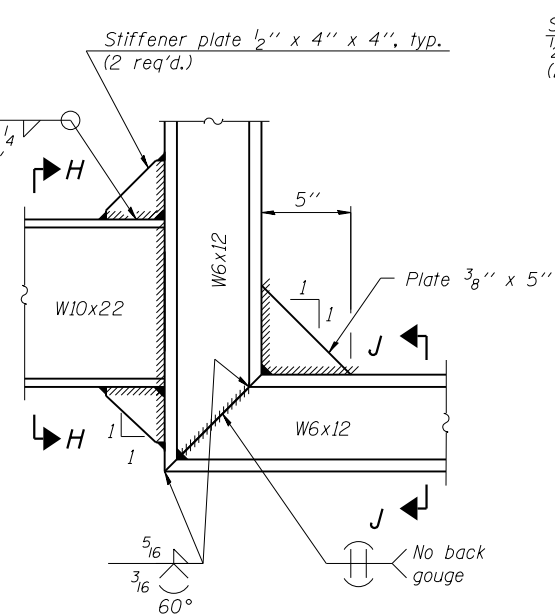
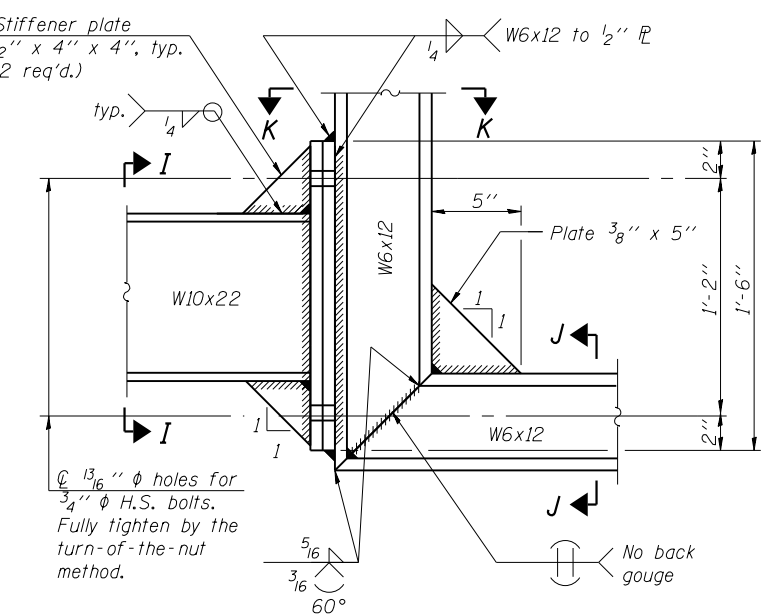


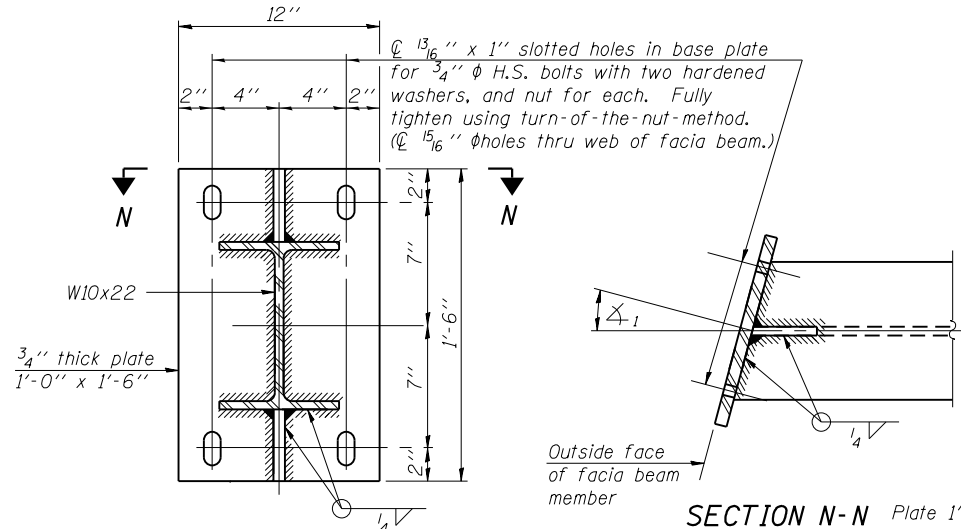
DETAIL A



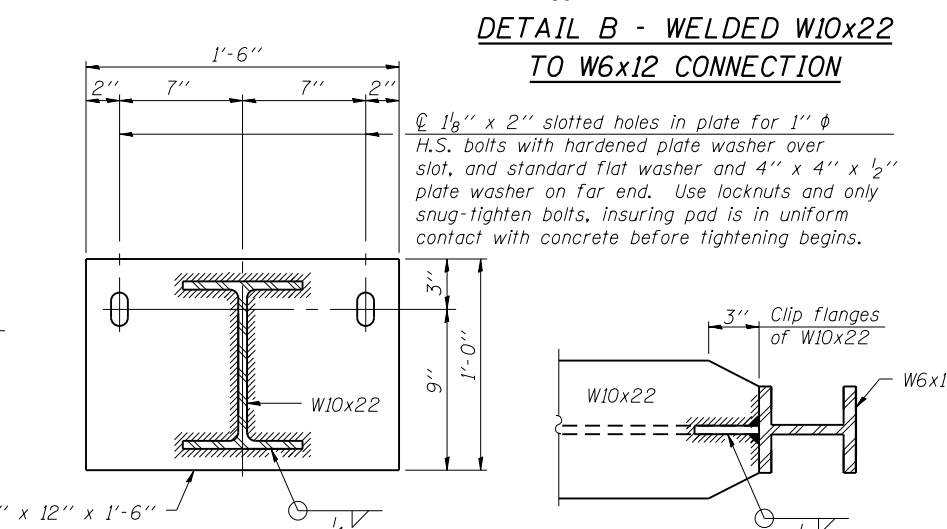
DETAIL B - WELDED W10x22 TO W6x12 CONNECTION



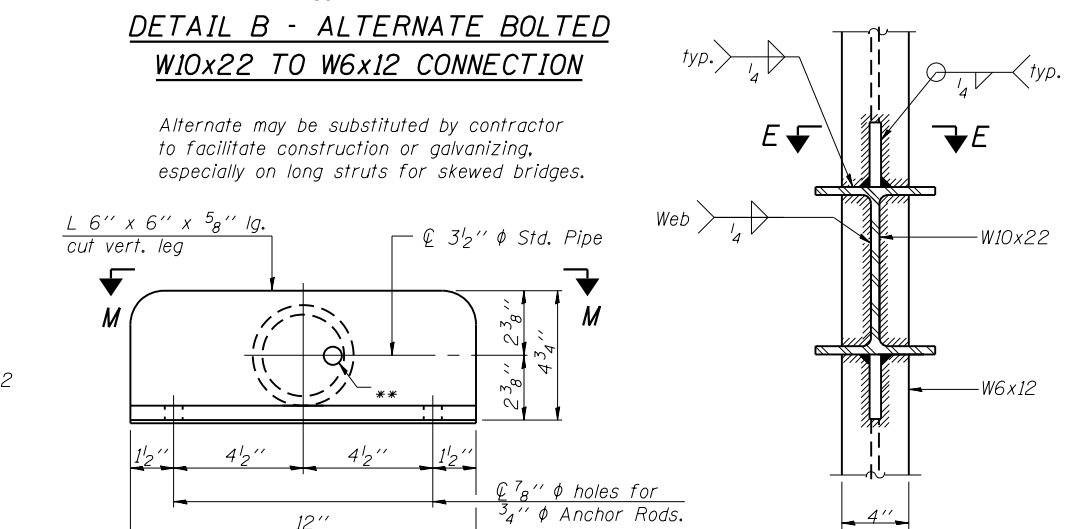
DETAIL B - ALTERNATE BOLTED W10x22 TO W6x12 CONNECTION



SECTION C-C
Steel beam or girder connection plate details

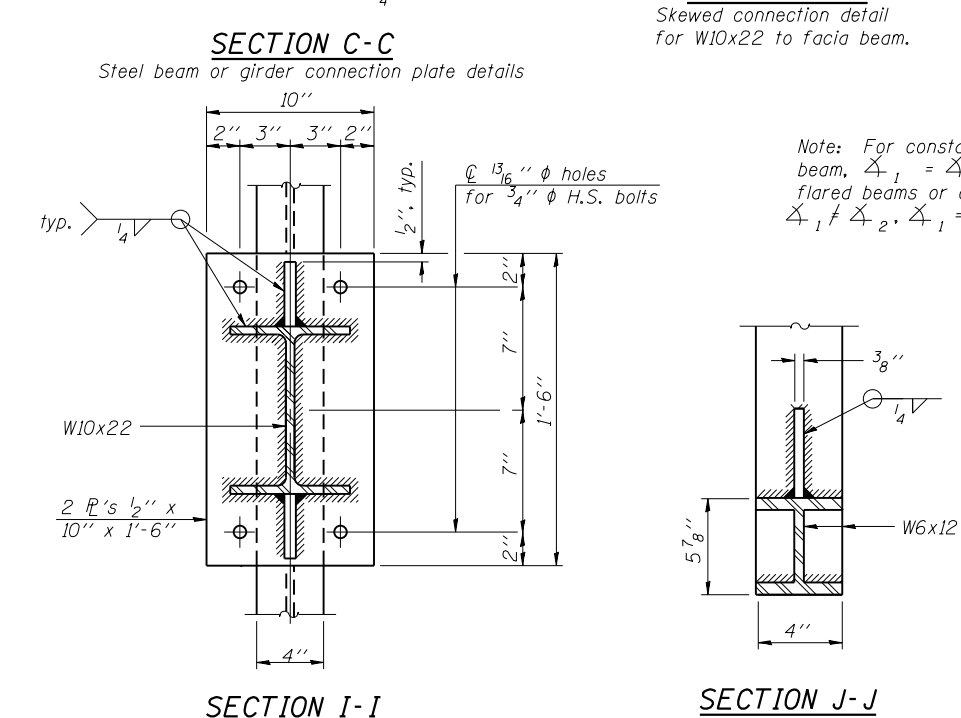


SECTION D-D
Concrete beam or girder connection plate details.



VIEW F-F
** 13/16" phi holes for galvanizing. After galvanizing, install 7/8" phi A307 hot-dip galvanized bolt to close hole in angle. (No bolt required in 1/2" plate.)

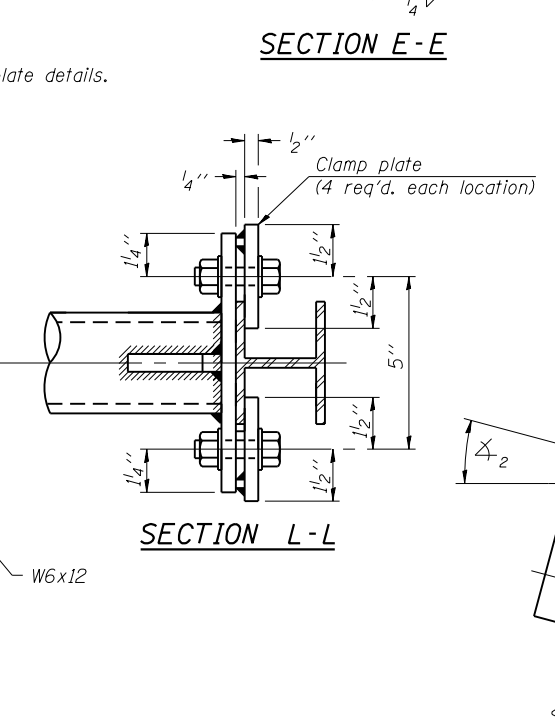
WALKWAY GRATING, WALKWAY SUPPORTS, HANDRAIL AND LIGHTING ARE NOT INCLUDED IN THIS CONTRACT.



SECTION I-I

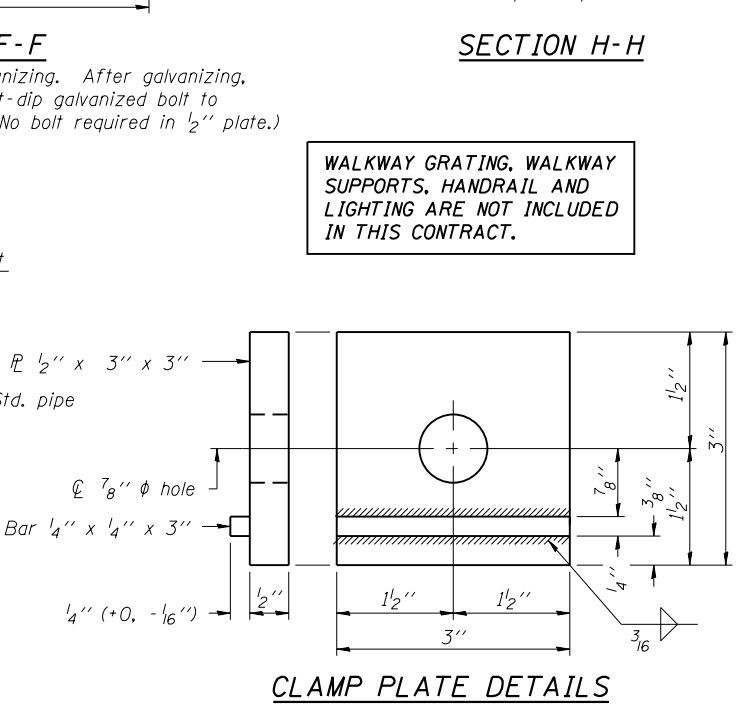
SECTION J-J

SECTION K-K



SECTION L-L

SECTION M-M
Skewed connection detail for 3/2" phi pipe to parapet.



CLAMP PLATE DETAILS

BM-3

6-1-12

LE LIN ENGINEERING, LTD.
Consulting Engineers
Springfield, Illinois

USER NAME =	DESIGNED - JJA	REVISED -
FILE NAME =	CHECKED - TBP	REVISED -
PLOT SCALE =	DRAWN - RPW	REVISED -
PLOT DATE = 06/23/2014	CHECKED - TBP	REVISED -

DESIGNED - JJA	REVISED -
CHECKED - TBP	REVISED -
DRAWN - RPW	REVISED -
CHECKED - TBP	REVISED -

STATE OF ILLINOIS
DEPARTMENT OF TRANSPORTATION

BRIDGE MOUNT SIGN STRUCTURES
CONNECTION DETAILS

SHEET NO. 3 OF 3 SHEETS

F.A.P. RTE.	SECTION	COUNTY	TOTAL SHEETS	SHEET NO.
373	(0707-608&611)HB-B	COOK	177	55
				CONTRACT NO. 60W77

ILLINOIS FED. AID PROJECT