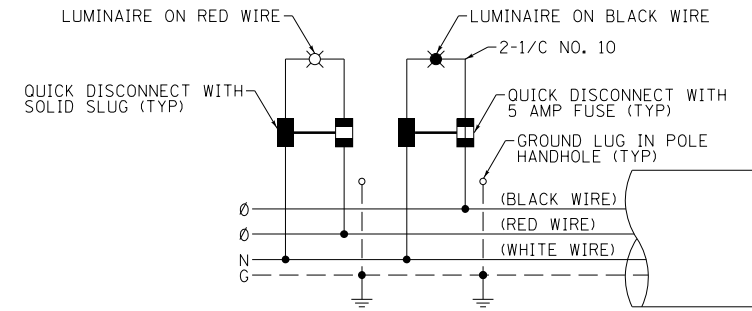
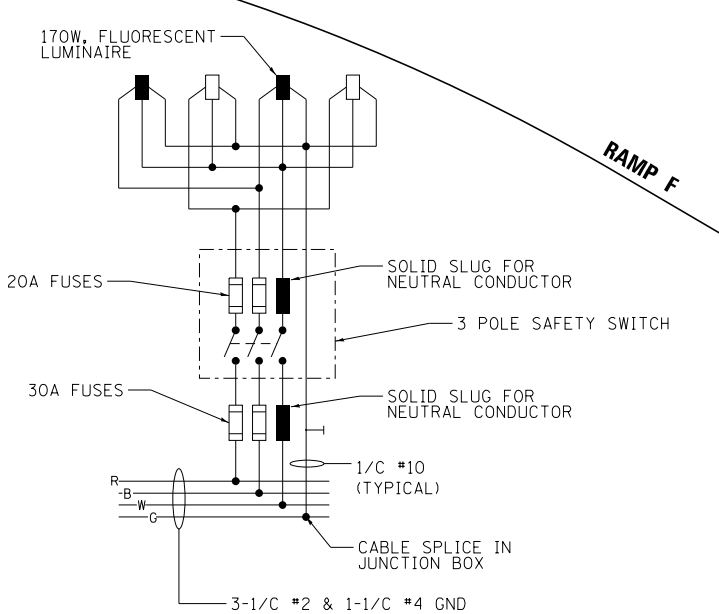
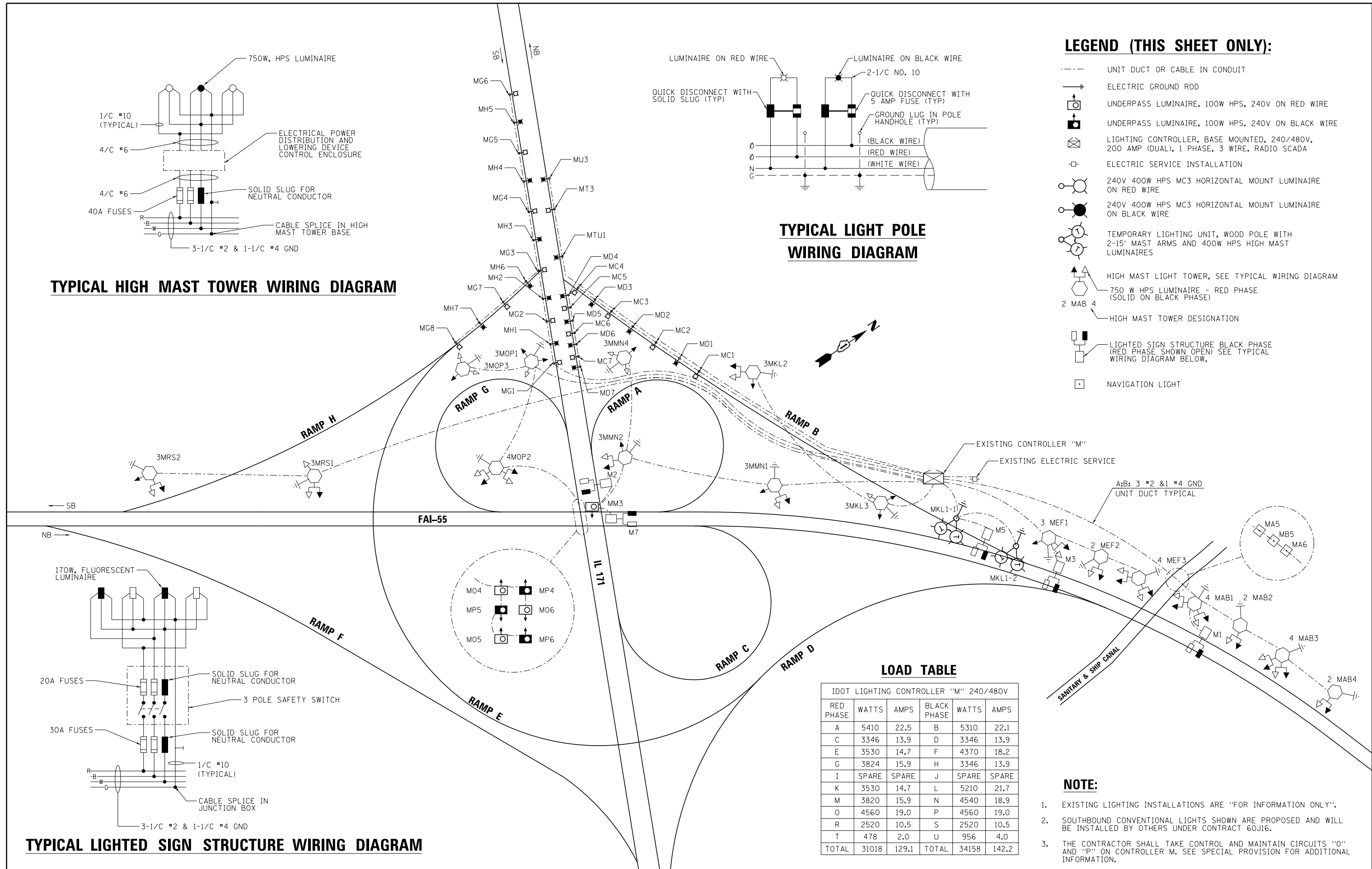


**TYPICAL HIGH MAST TOWER WIRING DIAGRAM**



**TYPICAL LIGHT POLE WIRING DIAGRAM**

- LEGEND (THIS SHEET ONLY):**
- UNIT DUCT OR CABLE IN CONDUIT
  - ⊥ ELECTRIC GROUND ROD
  - ⊠ UNDERPASS LUMINAIRE, 100W HPS, 240V ON RED WIRE
  - ⊠ UNDERPASS LUMINAIRE, 100W HPS, 240V ON BLACK WIRE
  - ⊠ LIGHTING CONTROLLER, BASE MOUNTED, 240/480V, 200 AMP (DUAL), 1 PHASE, 3 WIRE, RADIO SCADA
  - ⊠ ELECTRIC SERVICE INSTALLATION
  - 240V 400W HPS MC3 HORIZONTAL MOUNT LUMINAIRE ON RED WIRE
  - 240V 400W HPS MC3 HORIZONTAL MOUNT LUMINAIRE ON BLACK WIRE
  - TEMPORARY LIGHTING UNIT, WOOD POLE WITH 2-15' MAST ARMS AND 400W HPS HIGH MAST LUMINAIRES
  - ⊠ HIGH MAST LIGHT TOWER, SEE TYPICAL WIRING DIAGRAM
  - 750 W HPS LUMINAIRE - RED PHASE (SOLID ON BLACK PHASE)
  - 2 MAB 4 HIGH MAST TOWER DESIGNATION
  - ⊠ LIGHTED SIGN STRUCTURE BLACK PHASE (RED PHASE SHOWN OPEN) SEE TYPICAL WIRING DIAGRAM BELOW,
  - ⊠ NAVIGATION LIGHT



**TYPICAL LIGHTED SIGN STRUCTURE WIRING DIAGRAM**

**LOAD TABLE**

IDOT LIGHTING CONTROLLER "M" 240/480V					
RED PHASE	WATTS	AMPS	BLACK PHASE	WATTS	AMPS
A	5410	22.5	B	5310	22.1
C	3346	13.9	D	3346	13.9
E	3530	14.7	F	4370	18.2
G	3824	15.9	H	3346	13.9
I	SPARE	SPARE	J	SPARE	SPARE
K	3530	14.7	L	5210	21.7
M	3820	15.9	N	4540	18.9
O	4560	19.0	P	4560	19.0
R	2520	10.5	S	2520	10.5
T	478	2.0	U	956	4.0
TOTAL	31018	129.1	TOTAL	34158	142.2

- NOTE:**
- EXISTING LIGHTING INSTALLATIONS ARE "FOR INFORMATION ONLY".
  - SOUTHBOUND CONVENTIONAL LIGHTS SHOWN ARE PROPOSED AND WILL BE INSTALLED BY OTHERS UNDER CONTRACT 60J16.
  - THE CONTRACTOR SHALL TAKE CONTROL AND MAINTAIN CIRCUITS "O" AND "P" ON CONTROLLER M. SEE SPECIAL PROVISION FOR ADDITIONAL INFORMATION.

FILE NAME =	DESIGNED - GRR	REVISED -
...\\D160W77-sh-1L171-wiring-01.dgn	DRAWN - JW	REVISED -
USER NAME = aelesy	CHECKED - GHT	REVISED -
PLOT DATE = 8/7/2014	DATE - 6/23/2014	REVISED -



STATE OF ILLINOIS  
DEPARTMENT OF TRANSPORTATION

LIGHTING CONTROLLER  
"M" WIRING DIAGRAM

SCALE: SHEET 5 OF 10 SHEETS STA. TO STA.

F.A.P. RTE.	SECTION	COUNTY	TOTAL SHEETS	SHEET NO.
373	(0707-608 & 611)HB-B	COOK	177	60
CONTRACT NO. 60W77				
ILLINOIS FED. AID PROJECT				