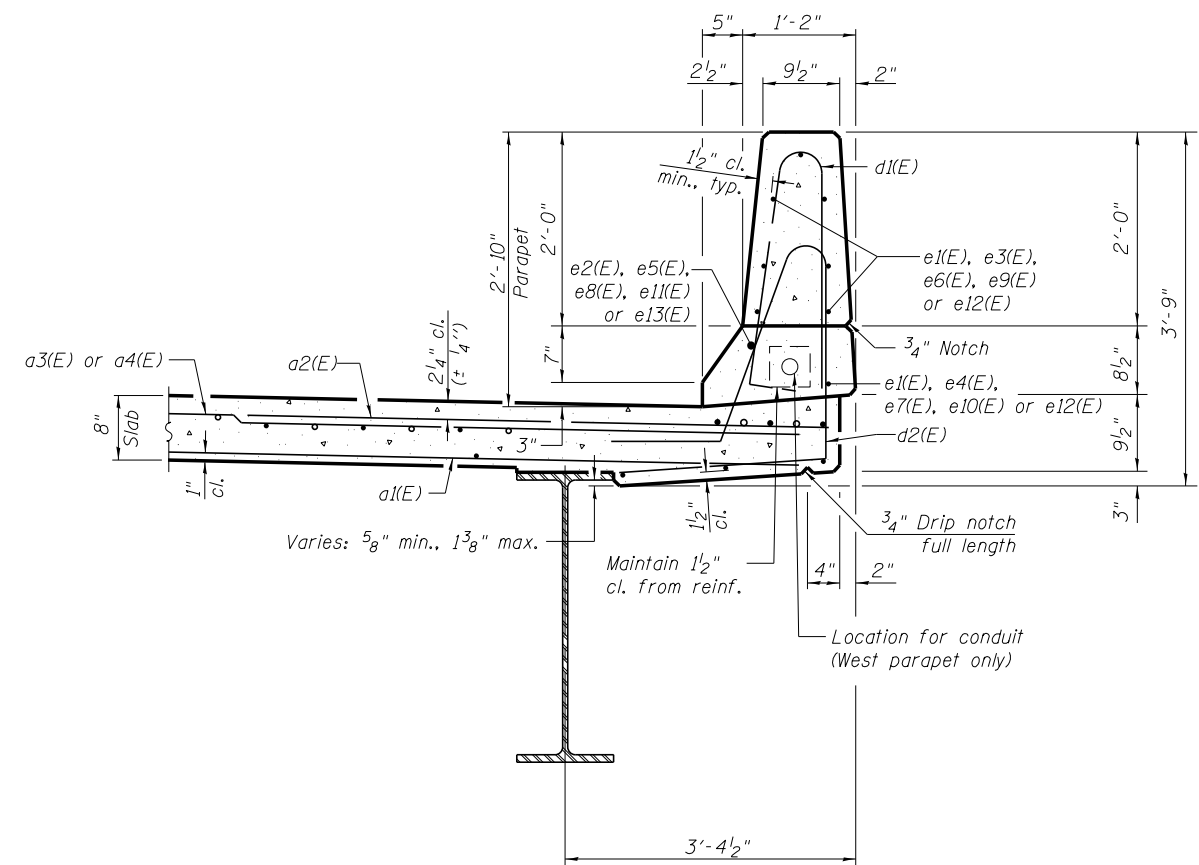


NEAR MIDSPAN

DECK CROSS SECTION
(Looking North)

NEAR PIER



SECTION THRU EAST PARAPET
(West parapet similar)



Alfred Benesch & Company
205 North Michigan Avenue, Suite 2400
Chicago, Illinois 60601
312-565-0450 Job No. 10093

FILE NAME =	USER NAME = ksnider	DESIGNED - DMS	REVISED -
0161510.60W77.013.Deck.Section.dgn		CHECKED - KWS	REVISED -
	PLOT SCALE =	DRAWN - KMS	REVISED -
	PLOT DATE = 6/23/2014	CHECKED - KWS	REVISED -

STATE OF ILLINOIS
DEPARTMENT OF TRANSPORTATION

DECK CROSS SECTION AND DETAILS
STRUCTURE NO. 016-1510

SHEET NO. SA13 OF SA43 SHEETS

F.A.P. RTE.	SECTION	COUNTY	TOTAL SHEETS	SHEET NO.
373	(0707-608&611)HB-B	COOK	177	78
CONTRACT NO. 60W77			ILLINOIS FED. AID PROJECT	

X:\10000S\10093\Eng-Docs\Phase-11\SN-016-1510-1511-1st_Ave_cover-155\Final\1510_Final\0161510_60W77-013_Deck-Section.dgn 10:53:14 AM 6/23/2014