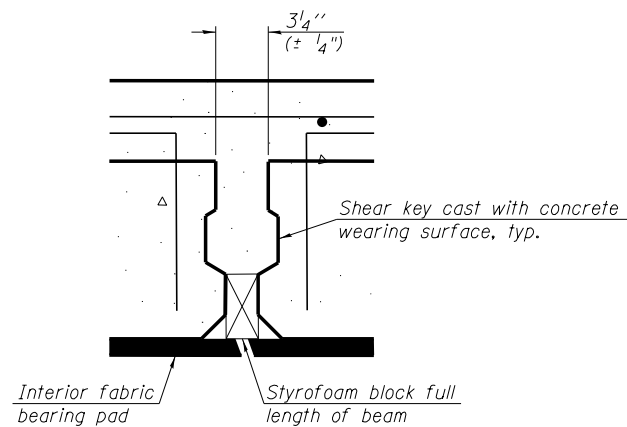
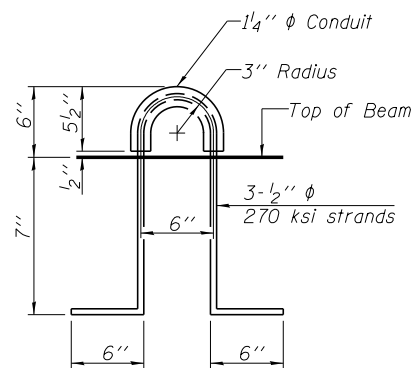


INTERIOR
EXTERIOR
FABRIC BEARING PAD

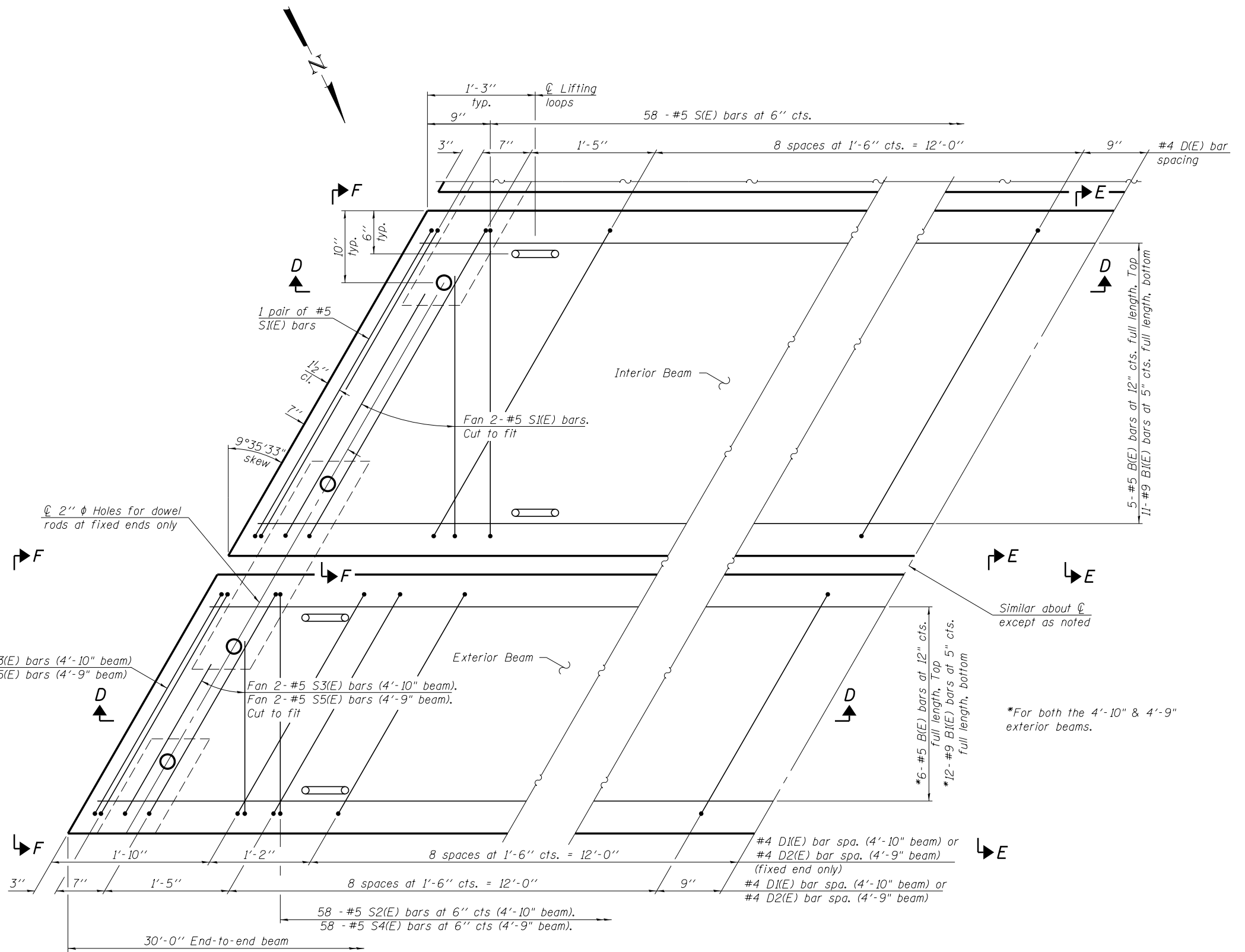
Notes:
All bearing pads shall be 1/2" thick.
Omit holes for fabric bearing pads at approach slab footing end of beams.
Expansion bearing pad shall be bonded to the approach slab footing.



SECTION THRU SHEAR KEY JOINT



LIFTING LOOP DETAIL



PLAN VIEW

(showing precast bridge approach beams)

(Sheet 3 of 4)

benesch
engineers - scientists - planners
Alfred Benesch & Company
205 North Michigan Avenue, Suite 2400
Chicago, Illinois 60601
312-565-0450 Job No. 10093

| | | | |
|---|---------------------|----------------|-----------|
| FILE NAME = | USER NAME = ksnyder | DESIGNED - SLV | REVISED - |
| 0161510.60W77.019_SApproach_Details.2.dgn | | CHECKED - JHG | REVISED - |
| | | DRAWN - SLV | REVISED - |
| | | CHECKED - JHG | REVISED - |
| | | | |

STATE OF ILLINOIS
DEPARTMENT OF TRANSPORTATION

SOUTH PRECAST APPROACH SLAB DETAILS (2 OF 3)
STRUCTURE NO. 016-1510

SHEET NO. SA19 OF SA43 SHEETS

| | | | | |
|--------------------|--------------------|--------|---------------------------|-----------|
| F.A.P. RTE. | SECTION | COUNTY | TOTAL SHEETS | SHEET NO. |
| 373 | (0707-608&611)HB-B | COOK | 177 | 84 |
| CONTRACT NO. 60W77 | | | ILLINOIS FED. AID PROJECT | |