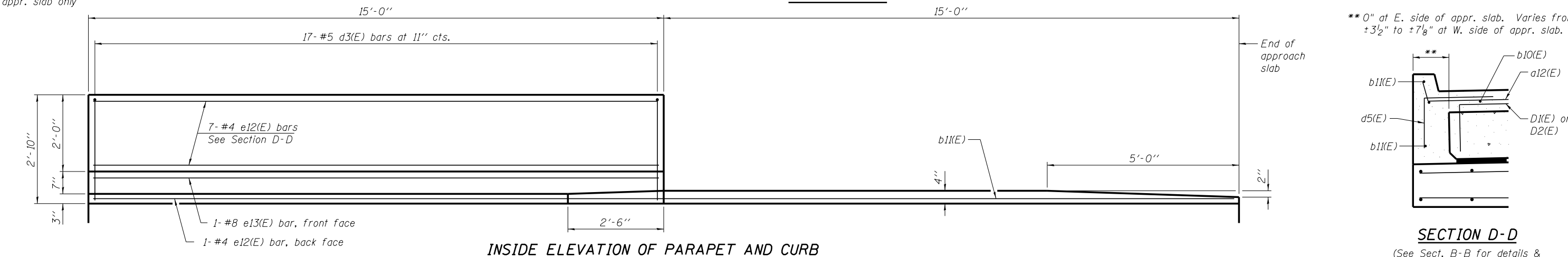
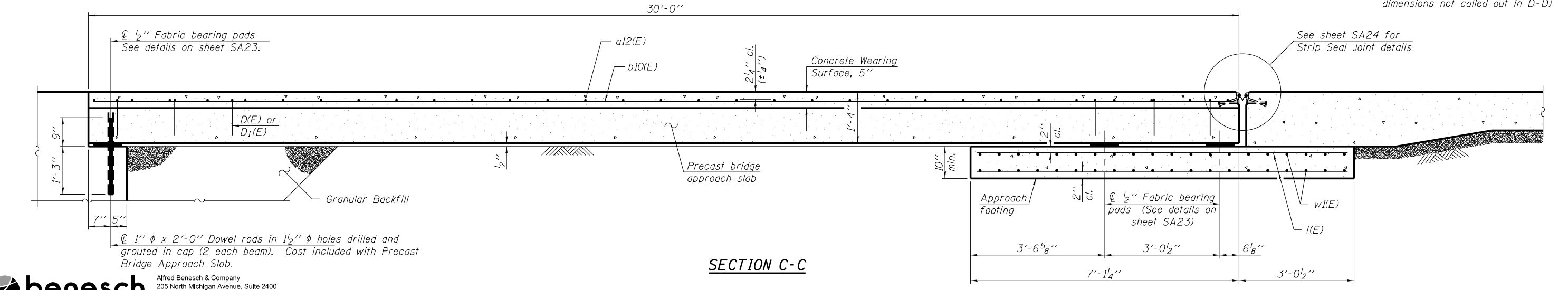
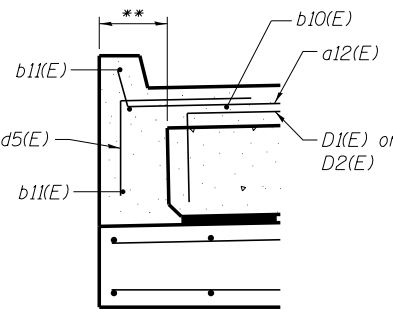


\*Varies from 8" @ abut. to ±11 1/2"  
 @ end of parapet, W. side of  
 appr. slab only



\*\*0" at E. side of appr. slab. Varies from  
 ±3 1/2" to ±7 1/8" at W. side of appr. slab.



**benesch**  
 engineers - scientists - planners  
 Alfred Benesch & Company  
 205 North Michigan Avenue, Suite 2400  
 Chicago, Illinois 60601  
 312-565-0450 Job No. 10093

FILE NAME =	USER NAME = ksnyder	DESIGNED - SLV	REVISED -
0161510.60W77.022.NApproach-Details.dgn		CHECKED - JHG	REVISED -
		DRAWN - SLV	REVISED -
		CHECKED - JHG	REVISED -

**STATE OF ILLINOIS**  
**DEPARTMENT OF TRANSPORTATION**

**NORTH PRECAST APPROACH SLAB DETAILS (1 OF 3)**  
**STRUCTURE NO. 016-1510**

F.A.P. RTE.	SECTION	COUNTY	TOTAL SHEETS	SHEET NO.
373	(0707-608&611)HB-B	COOK	177	87
CONTRACT NO. 60W77			ILLINOIS FED. AID PROJECT	

(Sheet 2 of 4)

SHEET NO. SA22 OF SA43 SHEETS

X:\100000\S\10093\Eng-Docs-Phase-11\SN-016-1510-1511-1st-Ave-over-155\Final\1510-Final\0161510-60W77-022-NApproach-Details.dgn  
 10:55:25 AM  
 6/23/2014