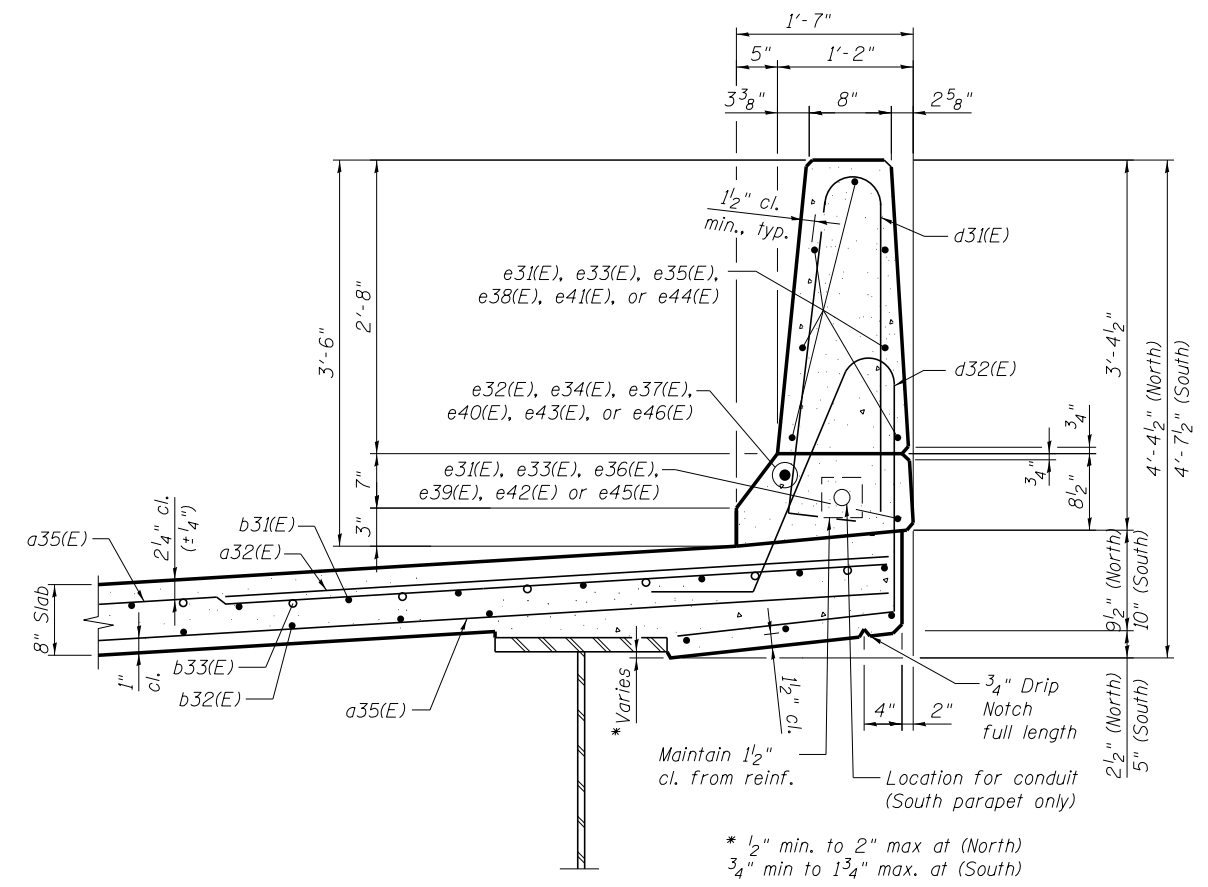


DECK CROSS SECTION
(Looking East)

OVER MIDSPAN OF SPANS 1 & 3

OVER PIERS & SPAN 2



SECTION THRU SOUTH PARAPET
(North parapet similar)

benesch
engineers · scientists · planners

Alfred Benesch & Company
205 North Michigan Avenue, Suite 2400
Chicago, Illinois 60601
312-565-0450 Job No. 10093

FILE NAME =	USER NAME = ksnider	DESIGNED - JHG	REVISED -
0161512.60W77.011.Deck_Section.dgn		CHECKED - KWS	REVISED -
	PLOT SCALE =	DRAWN - KMS	REVISED -
	PLOT DATE = 6/23/2014	CHECKED - KWS	REVISED -

STATE OF ILLINOIS
DEPARTMENT OF TRANSPORTATION

DECK CROSS SECTION AND DETAILS
STRUCTURE NO. 016-1512

SHEET NO. SB11 OF SB43 SHEETS

F.A.P. RTE.	SECTION	COUNTY	TOTAL SHEETS	SHEET NO.
373	(0707-608&611)HB-B	COOK	177	127
CONTRACT NO. 60W77			ILLINOIS FED. AID PROJECT	

X:\10000S\10093\Eng-Docs\Phase-11\SN-016-1512-SB-1st-Ave.-to-NB-155-over-155\Final\0161512-60W77-011-Deck_Section.dgn 10:35:58 AM 6/23/2014