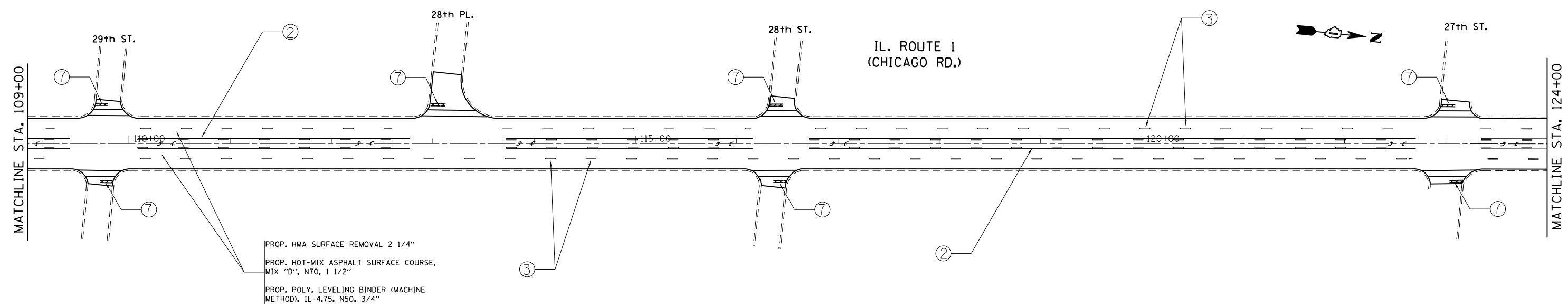


PROP. HMA SURFACE REMOVAL 2 1/4"
 PROP. HOT-MIX ASPHALT SURFACE COURSE,
 MIX "D", N70, 1 1/2"
 PROP. POLY. LEVELING BINDER (MACHINE
 METHOD), IL-4.75, N50, 3/4"

PAVEMENT MARKING LEGEND

- ① THPL PAVT MK, 4" DOUBLE YELLOW LINE, 11" C-C (TYP.)
- ② THPL PAVT MK, 4" YELLOW LINE (TYP.)
- ③ THPL PAVT MK, 4" SKIP DASH LINE (30' SKIP 10' DASH) (TYP.)
- ④ THPL PAVT MK, 6" WHITE LINE (TYP.)
- ④A THPL PAVT MK, 6" DOTTED LINE (TYP.)
- ⑤ THPL PAVT MK, 6" CROSSWALK (TYP.)
- ⑤A THPL PAVT MK, 12" SCHOOL CROSSWALK (TYP.)
- ⑥ THPL PAVT MK, 12" YELLOW DIAGONAL LINE (TYP.)
- ⑦ THPL PAVT MK, 24" WHITE STOP BAR (TYP.)
- ⑧ THPL PAVT MK, LETTERS & SYMBOLS (TYP.)



PROP. HMA SURFACE REMOVAL 2 1/4"
 PROP. HOT-MIX ASPHALT SURFACE COURSE,
 MIX "D", N70, 1 1/2"
 PROP. POLY. LEVELING BINDER (MACHINE
 METHOD), IL-4.75, N50, 3/4"

FILE NAME =	USER NAME = Bakerom	DESIGNED -	REVISED -
ei:\pw\work\p\midot\bakerom\d0353169\0141813-sh1-plen.dgn		DRAWN -	REVISED -
Default	PLOT SCALE = 100.0000' / in.	CHECKED -	REVISED -
	PLOT DATE = 6/13/2014	DATE -	REVISED -

**STATE OF ILLINOIS
 DEPARTMENT OF TRANSPORTATION**

**ROADWAY AND PAVEMENT MARKING PLAN
 IL. ROUTE 1/CHICAGO RD. (JOE ORR RD. TO UNION AVE.)**
 SCALE: 1"=50' SHEET OF SHEETS STA. TO STA.

F.A.U. RTE.	SECTION	COUNTY	TOTAL SHEETS	SHEET NO.
2860	(161Y-1&H) RS-4	WILL/COOK	34	10
CONTRACT NO. 60X03			ILLINOIS FED. AID PROJECT	