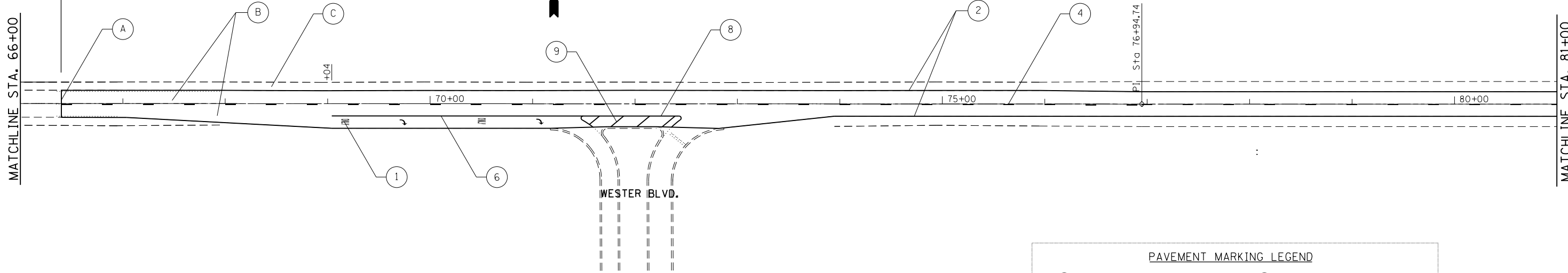


MATCHLINE STA. 66+00

IMPROVEMENT BEGINS  
STA. 66 + 40

IL. 72 (HIGGINS RD.)

MATCHLINE STA. 81+00



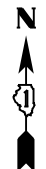
**ROADWORK LEGEND**

- (A) HMA SURFACE REMOVAL  
BUTT JOINT, 4.5' (TYP.)
- (B) PROP. HMA SURFACE COURSE, MIX "D", N70, 1 1/2"  
PROP. POLY. LEVELING BINDER (MACHINE METHOD), IL-4.75, N50, 3/4"  
PROP. HMA SURFACE REMOVAL 2 1/4"
- (C) PROP. 3' AGGR. WEDGE SHLDR (TYP.)  
PROP. GRADING AND SHAPING OF SHLDRS (TYP.)

**PAVEMENT MARKING LEGEND**

- (1) PROP. 8" WHITE THERMO. PVT. MRK.  
LETTERS AND SYMBOLS (TYP.)
- (2) PROP. THERMO. PVT. MRK.-4"  
EDGE LINE, SOLID WHITE (TYP.)
- (3) PROP. THERMO. PVT. MRK.-4"  
YELLOW NO PASSING ZONE LINE (TYP.)
- (4) PROP. THERMO. PVT. MRK.-4"  
SKIP-DASH, SINGLE YELLOW (TYP.)
- (5) PROP. THERMO. PVT. MRK.-4"  
CENTERLINE, DOUBLE YELLOW (TYP.)
- (6) PROP. THERMO. PVT. MRK.-6"  
SOLID LINE, WHITE (TYP.)
- (7) PROP. THERMO. PVT. MRK.-6"  
DOTTED LINE, WHITE (TYP.)
- (8) PROP. THERMO. PVT. MRK.-8"  
GORE BORDER LINE, WHITE (TYP.)
- (9) PROP. THERMO. PVT. MRK.-12"  
DIAGONAL, WHITE (TYP.)
- (10) PROP. THERMO. PVT. MRK.-12"  
MEDIAN DIAGONAL, YELLOW (TYP.)
- (11) PROP. THERMO. PVT. MRK.-24"  
STOP LINE, WHITE (TYP.)

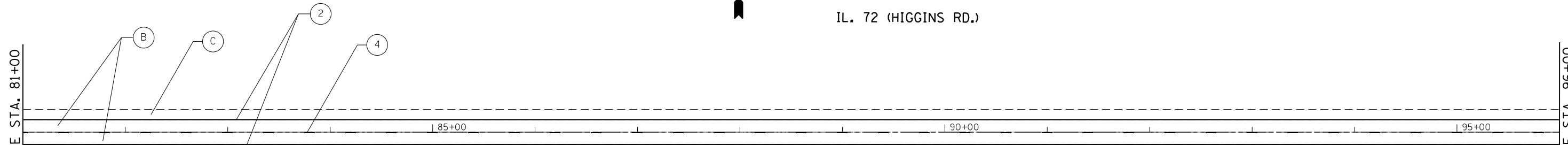
NOTE:  
ALL FINAL PAVEMENT MARKINGS SHALL BE PLACED IN ACCORDANCE WITH  
DISTRICT ONE TYPICAL PAVEMENT MARKINGS (TC-13) DETAIL.



IL. 72 (HIGGINS RD.)

MATCHLINE STA. 81+00

MATCHLINE STA. 96+00



FILE NAME = c:\pwwork\pwwork\paraynoal\0402259\01	USER NAME = paraynoal 3414-shr-plan.dgn	DESIGNED - DRAWN -	REVISED - REVISED -
Default	PLOT SCALE = 100.0000' / in. PLOT DATE = 7/16/2014	CHECKED - DATE -	REVISED - REVISED -

**STATE OF ILLINOIS  
DEPARTMENT OF TRANSPORTATION**

**IL ROUTE 72 (US 20 - I-90)  
ROADWAY AND PAVEMENT MARKING PLAN**

SCALE: SHEET OF SHEETS STA. TO STA.

F.A.P. RTE.	SECTION	COUNTY	TOTAL SHEETS	SHEET NO.
341	109RS-4	KANE	29	6
CONTRACT NO. 60Y62				
ILLINOIS FED. AID PROJECT				