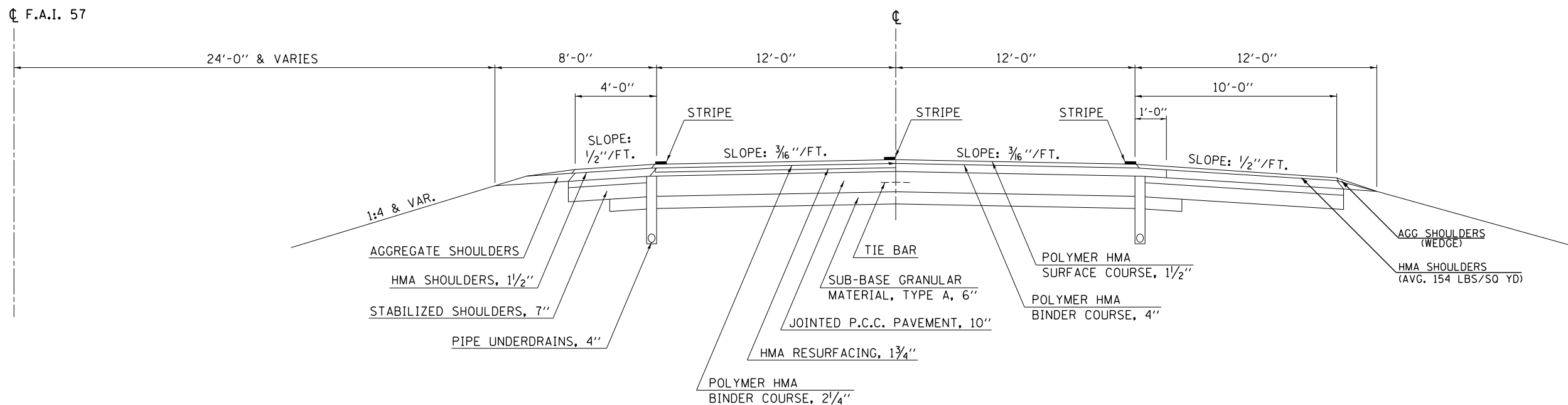


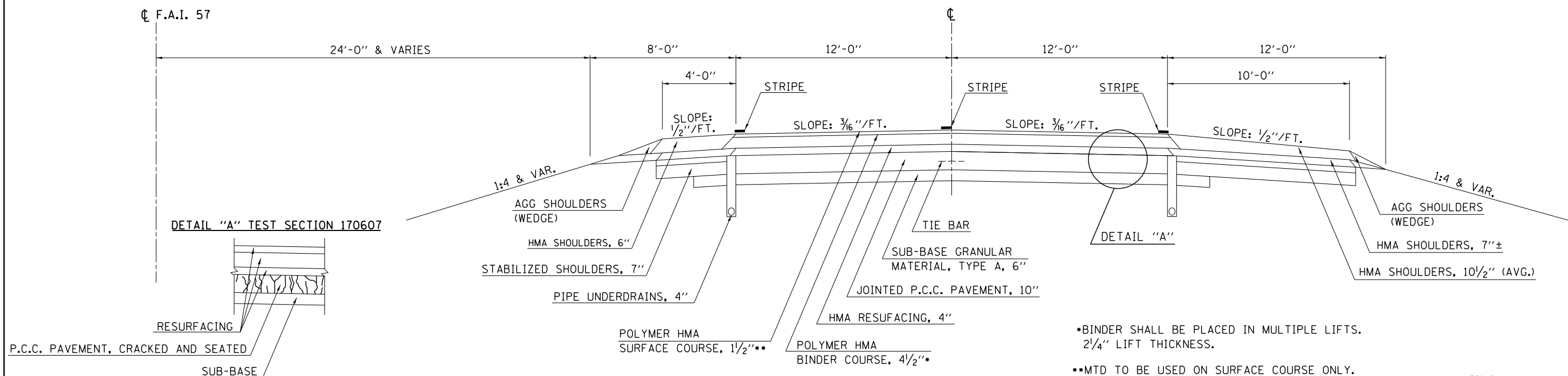
9 EXISTING TYPICAL CROSS SECTION F.A.I. 57

STATION TO STATION
⑦ 284+74.00 305+82.00 (N. B.) ⑦



10 EXISTING TYPICAL CROSS SECTION F.A.I. 57

STATION TO STATION
⑦ 312+00.00 323+95.00 (N. B.) ⑩



FILE NAME =	USER NAME = gorees	DESIGNED -	REVISED -
ct:\pw\work\p\dot\gorees\d0400102\0570A01-sht-typical.dgn		DRAWN -	REVISED -
		CHECKED -	REVISED -
		DATE -	REVISED -
#MODELNAME#	PLOT DATE = 6/26/2014		

STATE OF ILLINOIS
DEPARTMENT OF TRANSPORTATION

TYPICAL CROSS SECTIONS

SCALE: SHEET 5 OF 18 SHEETS STA. TO STA.

F.A.I. RTE.	SECTION	COUNTY	TOTAL SHEETS	SHEET NO.
•	D5 CM PATCHING 2015-2	••	32	14
			CONTRACT NO. 70A81	
ILLINOIS FED. AID PROJECT				