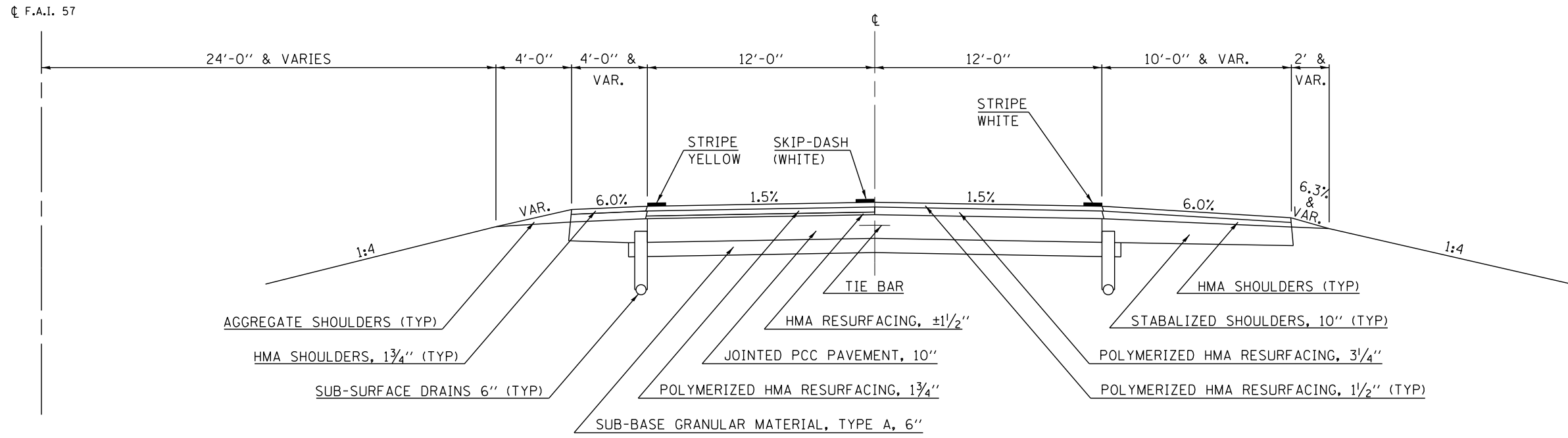


# EXISTING TYPICAL SECTION 15

F.A.I. 57

LOCATION MAP #2

STATION I0 STATION  
 ⑬ 401+15.77 492+69.23 ⑯  
 ⑰ 522+00.92 545+00.00 ⑱

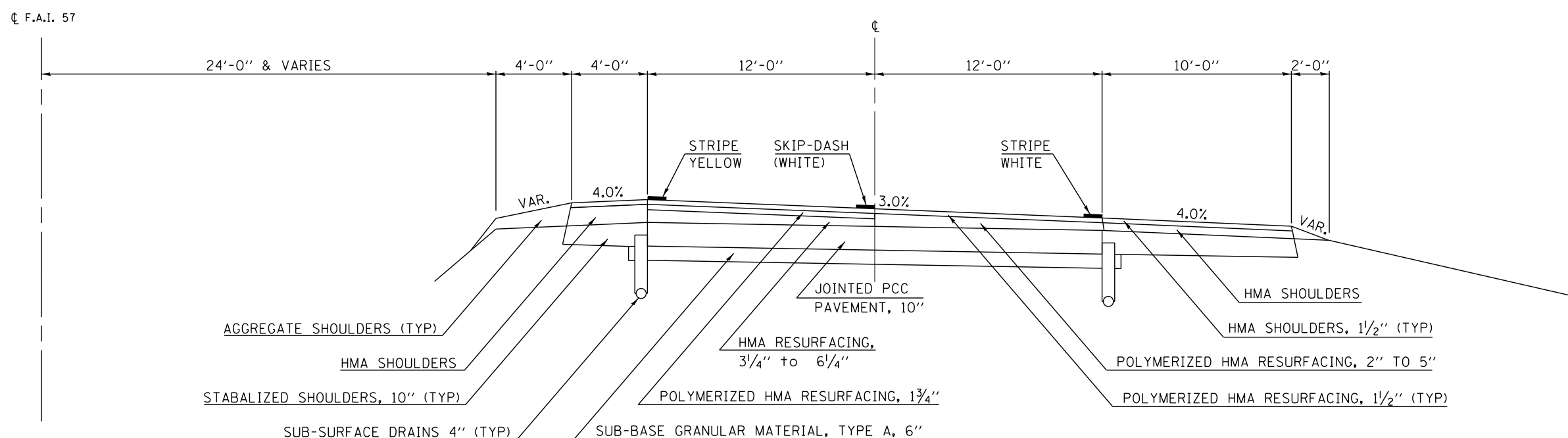


# EXISTING TYPICAL SECTION 16

F.A.I. 57

LOCATION MAP #2

STATION I0 STATION  
 ⑮ 492+69.23 522+00.92 ⑰



FILE NAME =	USER NAME = gorees	DESIGNED -	REVISED -
ct:\pw\work\p\dot\gorees\d0400102\0570A011-sht-typical.dgn		DRAWN -	REVISED -
	PLOT SCALE = 40.0000' / in.	CHECKED -	REVISED -
#MODELNAME#	PLOT DATE = 6/26/2014	DATE -	REVISED -

**STATE OF ILLINOIS  
DEPARTMENT OF TRANSPORTATION**

**TYPICAL CROSS SECTIONS**

SCALE: SHEET 8 OF 18 SHEETS STA. TO STA.

F.A.I. RTE.	SECTION	COUNTY	TOTAL SHEETS	SHEET NO.
•	D5 CM PATCHING 2015-2	VARIOUS	32	17
			CONTRACT NO. 70A81	
ILLINOIS FED. AID PROJECT				