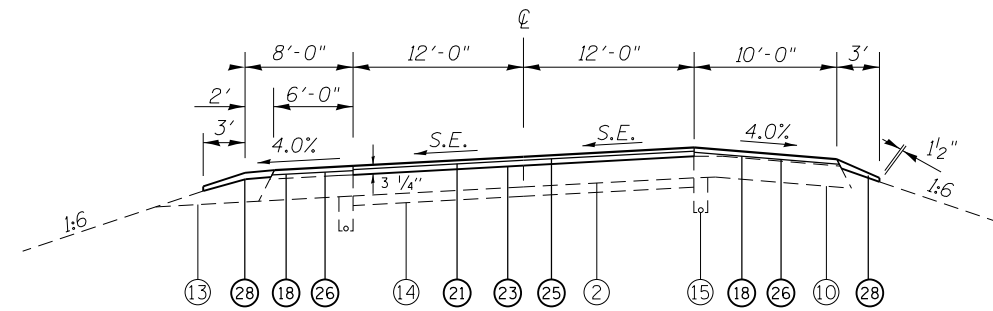


TYPICAL #11

'RDWY F'
STA 46+30.87 TO STA 37+95.69 TS 12 RDWY-F



TYPICAL #12

'RDWY B'
STA 2+75.00 TO STA 15+56.96 TS 14 RDWY-B

LEGEND

- | | | |
|---|---|---|
| ① EX PCC CONC PAVEMENT - 8" | ⑪ EX HOT MIX ASPHALT SHOULDER - 9" | ⑲ PR HOT MIX ASPHALT SURFACE REMOVAL, 2" |
| ② EX CRC PAVEMENT - 8" | ⑫ EX HOT MIX ASPHALT SHOULDER - 12 1/4" | ⑳ PR HOT MIX ASPHALT SURFACE REMOVAL, 2 1/2" |
| ③ EX CRC PAVEMENT - 9" | ⑬ EX AGGREGATE SHOULDER | ㉑ PR HOT MIX ASPHALT SURFACE REMOVAL, 3/4" |
| ④ EX CRC PAVEMENT - 11" | ⑭ EX STABILIZED SUBBASE - 4" | ㉒ PR HOT MIX ASPHALT SURFACE REMOVAL, 4 3/4" |
| ⑤ EX HOT MIX ASPHALT | ⑮ EX PIPE UNDERDRAINS | ㉓ PR POLY HOT MIX ASPHALT BINDER COURSE, IL-19.0, FG, N90, (2 1/4") |
| ⑥ EX SUBBASE GRANULAR MATERIAL, TY B - 12" | ⑯ EX PAVEMENT (BURIED) | ㉔ PR POLY HOT MIX ASPHALT BINDER COURSE, IL-19.0, FG, N90, (3 1/4") |
| ⑦ EX HOT MIX ASPHALT PAVEMENT - 3 1/4" | | ㉕ PR POLY HOT MIX ASPHALT SURFACE COURSE, MIX "E", N90, (1 1/2") |
| ⑧ EX HOT MIX ASPHALT PAVEMENT - 2 1/2" | | ㉖ PR HOT MIX ASPHALT SHOULDERS (MIX "C", N50), (2") |
| ⑨ EX HOT MIX ASPHALT SHOULDER, VARIABLE DEPTH | | ㉗ PR HOT MIX ASPHALT SHOULDERS, 8" |
| ⑩ EX HOT MIX ASPHALT SHOULDER - 8" | | ㉘ PR AGGREGATE WEDGE SHOULDER, TYPE B |
| | | ㉙ PR PIPE UNDERDRAINS, 4" |
| | | ㉚ PR PIPE UNDERDRAINS, 4" (MODIFIED) |

NOTES:

- MATCH EXISTING SUPERELEVATION SLOPES ON RAMPS.
- LOW SIDE SHOULD BE 4.0% WHEN SE OF PAVEMENT IS BETWEEN 0.0% AND 4.0%. WHEN PAVEMENT IS GREATER THAN 4.0%, SHOULDER SLOPE SHALL MATCH SE. HIGH SIDE SHOULDER SHALL BE SLOPED AT 4.0% WHEN PAVEMENT IS BETWEEN 0.0% AND 4.0%. WHEN PAVEMENT IS GREATER THAN 4.0%, SHOULDER SHALL BE SLOPED SO THE ALGEBRAIC DIFFERENCE DOES NOT EXCEED 8.0%.
- CONTINUOUS RUMBLE STRIPS, AS DETAILED ON STANDARD 642001, SHALL BE CONSTRUCTED ON ALL MAINLINE SHOULDERS EXCEPT WHERE NOTED ON STANDARD AND MEDIAN CROSS OVER DETAIL.

FILE NAME =	USER NAME = sparksgw	DESIGNED -	REVISED -	STATE OF ILLINOIS DEPARTMENT OF TRANSPORTATION	F.A.I. ROUTE 55 TYPICAL SECTIONS			F.A.I. RTE.	SECTION	COUNTY	TOTAL SHEETS	SHEET NO.	
Default	Plot Scale = 100.0000' / 1in.	CHECKED -	REVISED -		SCALE:	SHEET 6	OF	SHEETS	STA.	TO STA.	LOGAN	108	30
	PLOT DATE = Jul-14-2014 03:37:03PM	DATE -	REVISED -					CONTRACT NO. 72D41			ILLINOIS FED. AID PROJECT		
								(54-4,54-5)RS-3, (54-6)RS-2			55/155		