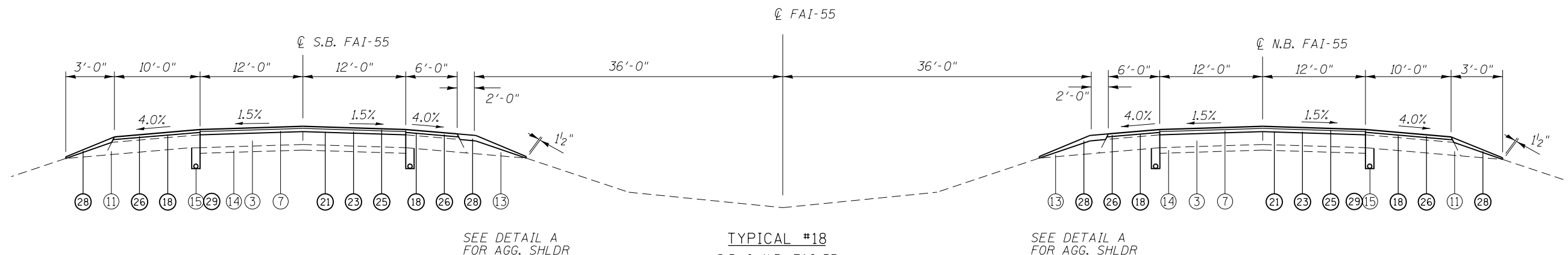


TYPICAL #17

NB 469+76.35 TO STA. 471+31.21
SB 469+41.09 TO STA. 471+02.21

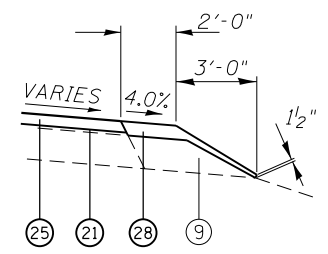


TYPICAL #18

S.B. & N.B. FAI-55
STA. 429+92.22 TO STA. 453+88.01
STA. 477+74.85 TO STA. 513+89.55
STA. 539+22.87 TO STA. 549+92.23

NOTES:

- SEE "SUPERELEVATION TRANSITION DETAILS" FOR S.E. TABLE.
- LOW SIDE SHOULD BE 4.0% WHEN SE OF PAVEMENT IS BETWEEN 0.0% AND 4.0%. WHEN PAVEMENT IS GREATER THAN 4.0%, SHOULDER SLOPE SHALL MATCH SE. HIGH SIDE SHOULDER SHALL BE SLOPED AT 4.0% WHEN PAVEMENT IS BETWEEN 0.0% AND 4.0%. WHEN PAVEMENT IS GREATER THAN 4.0%, SHOULDER SHALL BE SLOPED SO THE ALGEBRAIC DIFFERENCE DOES NOT EXCEED 8.0%.
- CONTINUOUS RUMBLE STRIPS, AS DETAILED ON STANDARD 642001, SHALL BE CONSTRUCTED ON ALL MAINLINE SHOULDERS EXCEPT WHERE NOTED ON STANDARD AND MEDIAN CROSS OVER DETAIL.



LEGEND

- | | |
|---|--|
| ① EX PCC CONC PAVEMENT - 8" | ①⑦ PR HOT MIX ASPHALT SURFACE REMOVAL, 3/4" |
| ② EX CRC PAVEMENT - 8" | ①⑧ PR HOT MIX ASPHALT SURFACE REMOVAL, 1/2" |
| ③ EX CRC PAVEMENT - 9" | ①⑨ PR HOT MIX ASPHALT SURFACE REMOVAL, 2" |
| ④ EX CRC PAVEMENT - 11" | ①⑩ PR HOT MIX ASPHALT SURFACE REMOVAL, 2 1/2" |
| ⑤ EX HOT MIX ASPHALT | ①⑪ PR HOT MIX ASPHALT SURFACE REMOVAL, 3 1/4" |
| ⑥ EX SUBBASE GRANULAR MATERIAL, TY B - 12" | ①⑫ PR HOT MIX ASPHALT SURFACE REMOVAL, 4 3/4" |
| ⑦ EX HOT MIX ASPHALT PAVEMENT - 3 1/4" | ①⑬ PR POLY HOT MIX ASPHALT BINDER COURSE, IL-19.0, FG, N90, (2 1/4") |
| ⑧ EX HOT MIX ASPHALT PAVEMENT - 2 1/2" | ①⑭ PR POLY HOT MIX ASPHALT BINDER COURSE, IL-19.0, FG, N90, (3 1/4") |
| ⑨ EX HOT MIX ASPHALT SHOULDER, VARIABLE DEPTH | ①⑮ PR POLY HOT MIX ASPHALT SURFACE COURSE, MIX "E", N90, (1 1/2") |
| ⑩ EX HOT MIX ASPHALT SHOULDER - 8" | ①⑯ PR HOT MIX ASPHALT SHOULDERS (MIX "C", N50), (2") |
| ⑪ EX HOT MIX ASPHALT SHOULDER - 9" | ①⑰ PR HOT MIX ASPHALT SHOULDERS, 8" |
| ⑫ EX HOT MIX ASPHALT SHOULDER - 12 1/4" | ①⑱ PR AGGREGATE WEDGE SHOULDER, TYPE B |
| ⑬ EX AGGREGATE SHOULDER | ①⑲ PR PIPE UNDERDRAINS, 4" |
| ⑭ EX STABILIZED SUBBASE - 4" | ①⑳ PR PIPE UNDERDRAINS, 4" (MODIFIED) |
| ⑮ EX PIPE UNDERDRAINS | |
| ⑯ EX PAVEMENT (BURIED) | |