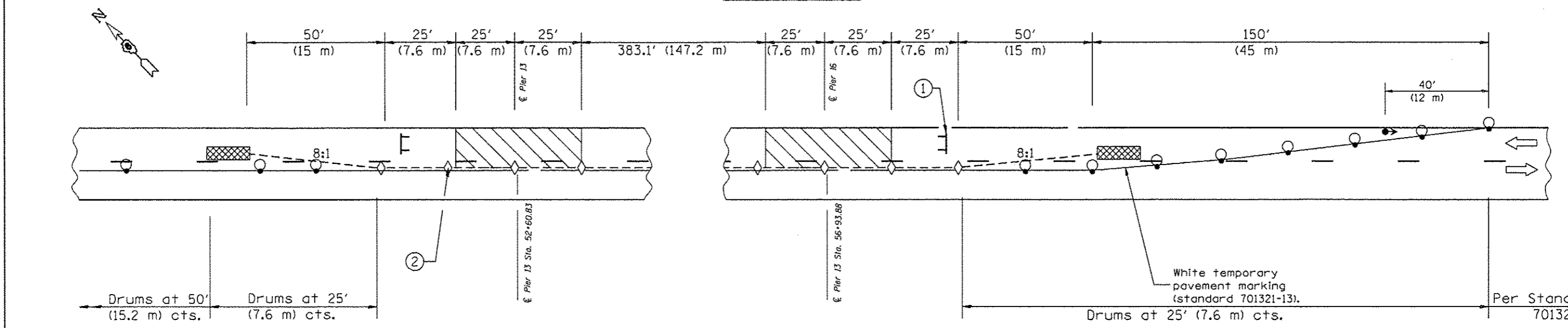
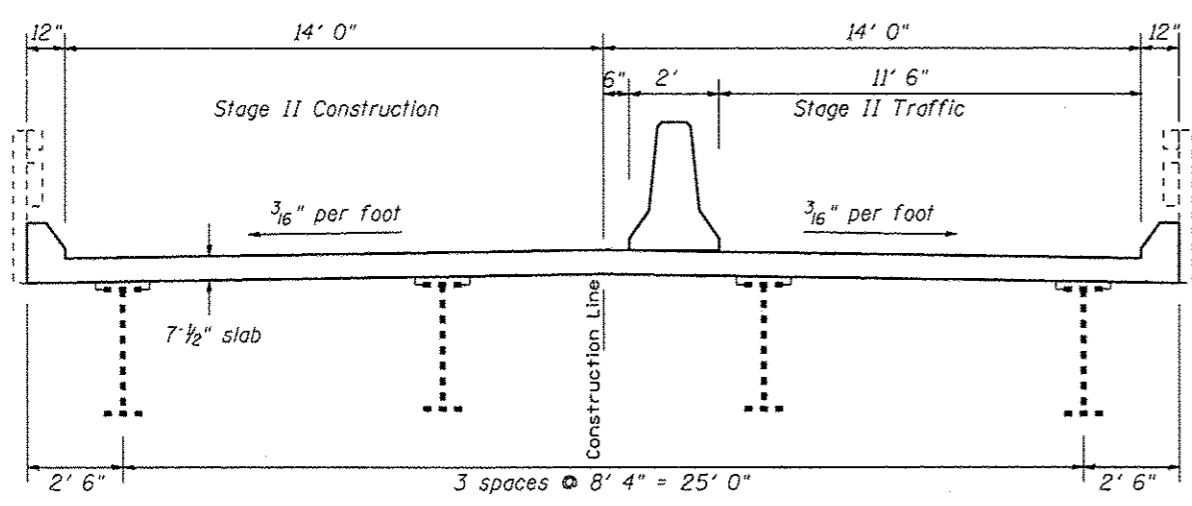


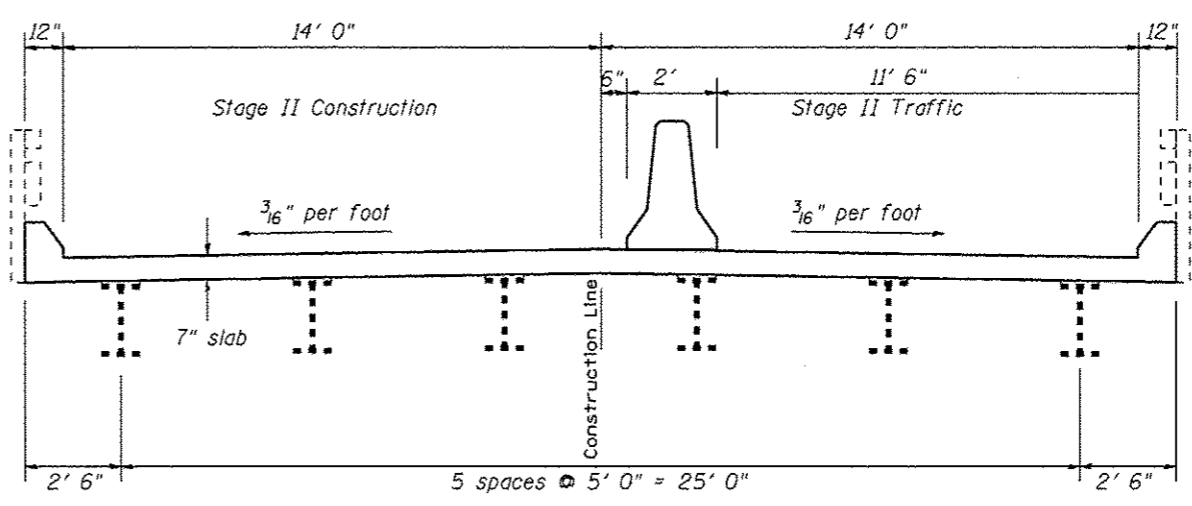
PLAN - PIER 8 AND 10



PLAN - PIER 13 AND 16



CROSS SECTION - SPANS 8 & 14 (LOOKING SOUTH)



CROSS SECTION - SPANS 9 & 13 (LOOKING SOUTH)

- ① Type III barricade to be placed when no work is being performed.
 - ② Barrier wall/guardrail markers at 25' (7.6 m) cts. See Standards 704001 & 635011.
- Note: For Traffic Control symbols refer to Standard 701321-13