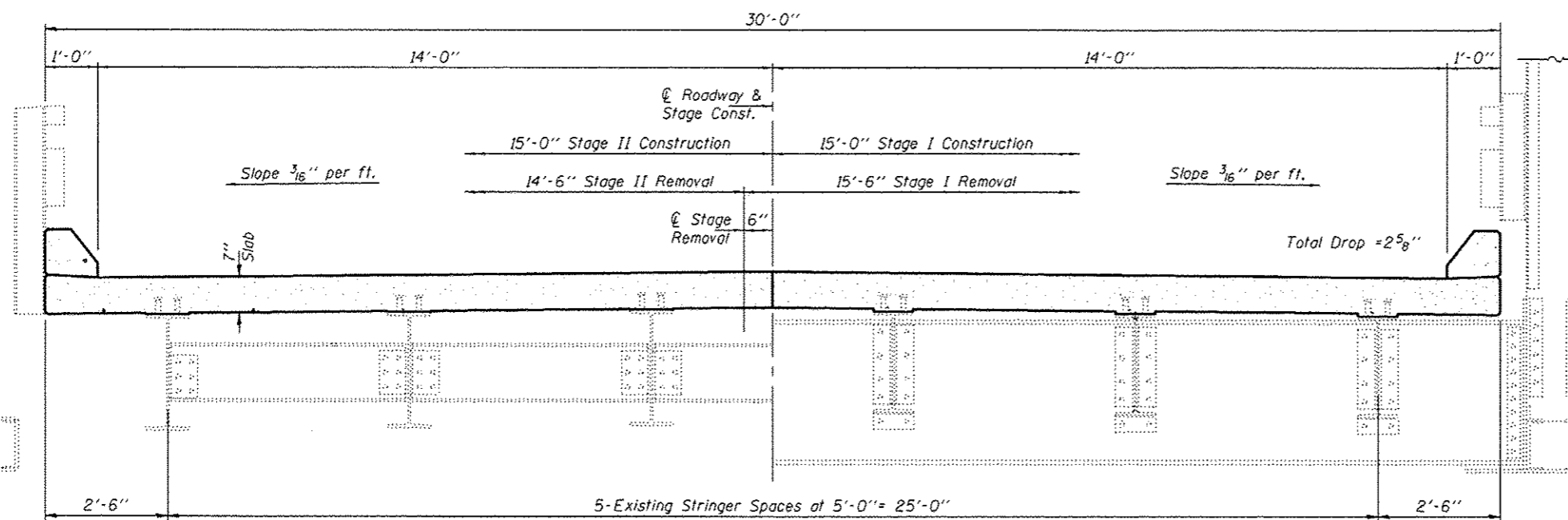


NEAR MIDSPAN

NEAR PIER

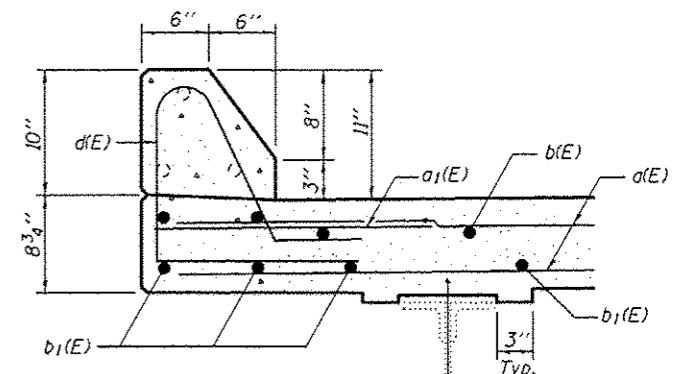
**CROSS SECTION - SPANS 1-8 & 14-17**  
(Looking South)



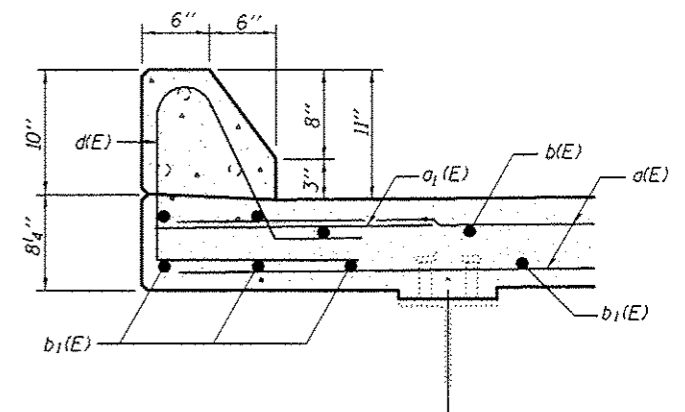
NEAR MID POINT OF PANEL

NEAR FLOOR BEAM

**CROSS SECTION - SPANS 9-13**  
(Looking South)



**SECTION THRU CURB**  
**SPANS 1-8 & 14-17**



**SECTION THRU CURB**  
**SPANS 9-13**

DESIGNED - ATH  
CHECKED - VHV  
DRAWN - Kyle M. Steffen  
CHECKED - ATH VHV

EXAMINED  
PASSED  
ACTING ENGINEER OF STRUCTURAL SERVICES  
ACTING ENGINEER OF BRIDGES AND STRUCTURES

DATE - AUGUST 18, 2014  
REVISED  
REVISED

STATE OF ILLINOIS  
DEPARTMENT OF TRANSPORTATION

STAGING DETAILS  
SN 009-0001

SHEET NO. 2 OF 14 SHEETS

F.A.P. RTE.	SECTION	COUNTY	TOTAL SHEETS	SHEET NO.
310	186BJR	CASS	19	7
CONTRACT NO. 72H29			ILLINOIS FED. AID PROJECT	