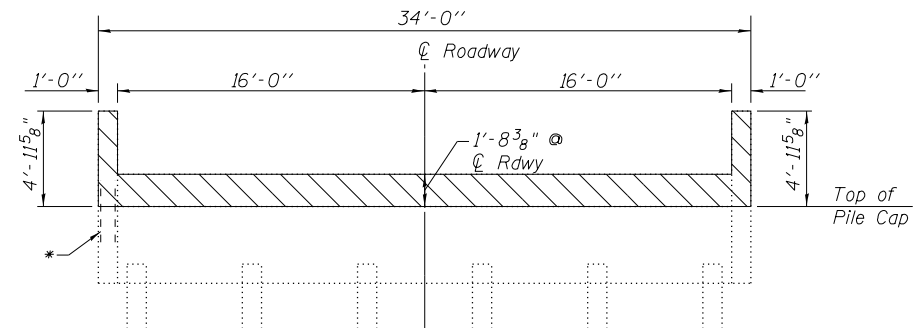
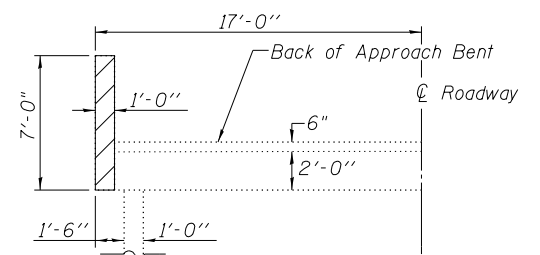


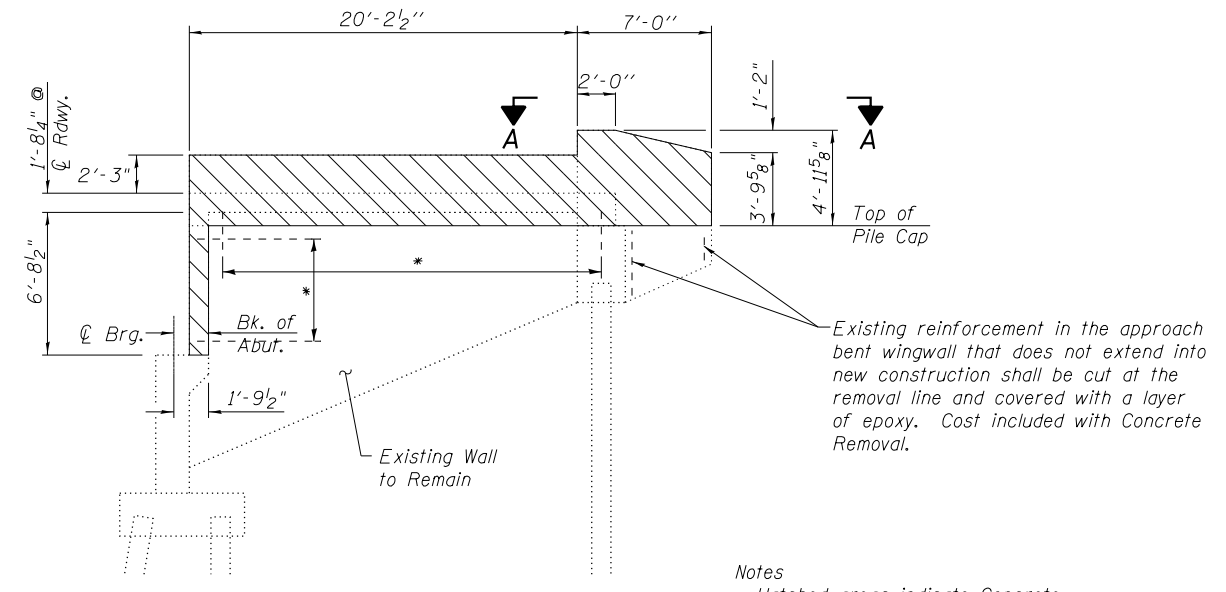
SECTION THRU FILLED VAULTED ABUTMENT



SECTION AT APPROACH BENT  
(S. Abut. Looking South - N. Abut. Similar)



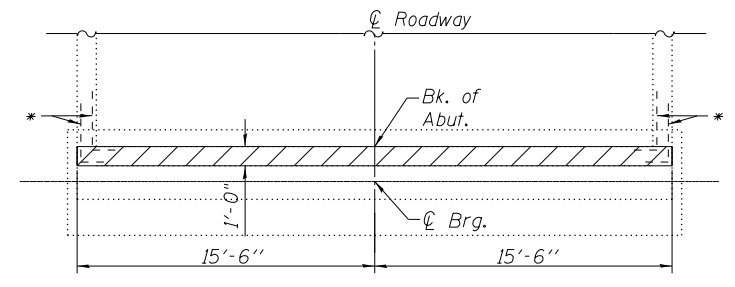
PLAN VIEW A-A  
(N. Abut. Shown - S. Abut. Similar)



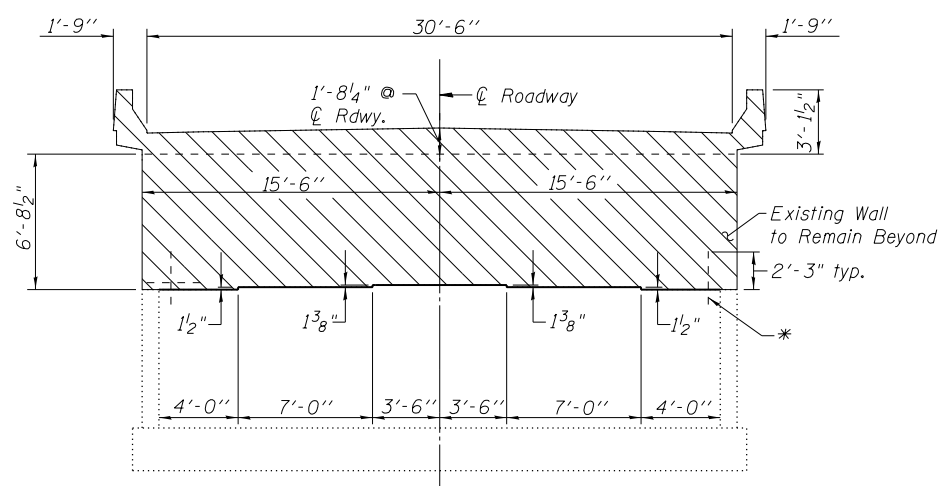
TYPICAL WING ELEVATION

Existing reinforcement in the approach bent wingwall that does not extend into new construction shall be cut at the removal line and covered with a layer of epoxy. Cost included with Concrete Removal.

- Notes  
Hatched areas indicate Concrete Removal.  
\* Existing reinforcement extending into new construction shall be cleaned and incorporated into the new construction. Cost included with Concrete Removal.  
See Sheets 12, 13 and 20 of 39 for additional details depicting existing reinforcement extending into the new construction.



PLAN AT BACKWALL  
(N. Abut. Shown - S. Abut. Similar)



ELEVATION  
(S. Abut. Looking South - N. Abut. Similar)



**BILL OF MATERIAL**

| ITEM             | UNIT    | TOTAL |
|------------------|---------|-------|
| Concrete Removal | Cu. Yd. | 95.2  |

BLANK, WESSELINK, COOK & ASSOCIATES DECATUR, ILLINOIS ENGINEERS - CONSULTANTS DESIGN FIRM NO. 184000894

|             |              |                        |           |
|-------------|--------------|------------------------|-----------|
| FILE NAME = | USER NAME =  | DESIGNED <i>PBB</i>    | REVISED - |
|             |              | CHECKED <i>MCB</i>     | REVISED - |
|             | PLOT SCALE = | DRAWN <i>MLO</i>       | REVISED - |
|             | PLOT DATE =  | CHECKED <i>PBB/MCB</i> | REVISED - |

**STATE OF ILLINOIS  
DEPARTMENT OF TRANSPORTATION**

**CONCRETE REMOVAL DETAILS  
STRUCTURE NO. 058-0049**

SHEET NO. 19 OF 39 SHEETS

|                           |                        |        |              |           |
|---------------------------|------------------------|--------|--------------|-----------|
| F.A.P. RTE.               | SECTION                | COUNTY | TOTAL SHEETS | SHEET NO. |
| 710                       | (48X-B-2)BR & (48BR)BR | MACON  | 144          | 57        |
| CONTRACT NO. 74438        |                        |        |              |           |
| ILLINOIS FED. AID PROJECT |                        |        |              |           |