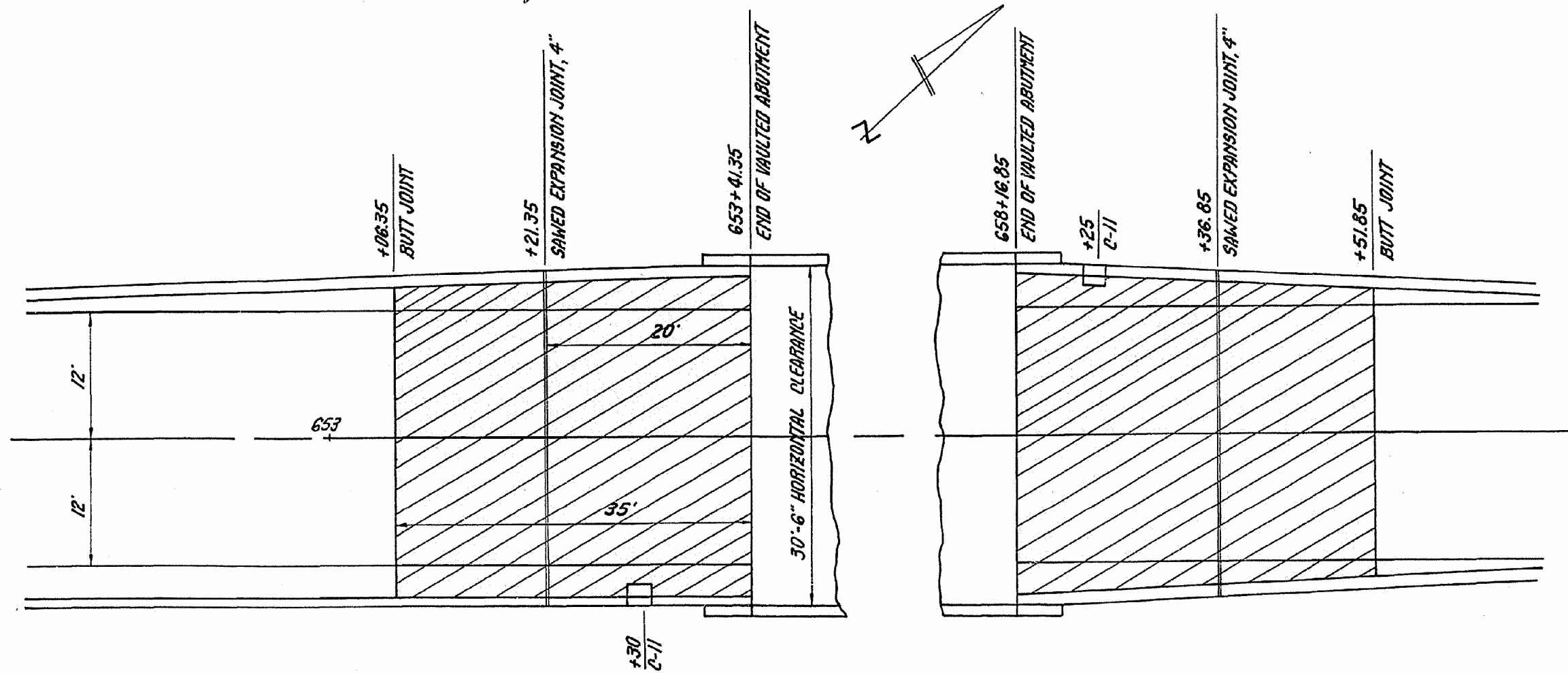


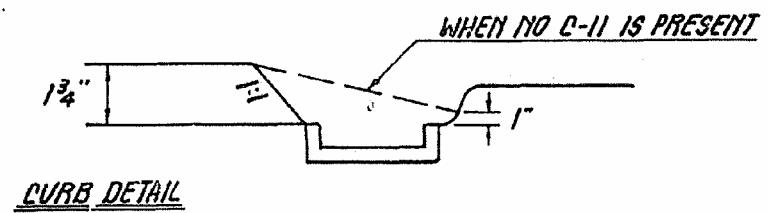
DETAIL OF APPROACHES
STRUCTURE NUMBER 058-0049

ROUTE NO.	SECTION	COUNTY	TOTAL SHEETS	SHEET NO.
VARIOUS	*	MACON	26	11

* DISTRICT 5 BRIDGE DECK REPAIR 1984-2



 BITUMINOUS CONCRETE SURFACE COURSE
MIXTURE D, CLASS I



TELEPHONE NO: 741127

DRAWN BY	T.G.D. 5-84
CHECKED BY	K.R.W. 5-84

BLANK, WESSELINK, COOK & ASSOCIATES DECATUR, ILLINOIS ENGINEERS - CONSULTANTS DESIGN FIRM NO. 184000894

FILE NAME :	USER NAME :	DESIGNED <i>PBB</i>	REVISED -
		CHECKED	REVISED -
	PLOT SCALE :	DRAWN <i>MLO</i>	REVISED -
	PLOT DATE :	CHECKED	REVISED -

STATE OF ILLINOIS
DEPARTMENT OF TRANSPORTATION

EXISTING BRIDGE PLANS

SHEET NO. 36 OF 39 SHEETS

F.A.P. RTE.	SECTION	COUNTY	TOTAL SHEETS	SHEET NO.
710	(48X-B-2)BR & (48BR)BR	MACON	144	74
CONTRACT NO. 74438				

ILLINOIS FED. AID PROJECT