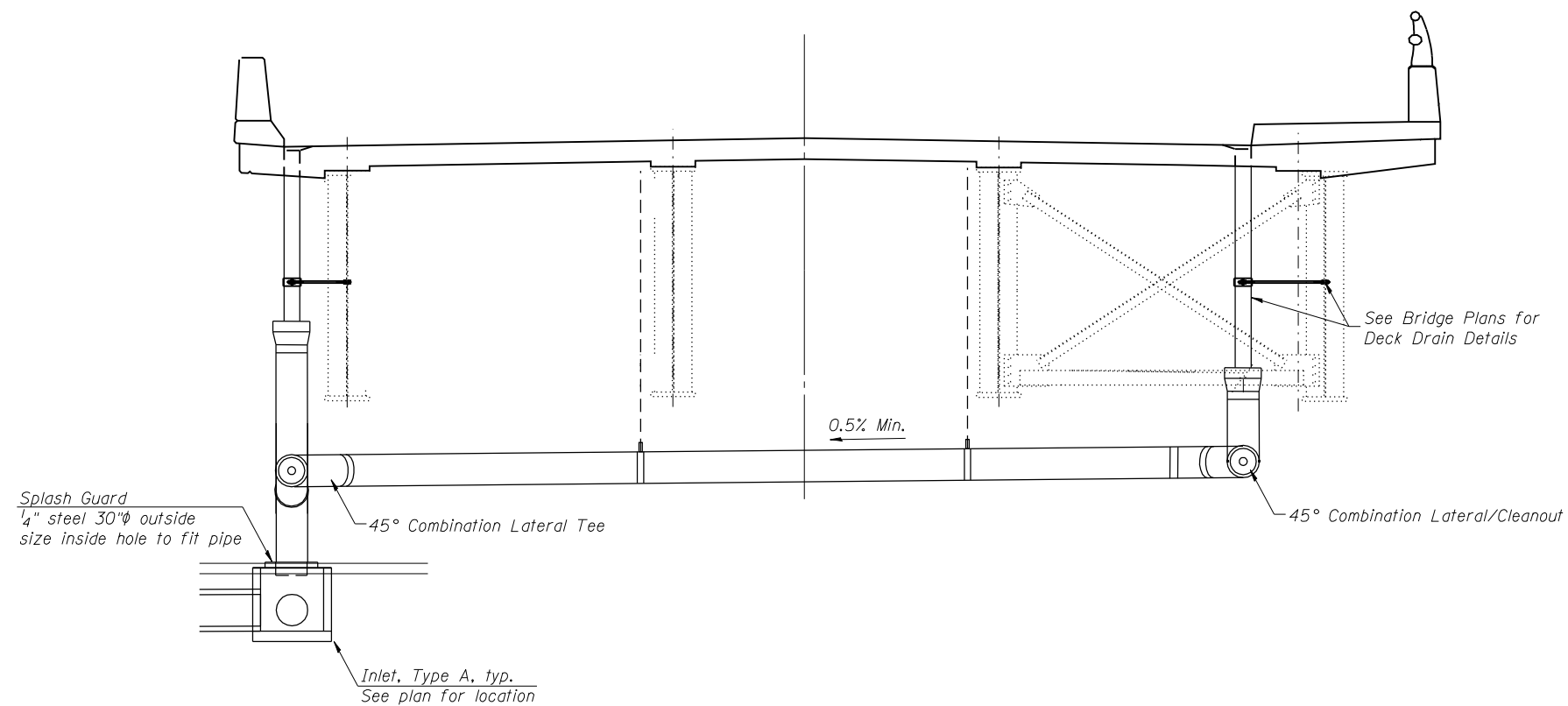
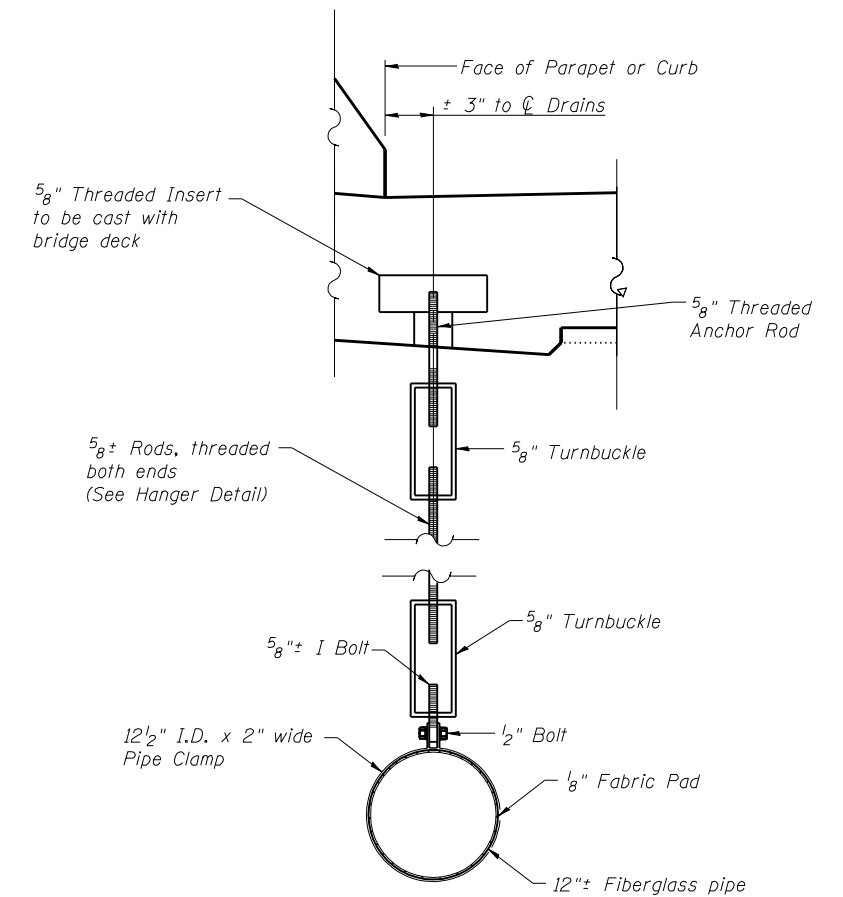


DETAIL BRIDGE DRAINAGE SYSTEM OUTLET SN 058-0010



DETAIL BRIDGE DRAINAGE SYSTEM OUTLET SN 058-0010



HANGER ASSEMBLY DETAILS

BILL OF MATERIAL

Item	Unit	Total
Drainage System, No. 1	L Sum	1

BLANK, WESSELINK, COOK & ASSOCIATES DECATUR, ILLINOIS ENGINEERS - CONSULTANTS DESIGN FIRM NO. 184000894

FILE NAME =	USER NAME =	DESIGNED <i>PBB</i>	REVISED -
		CHECKED <i>MCB</i>	REVISED -
	PLOT SCALE =	DRAWN <i>MLO</i>	REVISED -
	PLOT DATE =	CHECKED <i>PBB/MCB</i>	REVISED -

**STATE OF ILLINOIS
DEPARTMENT OF TRANSPORTATION**

**DRAINAGE SYSTEM DETAILS
STRUCTURE NO. 058-0010**

SHEET NO. 25 OF 34 SHEETS

F.A.P. RTE.	SECTION	COUNTY	TOTAL SHEETS	SHEET NO.
710	(48X-B-2)BR & (48BR)BR	MACON	144	102
CONTRACT NO. 74438				
ILLINOIS FED. AID PROJECT				