

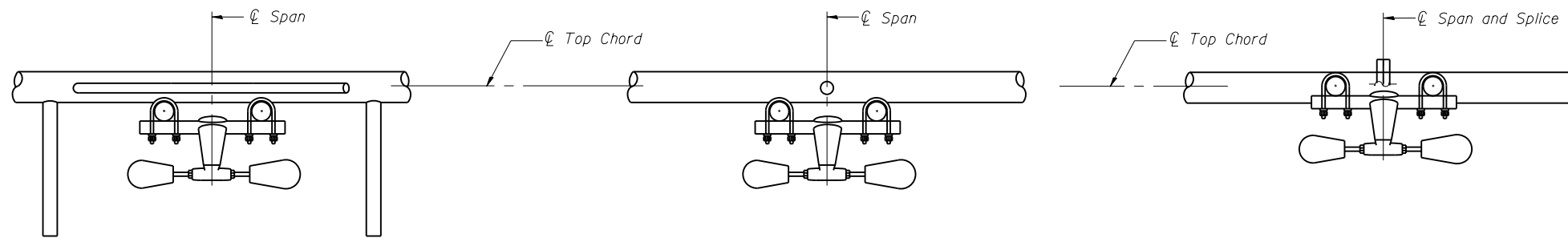
**PLAN DETAIL "A"**  
 ☉ Span between Panel Points

**PLAN DETAIL "B"**  
 ☉ Span at Panel Point

**PLAN DETAIL "C"**  
 ☉ Span at ☉ Chord Splice

\* Center of horizontal to center of splice dimension may vary. Verify before drilling holes in mounting tube.

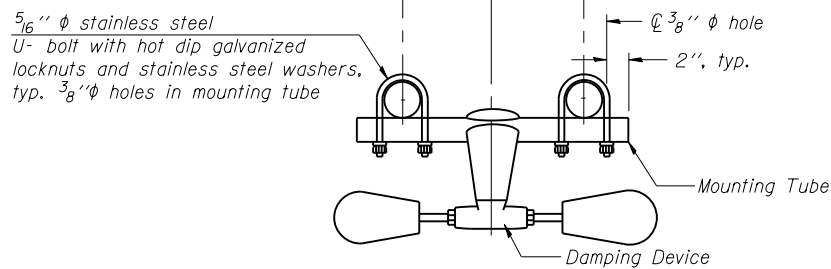
- NOTES**
- Damper: One damper per truss. (31 lbs. minimum Stockbridge-Type Aluminum - 29" minimum between ends of weights) Cost included in Overhead Sign Structure...
  - Materials: Materials: Aluminum tubes shall be ASTM B221 alloy 6061 temper T6. Cost included in Overhead Sign Structure...



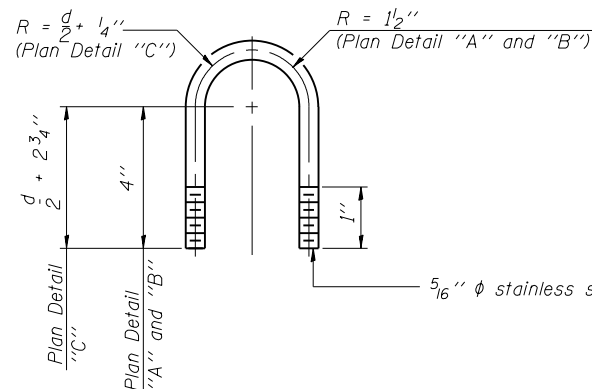
**SECTION A-A**

**SECTION B-B**

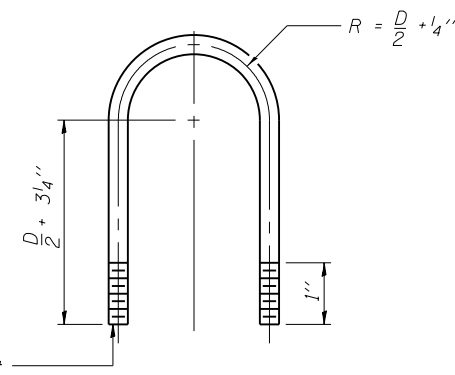
**SECTION C-C**



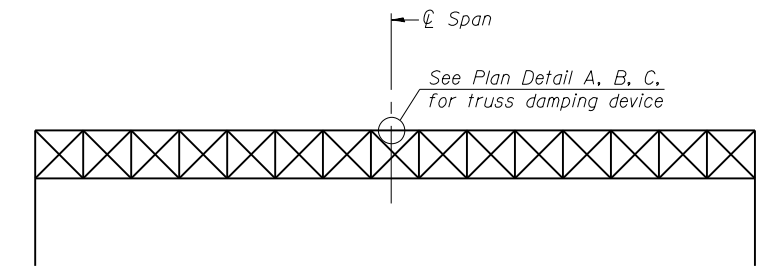
**TRUSS DAMPING DEVICE CONNECTION DETAIL**  
 (Typical)



**DAMPING DEVICE MOUNTING TUBE U-BOLT DETAIL**  
 (Typical)



**TOP CHORD TO CROSS TUBE U-BOLT DETAIL**  
 (Typical - Detail "A" and "B")



**ELEVATION**  
 Aluminum Overhead Sign Truss

OS-A-D

6-1-12

FILE NAME =	USER NAME = steffenmk	DESIGNED -	REVISED -
c:\pwork\pwork\stevfennk\d0360593\074643-sht-detail.dgn		DRAWN -	REVISED -
Default	PLOT SCALE = 100.0000' / in.	CHECKED -	REVISED -
	PLOT DATE = 5/22/2014	DATE -	REVISED -

STATE OF ILLINOIS  
 DEPARTMENT OF TRANSPORTATION

OVERHEAD SIGN STRUCTURE  
 DAMPING DEVICE

SCALE: SHEET OF SHEETS STA. TO STA.

F.A. RTE.	SECTION	COUNTY	TOTAL SHEETS	SHEET NO.
VAR.	D7 ITS 2014	*	72	42
* EFFINGHAM, CUMBERLAND			CONTRACT NO. 74643	
CLARK & LAWRENCE ILLINOIS FED. AID PROJECT				