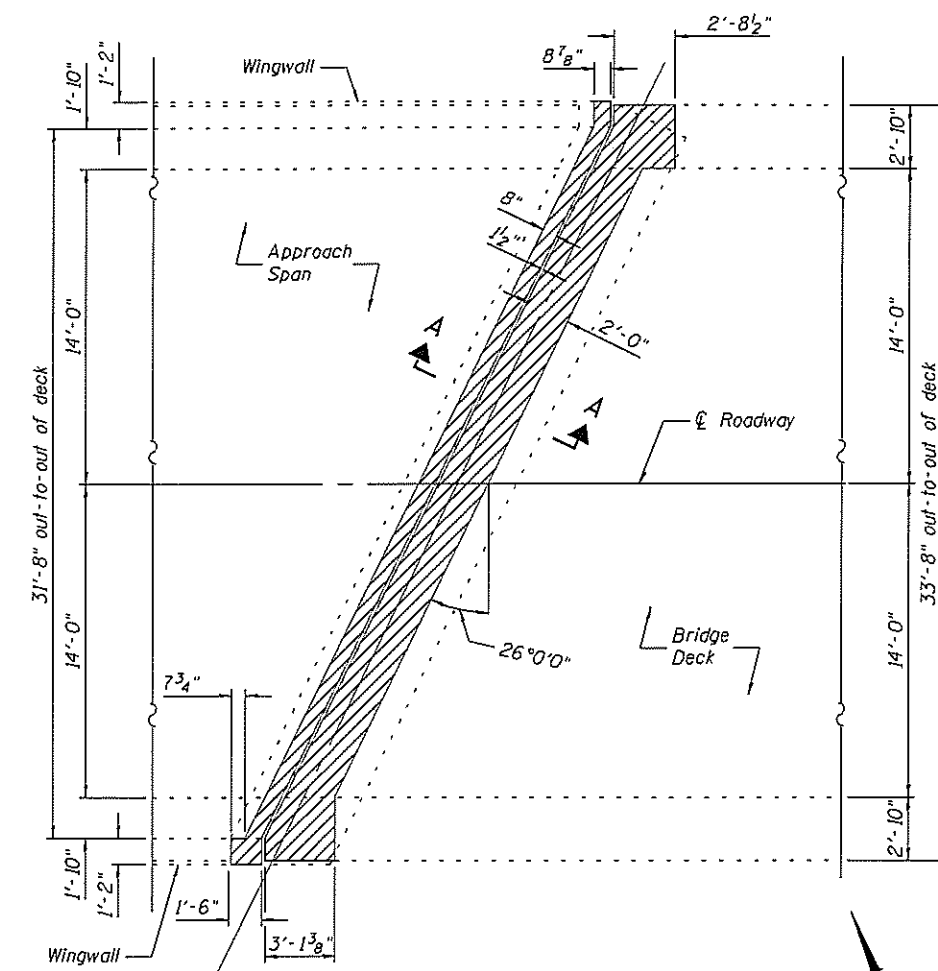


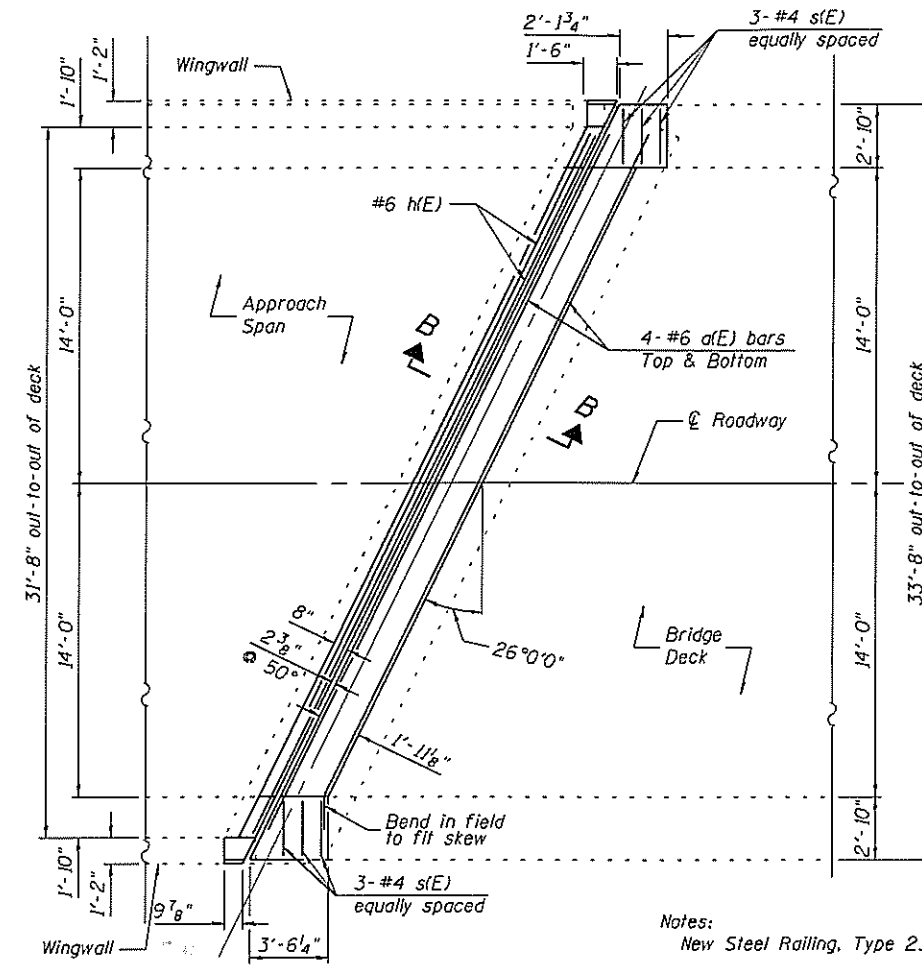
BILL OF MATERIAL

Bar	No.	Size	Length	Shape	
a(E)	16	#6	34'-2"	—	
h(E)	4	#6	34'-10"	—	
s(E)	12	#4	6'-6"	⌒	
Concrete Removal				Cu. Yd.	6.5
Reinforcement Bars, Epoxy Coated				Pound	1080
Concrete Superstructure				Cu. Yd.	6.9

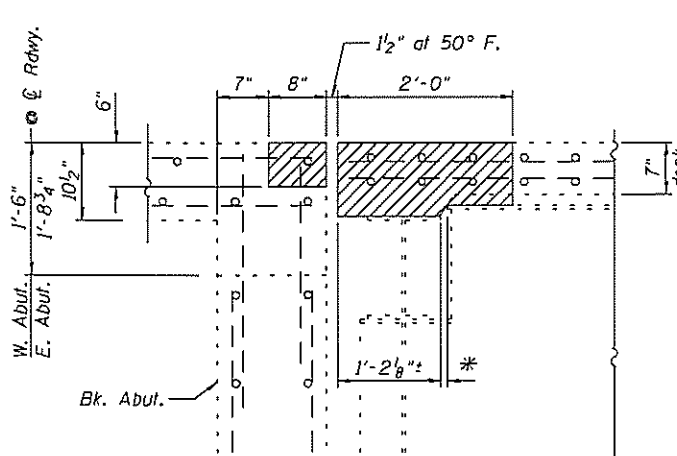
Note:
Quantities include both abutments.



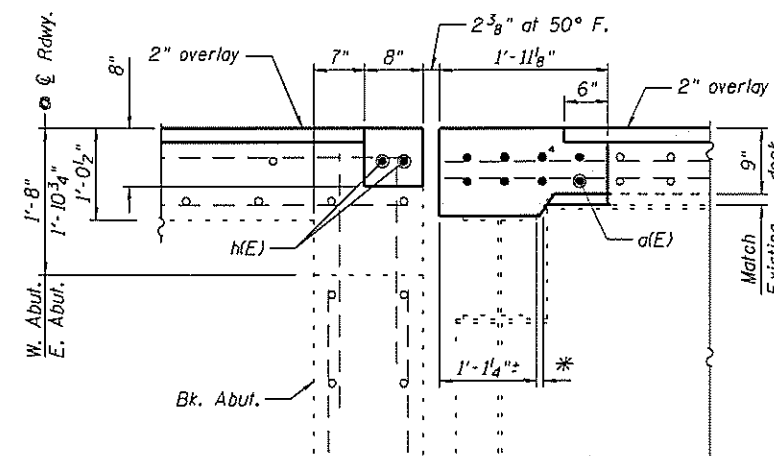
CONCRETE REMOVAL
(W. Abut shown, E. Abut similar)



CONCRETE REPLACEMENT
(W. Abut shown, E. Abut similar)



SECTION A-A
*Varies



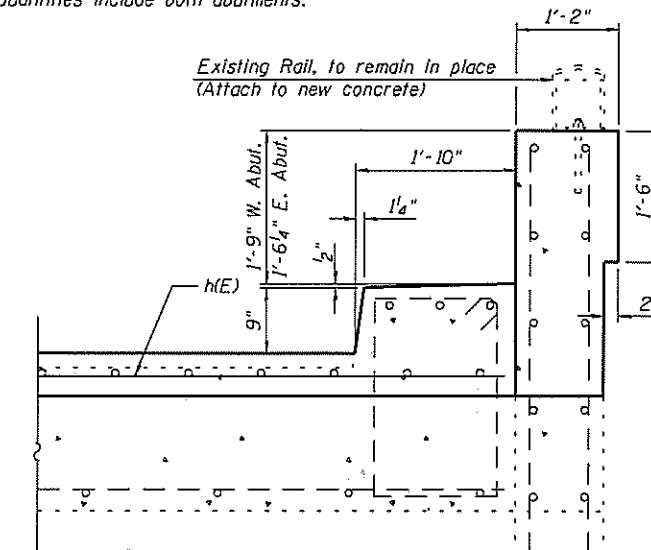
SECTION B-B
*Varies

Concrete Removal

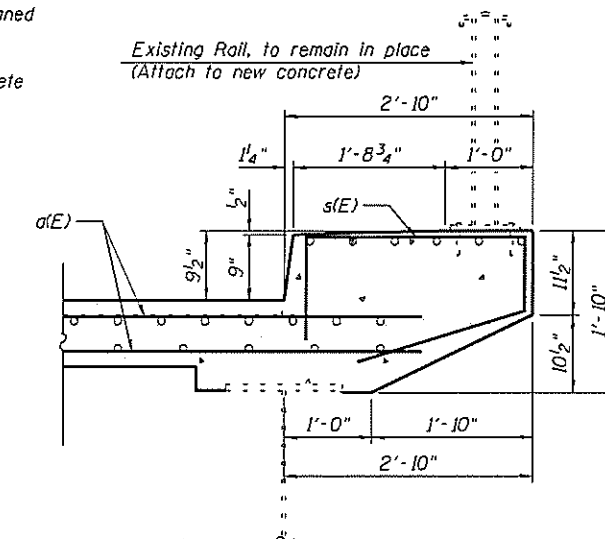
Notes:
New Steel Railing, Type 2399 not shown for clarity.

Existing rail post anchors shall be cleaned and cast into the reconstructed curb at expansion joint locations (2 rail post, at each corner). Cost included with concrete superstructure.

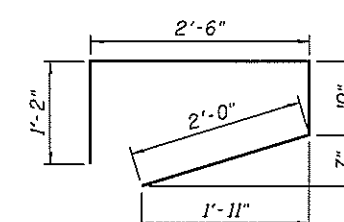
Removal and reinstallation of guardrail sections will be necessary for construction of the expansion joints. All existing embedded anchors that are within the concrete removal area shall be cleaned and incorporated in the new construction or new approved alternatives shall be supplied and installed. This work and all materials shall be included in the contract unit price for concrete superstructure.



SECTION THRU WING AT ABUTMENT



SECTION THRU CURB ON BRIDGE



BAR s(E)

PRINT DATE: 5/9/2014 7:02:24 AM z:\1015\bia\dot\roads\road\design\bridge\final\plotsheets\979819-803-Abutments.dgn

EFK Moen, LLC
Civil Engineering Design
303 Foxatins Parkway, Suite 240
Fairview Heights, IL 62138
Phone 618-206-4250

USER NAME - cdl	DESIGNED - CTW	REVISED -
PLDT SCALE = 0:2 1/2" = 1" IN.	CHECKED - CDL	REVISED -
PLDT DATE = 5/9/2014	DRAWN - DP	REVISED -
	DATE - 5/9/2014	REVISED -

STATE OF ILLINOIS
DEPARTMENT OF TRANSPORTATION

JOINT DETAILS AT ABUTMENTS
STRUCTURE NO. 079-0019

SHEET NO. 3 OF 13 SHEETS

F.A.S. RTE. 858	SECTION 12VB-11	COUNTY RANDOLPH	TOTAL SHEETS 12	SHEET NO. 36
			CONTRACT NO. 76409	
[ILLINOIS] FED. AID PROJECT				