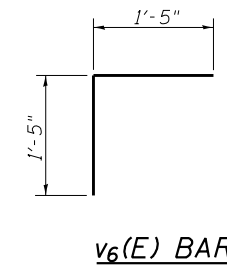
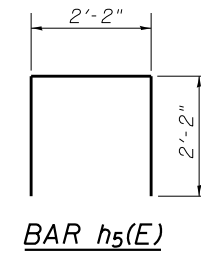
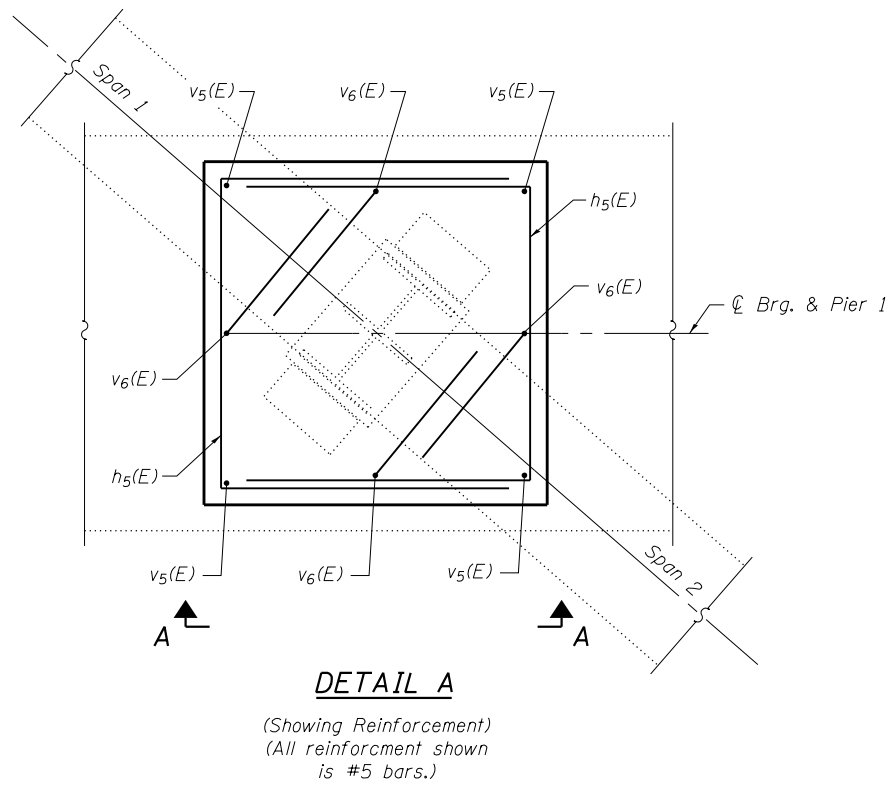


*Bars shall be drilled and grouted according to Section 584 of the Standard Specifications.



MIN BAR LAP
#5 bar = 2'-0"

**BILL OF MATERIAL
PIER 1**

Bar	No.	Size	Length	Shape
$h_5(E)$	20	#5	6'-6"	┌
$v_5(E)$	20	#5	1'-5"	—
$v_6(E)$	20	#5	2'-10"	└
Concrete Structures			Cu. Yd.	1.0
Reinforcement Bars, Epoxy Coated			Pound	230