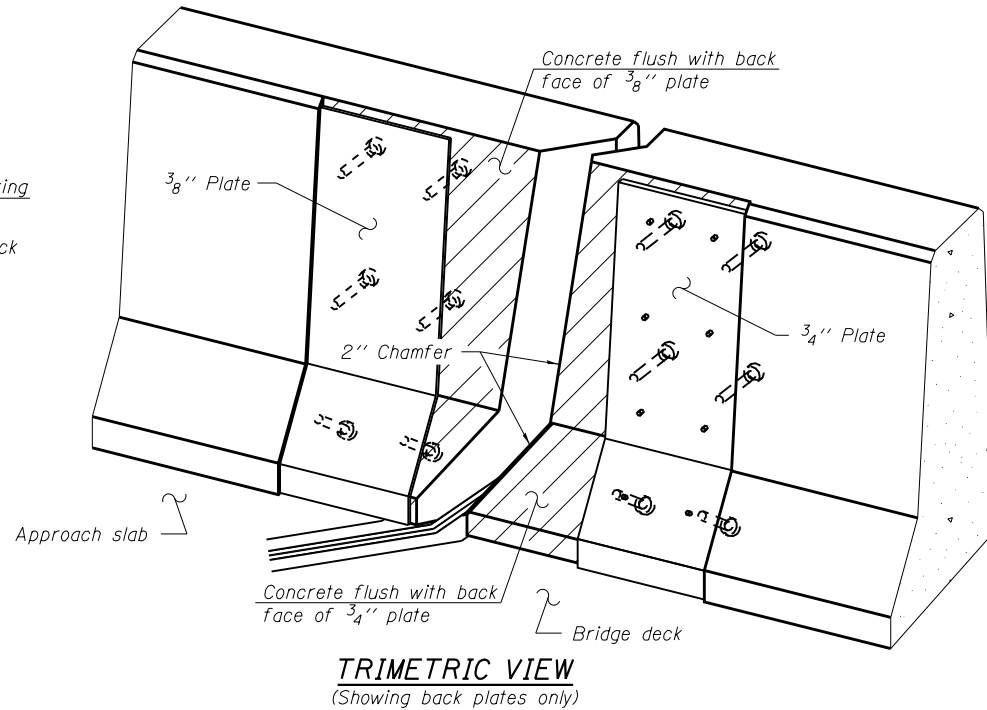
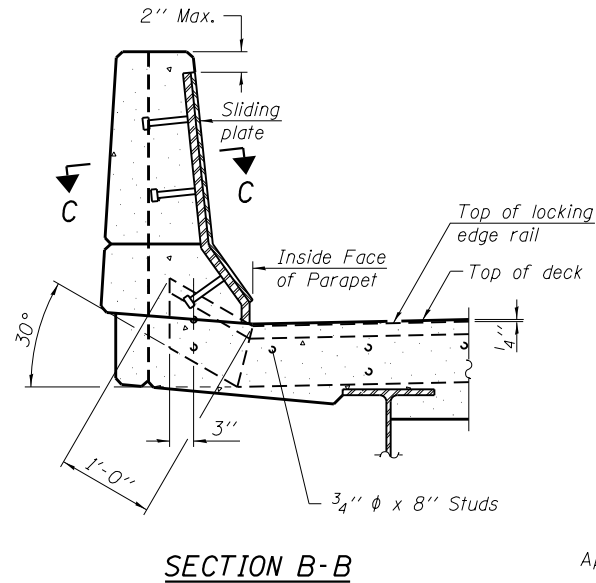
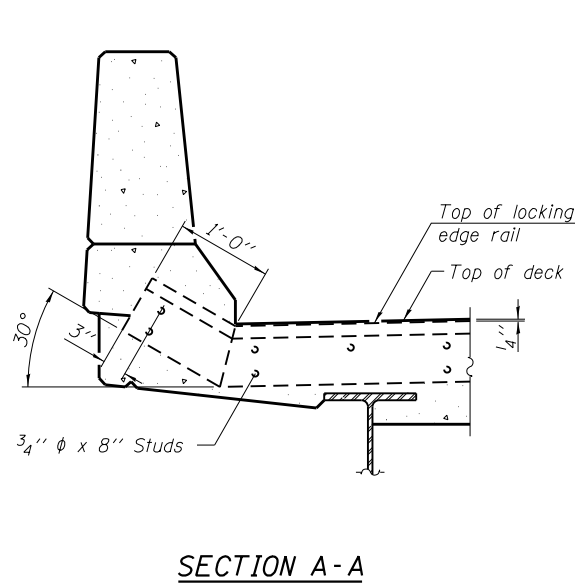
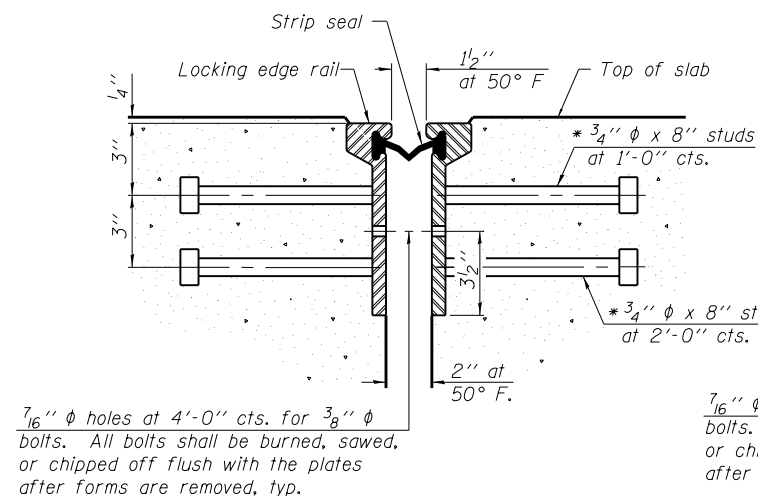


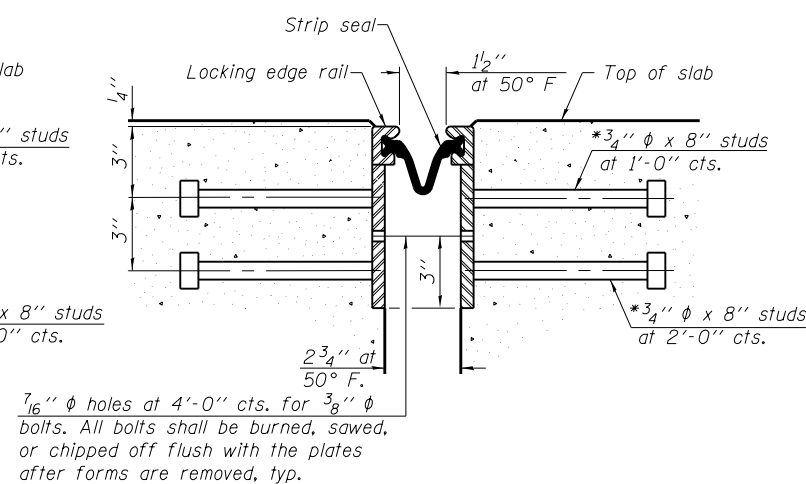
TYPICAL END TREATMENT AT SIDEWALK OR MEDIAN
 Shorter plates with a single row of studs at 12" cts. may be necessary on medians which are shallower than 9". See manufacturer's recommendation.



Notes:
 The strip seal shall be made continuous and shall have a minimum thickness of 1/4". The configuration of the strip seal shall match the configuration of the Locking Edge Rails. Open or "webbed" strip seal gland configurations are not permitted. The gland shall be sized for a maximum rated movement of 4 inches.
 The Locking Edge Rails depicted are conceptual only, except for the minimum dimensions shown. The actual configuration of the Locking Edge Rails and matching strip seal may vary from manufacturer to manufacturer. Flanged edge rails will not be allowed. Locking Edge Rails may be spliced at slope discontinuities.
 The manufacturer's recommended installation methods shall be followed.
 The joint opening and deck dimensions detailed on the superstructure are based on a rolled rail expansion joint. If the Contractor elects to use the welded rail expansion joint, the opening and deck dimensions shall be modified according to the dimensions detailed on this sheet. Required modifications shall be made at no additional cost to the State.
 All steel components shall be galvanized after fabrication according to Article 520.03 of the Standard Specifications. Maximum space between rail segments shall be 3/16", sealed with a suitable sealant. Joints in rails within 10 ft. of curbs shall be welded.
 Parapet plates and anchorage studs for skews > 30° included in the cost of Preformed Joint Strip Seal.

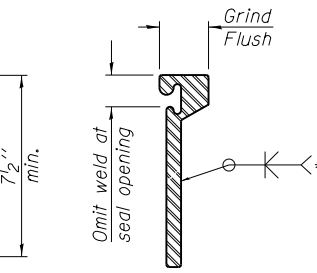
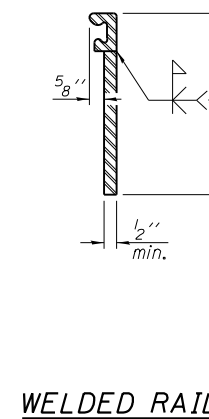
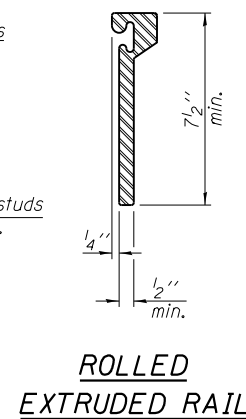


SECTION THRU ROLLED RAIL JOINT



SECTION THRU WELDED RAIL JOINT

* Granular or solid flux filled headed studs conforming to Article 1006.32 of the Std. Specs., automatically end welded.



** Back gouge not required if complete joint penetration is verified by mock-up.

LOCKING EDGE RAIL SPLICE
 The inside of the locking edge rail groove shall be free of weld residue.
 Rolled rail shown, welded rail similar.

LOCKING EDGE RAILS

BILL OF MATERIAL

Item	Unit	Total
Preformed Joint Strip Seal	Foot	102

EJ-SSJ

1-27-12

FILE NAME = sheet 24 (pf/ssljgn)

USER NAME = bselbel

DESIGNED -

REVISED -



BERNAHREN LOCHMULLER & ASSOCIATES, INC.
 3 OAK DRIVE
 MARYVILLE, ILLINOIS 62442
 PHONE (618) 281-4666
 FAX (618) 281-4666

CHECKED -

REVISED -

PLOT SCALE =

DRAWN - WJS

REVISED -

PLOT DATE = 12/31/29 PM 2/14/2014

CHECKED - CJF

REVISED -

REVISED -

REVISED -

**STATE OF ILLINOIS
 DEPARTMENT OF TRANSPORTATION**

**PREFORMED JOINT STRIP SEAL
 STRUCTURE NO. 079-0020**

SHEET NO. 24 OF 26 SHEETS

F.A.S. RTE.	SECTION	COUNTY	TOTAL SHEETS	SHEET NO.
858	12VB-II	RANDOLPH	72	70
				CONTRACT NO. 76409

ILLINOIS FED. AID PROJECT