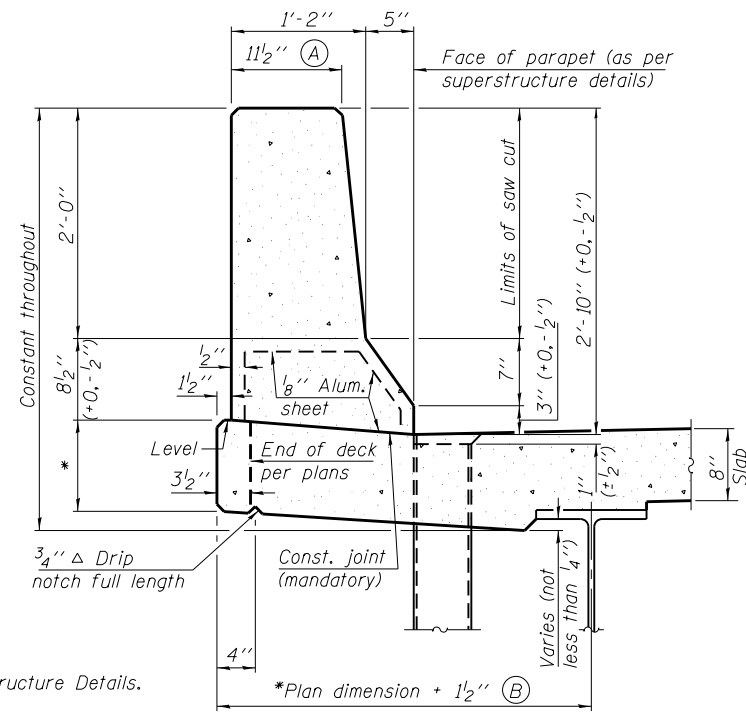
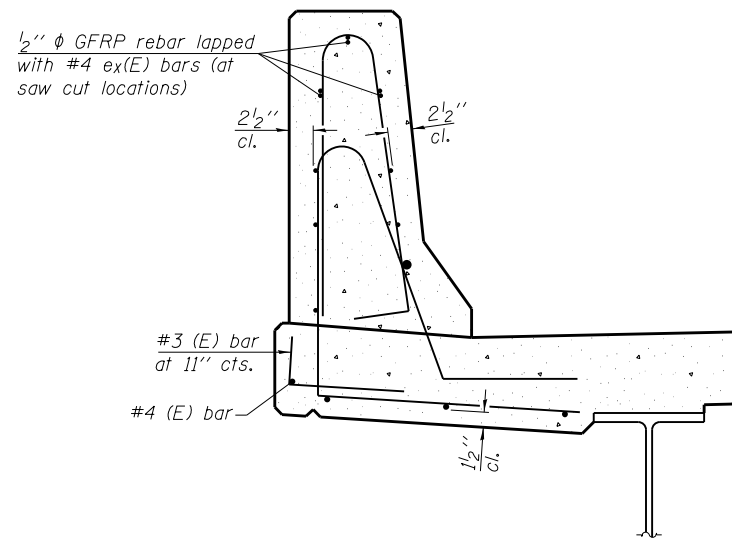


GENERAL NOTES

All dimensions shall remain the same as shown on superstructure details, except dimensions A and B which are to be revised as shown to provide additional clearance. Additional concrete needed to revise dimension A and B = 0.0165 cu. yds./ft. for 34" parapet or = 0.0223 cu. yds./ft. for 42" parapet. Place aluminum sheet in curb portion at and near piers. Full thickness saw cut at all joint locations in lieu of cork joint filler. Steel superstructure shown. Other superstructure types similar.

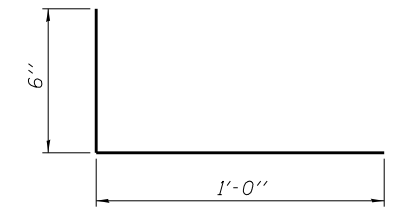


34" F SHAPE PARAPET SECTION
(Showing dimensions)

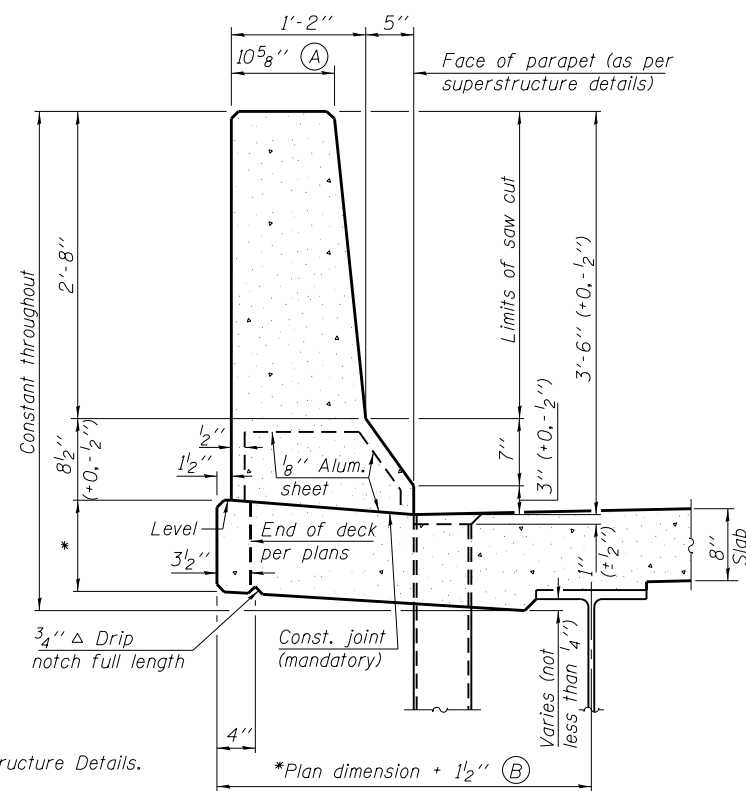


SECTION

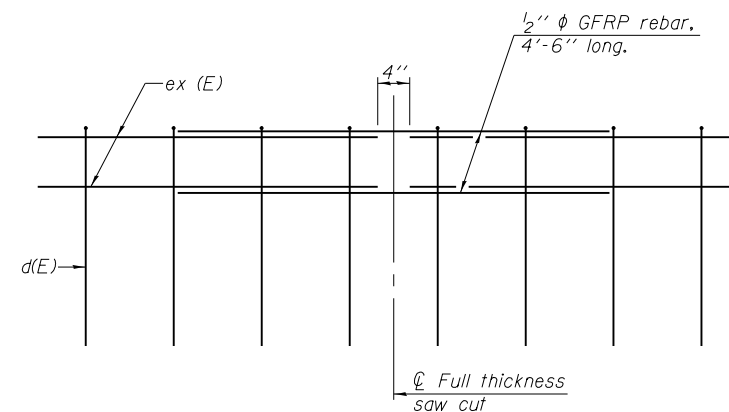
(34" parapet shown - 42" parapet similar)
(Showing reinforcement clearances for slip forming and additional reinforcement bars)



#3 (E) BAR

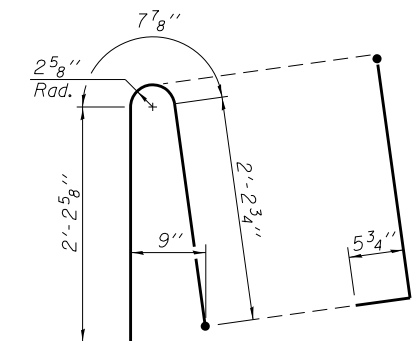


42" F SHAPE PARAPET SECTION
(Showing dimensions)

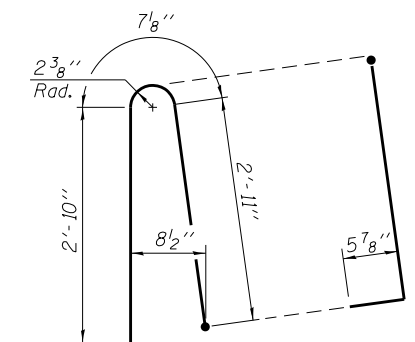


GFRP REBAR STIFFENING DETAIL

(Place as shown in parapet section at each parapet joint location.)



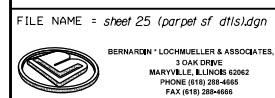
ALTERNATE BAR d(E)
(For 34" parapet when conduit is present)



ALTERNATE BAR d(E)
(For 42" parapet when conduit is present)

SFP 34-42

8-16-12



USER NAME = bselbel
Illinois Design Firm Number 184,001670
PLOT SCALE =
PLOT DATE = 12:32:40 PM 2/14/2014

DESIGNED -
CHECKED -
DRAWN - WJS
CHECKED - CJF

REVISED -
REVISED -
REVISED -
REVISED -

STATE OF ILLINOIS
DEPARTMENT OF TRANSPORTATION

CONCRETE PARAPET SLIPFORMING OPTION
STRUCTURE NO. 079-0020

SHEET NO. 25 OF 26 SHEETS

F.A.S. RTE.	SECTION	COUNTY	TOTAL SHEETS	SHEET NO.
858	12VB-II	RANDOLPH	72	71
ILLINOIS FED. AID PROJECT			CONTRACT NO. 76409	