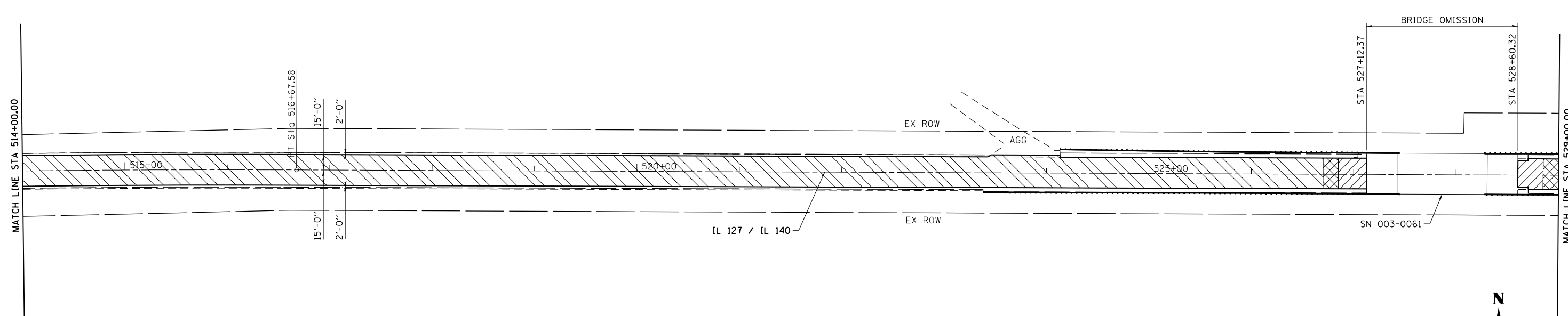


LEGEND

	1 1/4" MILL / 1 1/4" RESURFACING
	2 1/4" MILL / 2 1/4" RESURFACING
	1 1/2" MILL / 2 1/4" RESURFACING
	PAVING TRANSITION TYPE A - MILLING DEPTH CHANGE, SEE DETAIL
	HOT-MIX ASPHALT (HMA) SHOULDERS



FILE NAME = H:\6513 IDOT DB Ver\6513\12 WD 12 Greenway\Resurfacing\CADD Sheets\087679-sht-plan	USER NAME = btindall	DESIGNED -	REVISED -	STATE OF ILLINOIS DEPARTMENT OF TRANSPORTATION	ILLINOIS ROUTE 127 ROADWAY RESURFACING PLAN	F.A.P. RTE. = 42	SECTION = (139-1,36-1,110-1)RS-1	COUNTY = BOND	TOTAL SHEETS = 68	SHEET NO. = 16		
SHT 1.500+28.00 to 529+00	PLOT SCALE = 100.0000' / in.	CHECKED -	REVISED -			SCALE: 1" = 50'	SHEET 1 OF 11 SHEETS	STA. 500+28.00 TO STA. 529+00.00	CONTRACT NO. 76C79			
	PLOT DATE = 6/13/2014	DATE -	REVISED -			ILLINOIS FED. AID PROJECT						