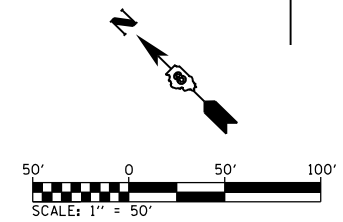
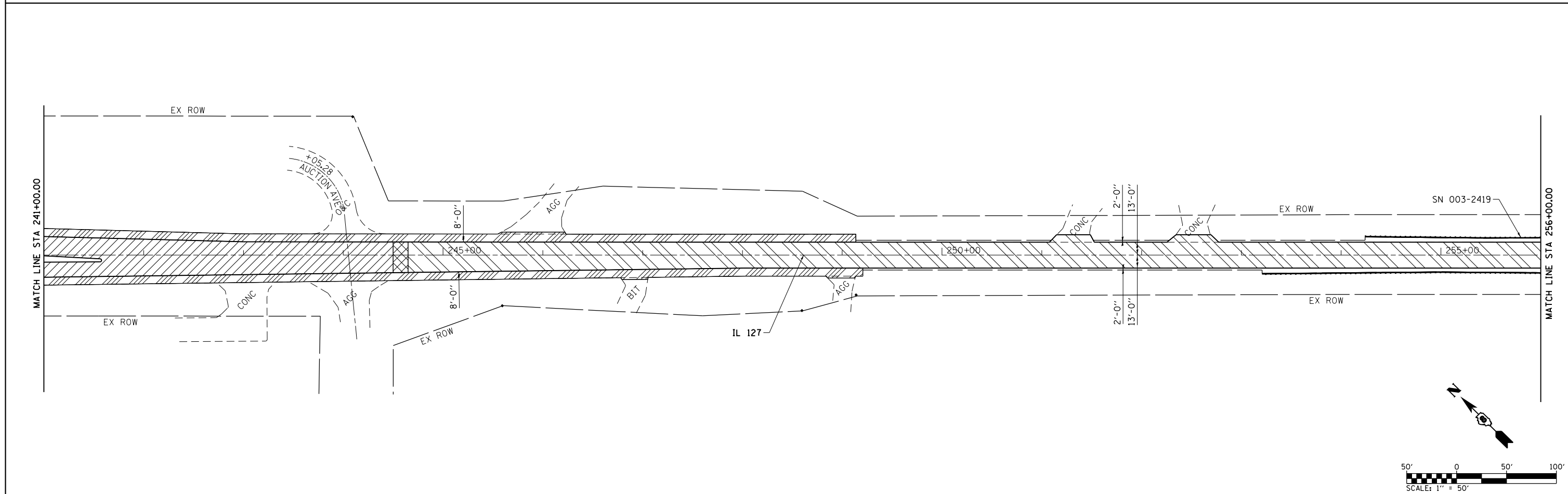
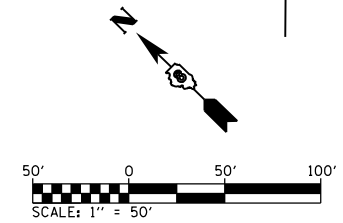


LEGEND	
	1 1/4" MILL / 1 1/4" RESURFACING
	2 1/4" MILL / 2 1/4" RESURFACING
	1 1/2" MILL / 2 1/4" RESURFACING
	PAVING TRANSITION TYPE A - MILLING DEPTH CHANGE, SEE DETAIL
	HOT-MIX ASPHALT (HMA) SHOULDERS



FILE NAME = H:\6513 IDOT DB Ver\6513.12 WD 12 Greenv	USER NAME = btindall	DESIGNED -	REVISED -	<b>STATE OF ILLINOIS DEPARTMENT OF TRANSPORTATION</b>	<b>ILLINOIS ROUTE 127 ROADWAY RESURFACING PLAN</b>	F.A.P. RTE.	SECTION	COUNTY	TOTAL SHEETS	SHEET NO.	
SHT 9.226+00 to 256+00	Plot Scale = 100.0000' / in.	CHECKED -	REVISED -			42	(139-1,36-1,110-1)RS-1	BOND	68	24	
	Plot Date = 6/13/2014	DATE -	REVISED -			CONTRACT NO. 76C79					
						ILLINOIS FED. AID PROJECT					