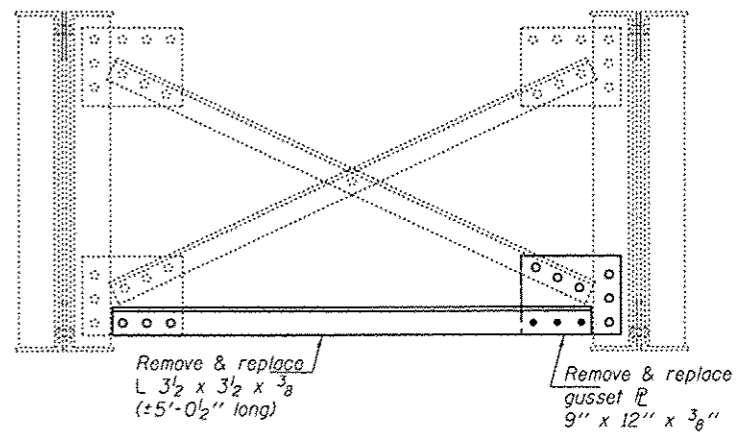
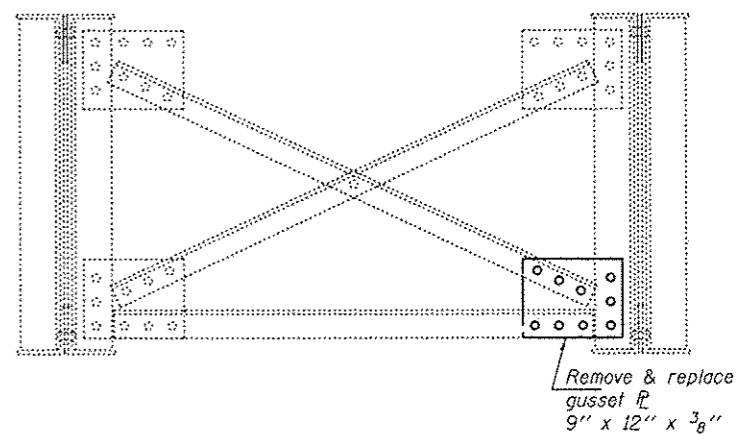


*** Remove existing PJS, & replace with Silicone Joint Sealer as shown.

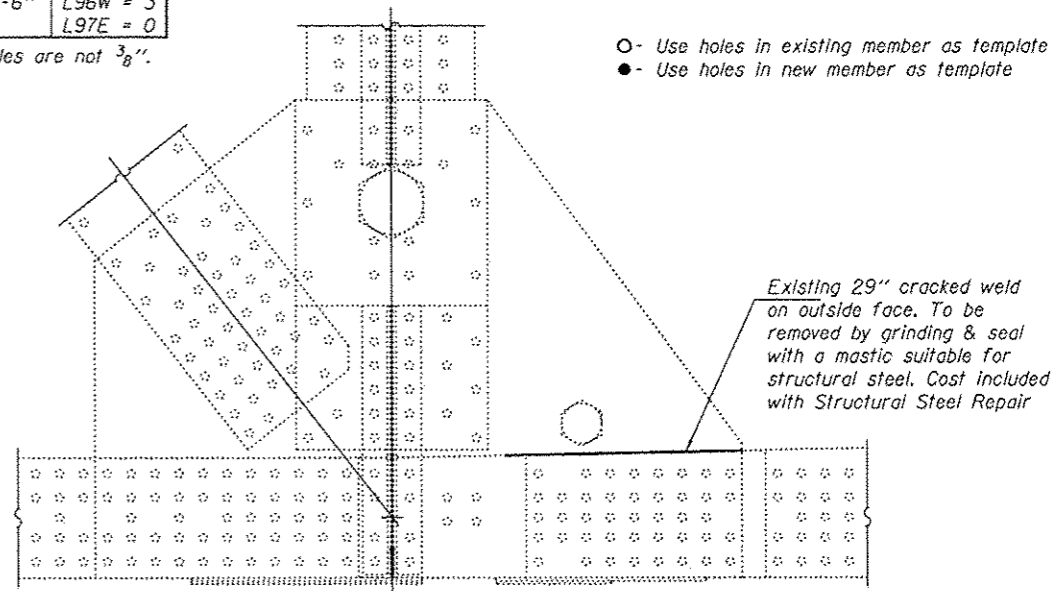
Repair Item #	07/30/12 NBIS Inspection Report Item No.	Location
18	18	Joint at P7N
473	473	Joint at P18N
475	475	Joint at P13N
479	479	Joint at P10N
480	480	Joint at P9N
481	481	Joint at P8N
482	482	Joint at P5N
483	483	Joint at P2N
484	484	Joint at P1N
526	526	Joint at PJS
527	527	Joint at P6S



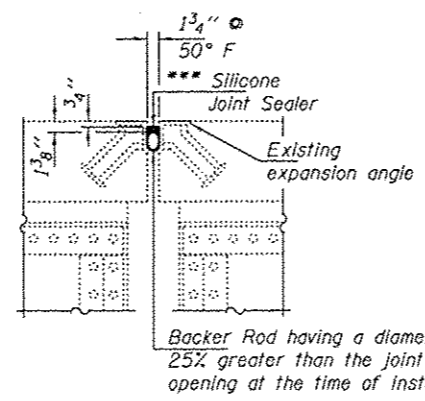
REPAIR ITEM 8



REPAIR ITEM 161



REPAIR ITEM 123

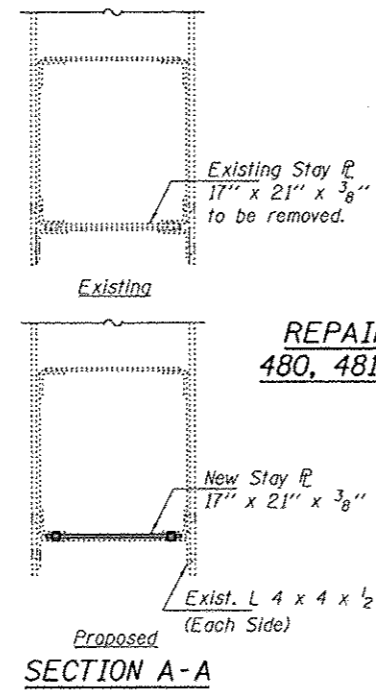
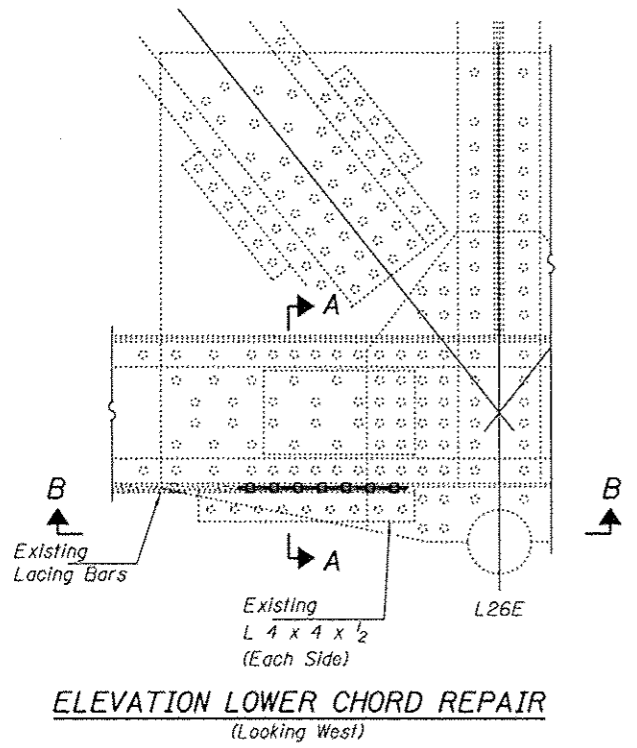


SECTION
REPAIR ITEMS 18, 473, 475, 479, 480, 481, 482, 483, 484, 526 & 527

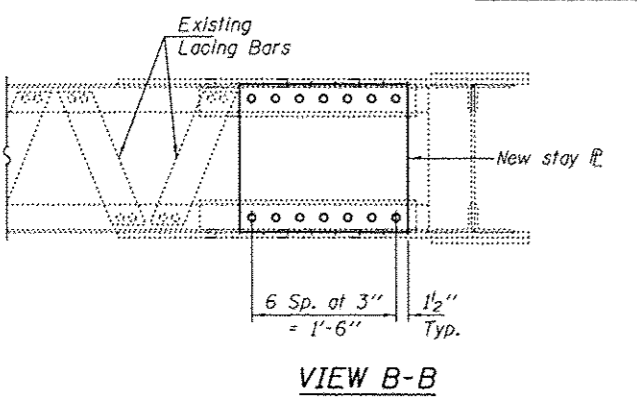
TABLE A

Repair	07/30/12 NBIS Inspection Report Item No.	New Angle size	Member	** Repair Length "L"	No. Bolts "X"
272	272	5x5x3/8	L1E-L2W	L1E = 4'-6" L2W = 7'-6"	L1E = 3 L2W = 6
488	488	5x5x3/8	L1W-L2E	L1W = 0 L2E = 6'-6"	L1W = 0 L2E = 5
400	400	5x5x3/8	L7W-L8E	L7W = 4'-6" L8E = 4'-6"	L7W = 3 L8E = 3
503	503	5x5x3/8	L18W-L19E	L18W = 4'-6" L19E = 5'-6"	L18W = 3 L19E = 4
506	506	* 5x5x3/8	L22E-L23W	L22E = 4'-6" L23W = 4'-6"	L22E = 3 L23W = 3
507	507	* 5x5x3/8	L22W-L23E	L22W = 4'-6" L23E = 5'-6"	L22W = 3 L23E = 4
130	130	* 5x5x3/8	L78E-L79W	L78E = 6'-6" L79W = 4'-6"	L78E = 5 L79W = 3
375	375	* 5x5x3/8	L79E-L80W	L79E = 5'-6" L80W = 4'-6"	L79E = 4 L80W = 3
376	376	* 5x5x3/8	L79W-L80E	L79W = 5'-6" L80E = 4'-6"	L79W = 4 L80E = 3
378	378	* 5x5x3/8	L81W-L82E	L81W = 6'-6" L82E = 4'-6"	L81W = 5 L82E = 3
325	325	5x5x3/8	L94W-L95E	L94W = 4'-6" L95E = 0	L94W = 3 L95E = 0
230	230	5x5x3/8	L96W-L97E	L96W = 4'-6" L97E = 0	L96W = 3 L97E = 0

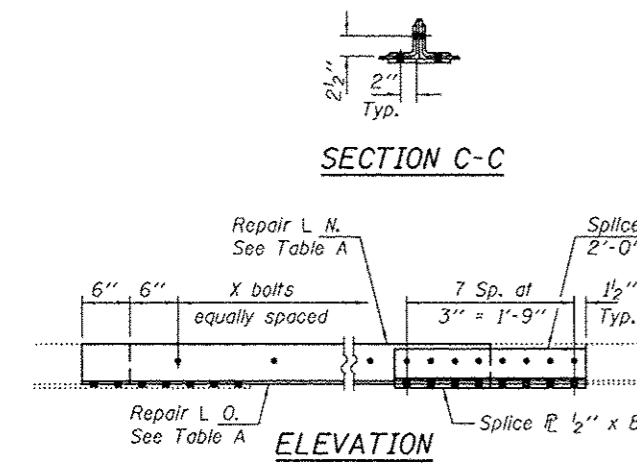
* May require shim plates if existing angles are not 3/8".
** "L" refers to the length of L N.
Length of L O = length of L N + 6".



REPAIR ITEM 195

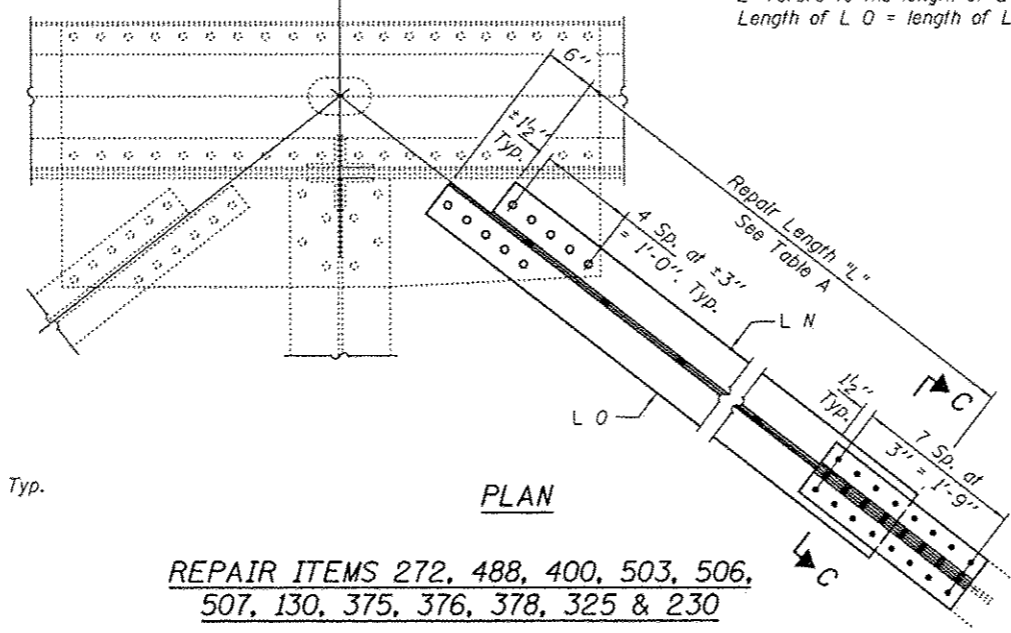


VIEW B-B



SECTION C-C

⊕ L1W, L7W, L18W, L22W, L79W, L81W, L94W or L96W
⊕ L1E, L22E, L78E or L79E



PLAN

REPAIR ITEMS 272, 488, 400, 503, 506, 507, 130, 375, 376, 378, 325 & 230