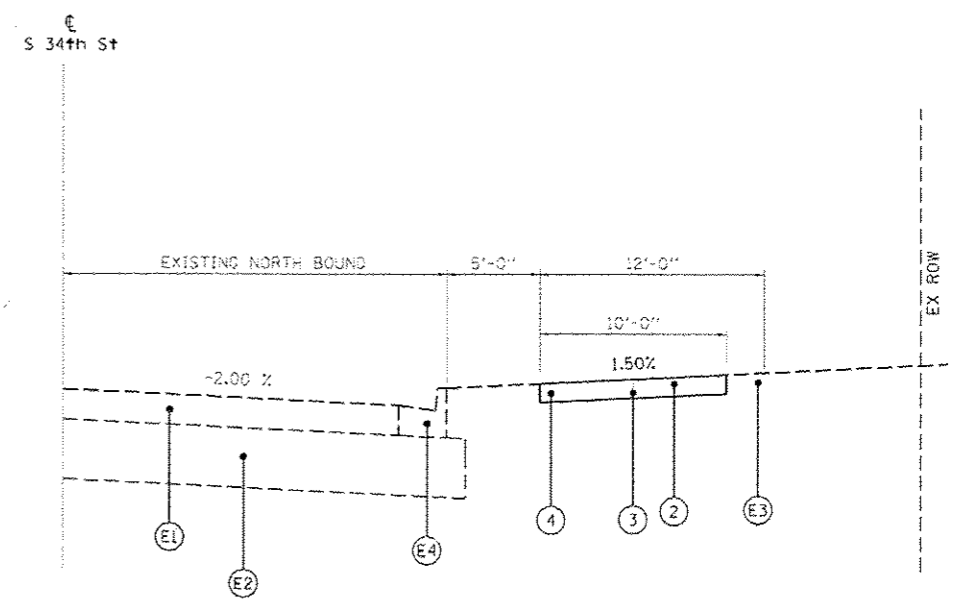
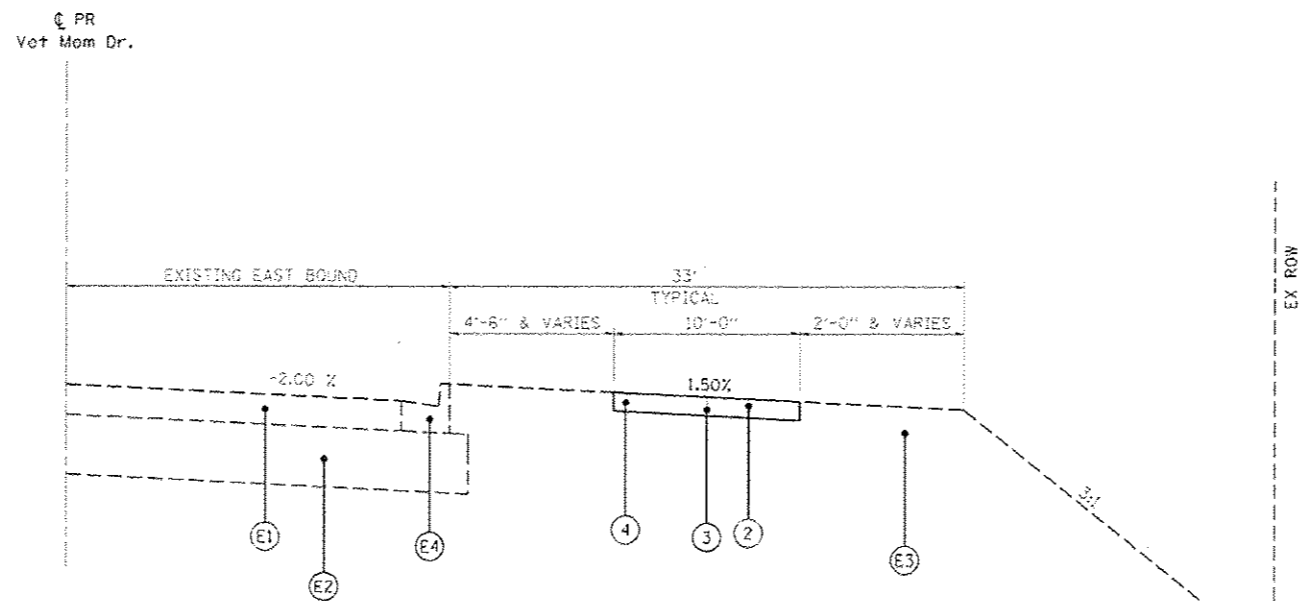


PROPOSED TYPICAL SECTION
SOUTH 34TH STREET TRAIL
STA. 14+29.00 TO STA. 33+72.91



PROPOSED TYPICAL SECTION
SOUTH 34TH STREET TRAIL
STA. 10+05.00 TO STA. 14+29.00



PROPOSED TYPICAL SECTION
VETERANS MEMORIAL DRIVE TRAIL
STA. 76+40.34 TO STA. 102+02.78

TYPICAL SECTION LEGEND

- (E1) EXISTING ROADWAY
- (E2) EXISTING ROADWAY BASE
- (E3) EXISTING EARTH SHOULDER
- (E4) EXISTING CURB & CUTTER TYPE B-6.24
- (1) PROPOSED LIME MODIFIED SOIL MIXTURE 12"
- (2) PROPOSED PORTLAND CEMENT CONCRETE SIDEWALK 5"
- (3) SAWN LONGITUDINAL JOINT
- (4) EARTHWORK*

REVISION 9/4/14 - PROFILE REVISION STATION 80+37.17 TO 87+51.38
- REMOVED LIME MODIFICATION OF EXISTING SOIL

FILE NAME 10/11/14	USER NAME KJS	DESIGNED -	REVISED KJS 9/4/14	HMG ENGINEERS, INC. ENGINEERS - SURVEYORS CARLYLE, ILLINOIS 62231 (618) 594-3711	CITY OF MOUNT VERNON 1100 MAIN STREET, P. O. BOX 1708 MT. VERNON, ILLINOIS 62864 (618) 242-5000	TYPICAL SECTIONS		F.A.U. RTE.	PROJECT VETERANS & 34TH TRAIL	COUNTY JEFFERSON	TOTAL SHEETS 41	SHEET NO. 4
PLOT SCALE 1"=40'	DATE 10/11/14	DRAWN -	REVISED -			SCALE:	SHEET OF SHEETS	STA.	TO STA.	SECTION 10-00133-00-BT	CONTRACT NO. 99534	HMC JOB NO. 7004