

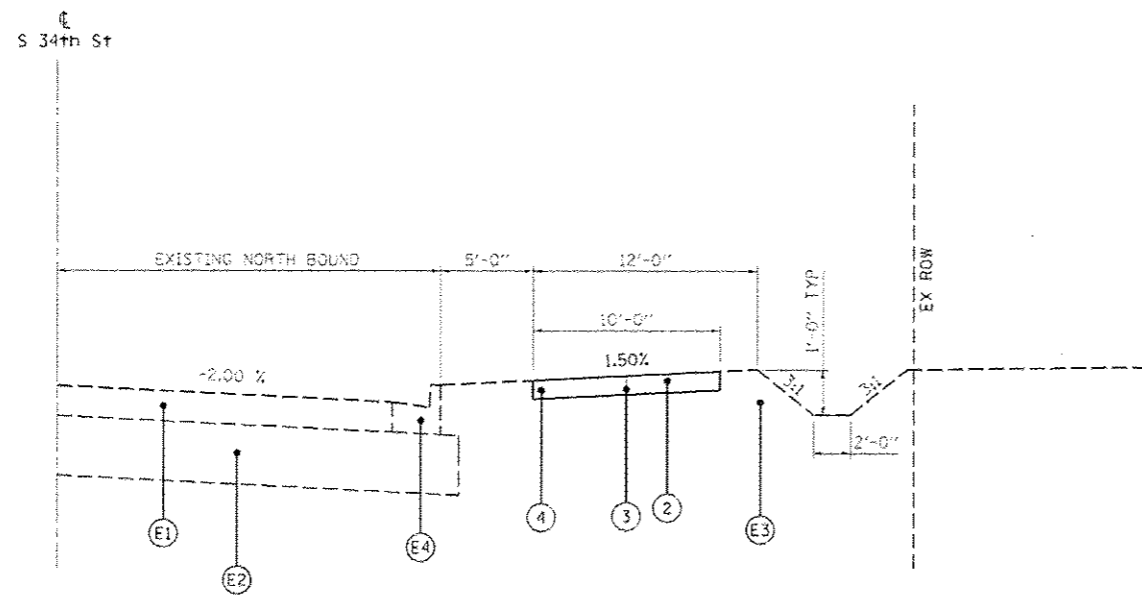
SUMMARY OF QUANTITIES

SPEC. PROV.	SPECIALTY ITEM	CODE NO.	ITEM DESCRIPTION	UNIT	TOTAL QUANTITY
*		20200100	EARTH EXCAVATION	CU YD	695
*		20800150	TRENCH BACKFILL	CU YD	3
		25000110	SEEDING, CLASS 1A	ACRE	3
		25000400	NITROGEN FERTILIZER NUTRIENT	POUND	270
		25000500	PHOSPHORUS FERTILIZER NUTRIENT	POUND	270
		25000600	POTASSIUM FERTILIZER NUTRIENT	POUND	270
		25000700	AGRICULTURAL GROUND LIMESTONE	TON	6
		25100115	MULCH, METHOD 2	ACRE	3
		28000250	TEMPORARY EROSION CONTROL SEEDING	POUND	600
		28000315	AGGREGATE DITCH CHECKS	TON	7
		28000400	PERIMETER EROSION BARRIER	FOOT	2,598
		28000500	INLET AND PIPE PROTECTION	EACH	31
		28100707	STONE DUMPED RIPRAP, CLASS A4	SQ YD	11
		28100709	STONE DUMPED RIPRAP, CLASS A5	SQ YD	25
		28200200	FILTER FABRIC	SQ YD	36
		30200650	PROCESSING MODIFIED SOIL 12"	SQ YD	6,141
		30201500	LIME	TON	152
		35100300	AGGREGATE BASE COURSE, TYPE A 4"	SO YD	125
*		42001300	PROTECTIVE COAT	SO YD	5,225
		42300400	PORTLAND CEMENT CONCRETE DRIVEWAY PAVEMENT, 8 INCH	SO YD	125
		42400200	PORTLAND CEMENT CONCRETE SIDEWALK 5 INCH	SO FT	45,893
		42400800	DETECTABLE WARNINGS	SO FT	288
		44000200	DRIVEWAY PAVEMENT REMOVAL	SO YD	124
		44000500	COMBINATION CURB AND GUTTER REMOVAL	FOOT	37
*		44200944	CLASS B PATCHES, TYPE IV, 8 INCH	SO YD	20
*		50300225	CONCRETE STRUCTURES	CU YD	1.8
		54213660	PRECAST REINFORCED CONCRETE FLARED END SECTIONS 15"	EACH	2
*		59300100	CONTROLLED LOW-STRENGTH MATERIAL	CU YD	2
*		60500050	REMOVING CATCH BASINS	EACH	1
		60605000	COMBINATION CONCRETE CURB AND GUTTER, TYPE B-6.24	FOOT	37
		67100100	MOBILIZATION	L SUM	1
*		72000100	SIGN PANEL - TYPE I	SO FT	95
*		72900200	METAL POST - TYPE B	FOOT	252
*		78009000	MODIFIED URETHANE PAVEMENT MARKING - LETTERS AND SYMBOLS	SO FT	9
*		78009012	MODIFIED URETHANE PAVEMENT MARKING - LINE 12"	FOOT	834
*		78009024	MODIFIED URETHANE PAVEMENT MARKING - LINE 24"	FOOT	24
		542A0220	PIPE CULVERTS, CLASS A, TYPE 1 15"	FOOT	89
*	*	X5091725	BICYCLE RAILING, SPECIAL	FOOT	24
*		X7010216	TRAFFIC CONTROL AND PROTECTION, (SPECIAL)	L SUM	1

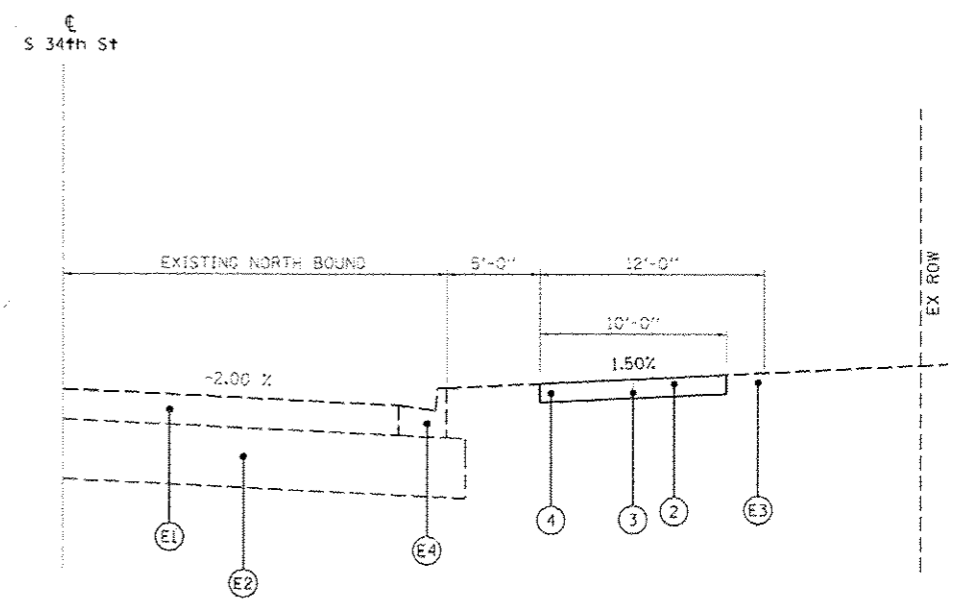
INDEX OF SHEETS

1	COVER
2	SUMMARY OF QUANTITIES
3	GENERAL NOTES & HIGHWAY STANDARDS
4	TYPICAL SECTIONS
5-6	SCHEDULE OF QUANTITIES
7	OVERALL PLAN (AERIAL)
8-12	EXISTING TOPOGRAPHY & REMOVALS
13-22	PLAN & PROFILE
23-27	DRAINAGE & EROSION CONTROL PLAN
28-32	INTERSECTION DETAILS
33-37	PAVEMENT MARKING & SIGNING PLAN
38	TRAFFIC CONTROL PLAN
39	BICYCLE RAILING DETAILS
40	ENTRANCE DETAILS
41	MISCELLANEOUS DETAILS

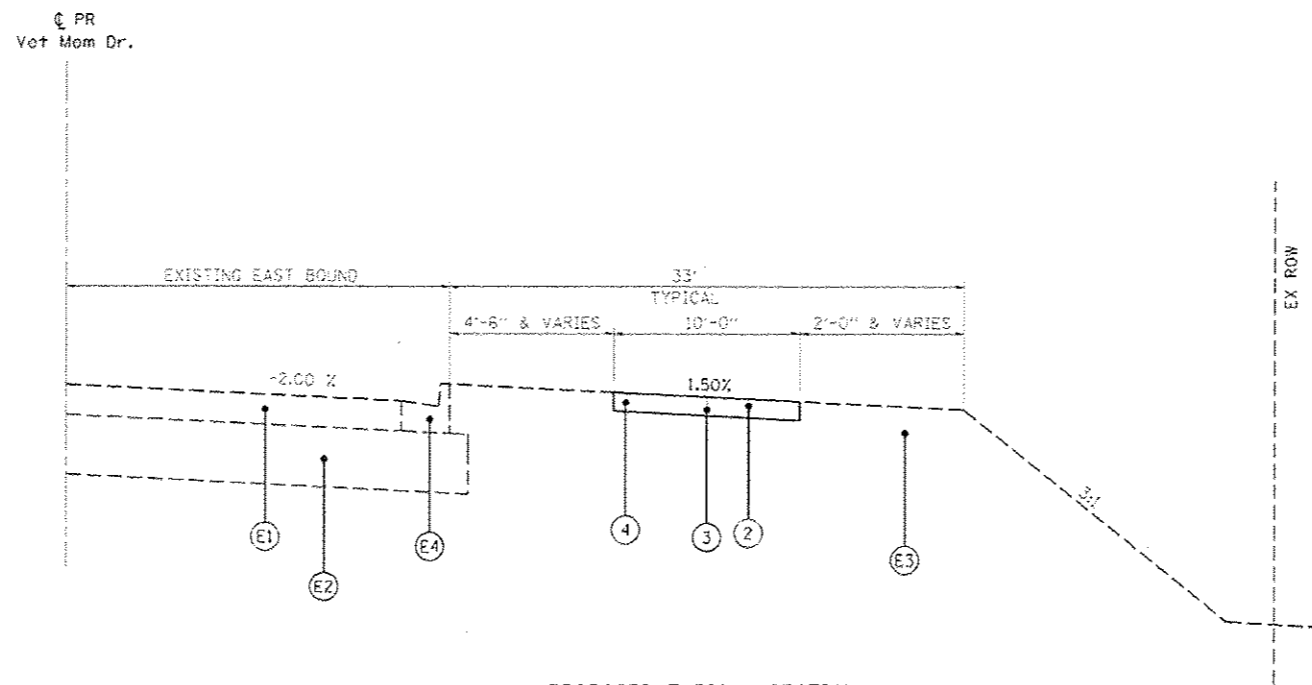
REVISION 9/4/14 - PROFILE REVISION STATION 80+37.17 TO 87+51.38
- REMOVED LIME MODIFICATION OF EXISTING SOIL



PROPOSED TYPICAL SECTION
SOUTH 34TH STREET TRAIL
STA. 14+29.00 TO STA. 33+72.91



PROPOSED TYPICAL SECTION
SOUTH 34TH STREET TRAIL
STA. 10+05.00 TO STA. 14+29.00



PROPOSED TYPICAL SECTION
VETERANS MEMORIAL DRIVE TRAIL
STA. 76+40.34 TO STA. 102+02.78

- TYPICAL SECTION LEGEND**
- (E1) EXISTING ROADWAY
 - (E2) EXISTING ROADWAY BASE
 - (E3) EXISTING EARTH SHOULDER
 - (E4) EXISTING CURB & CUTTER TYPE B-6.24
 - (1) PROPOSED LIME MODIFIED SOIL MIXTURE 12"
 - (2) PROPOSED PORTLAND CEMENT CONCRETE SIDEWALK 5"
 - (3) SAWN LONGITUDINAL JOINT
 - (4) EARTHWORK*

REVISION 9/4/14 - PROFILE REVISION STATION 80+37.17 TO 87+51.38
- REMOVED LIME MODIFICATION OF EXISTING SOIL

FILE NAME 10/11/14	USER NAME KJS	DESIGNED -	REVISED KJS 9/4/14		HMG ENGINEERS, INC. ENGINEERS - SURVEYORS CARLYLE, ILLINOIS 62231 (618) 594-3711		CITY OF MOUNT VERNON 1100 MAIN STREET, P. O. BOX 1708 MT. VERNON, ILLINOIS 62864 (618) 242-5000	TYPICAL SECTIONS			F.A.U. RTE.	PROJECT	COUNTY	TOTAL SHEETS	SHEET NO.
PLOT SCALE 1"=40'	DRAWN -	REVISIONS -	VAR								VETERANS & 34TH TRAIL	JEFFERSON	41	4	
PLOT DATE 10/11/14	CHECKED -	REVISIONS -	SECTION					10-00133-00-BT	CONTRACT NO. 99534						
	DATE -	REVISIONS -	PROJECT					TE-0009401	HMC JOB NO. 7004						

SIDEWALK SCHEDULE

LOCATION				PORTLAND CEMENT CONCRETE SIDEWALK 5 INCH	PROCESSING MODIFIED SOIL 12"	LIME	PROTECTIVE COAT	DETECTABLE WARNINGS
				SO FT	SO YD	TON	SO YD	SO FT
VETERANS MEMORIAL DRIVE								
STA	76+00.00	TO	STA 79+94.00	3551.5	471.3	11.7	395.5	18.7
STA	80+25.48	TO	STA 87+67.36	7190.8	956.9	23.7	799.0	20.0
STA	88+59.32	TO	STA 98+57.50	10052.2	1373.5	34.0	1116.9	88.2
STA	98+69.50	TO	STA 100+28.00	1253.2	137.6	3.4	139.2	
STA	100+40.00	TO	STA 101+05.00	488.8	67.8	1.9	54.3	
STA	101+29.00	TO	STA 102+06.31	564.0	76.1	2.1	62.7	18.4
SOUTH 34TH STREET								
STA	10+10.77	TO	STA 12+91.21	2856.5	376.9	9.3	317.4	58.5
STA	12+91.21	TO	STA 27+26.69	14181.3	1883.0	46.6	1575.7	39.9
STA	27+58.89	TO	STA 34+36.24	5753.9	761.4	18.8	639.3	43.4
TOTALS				45892.1	6140.5	152.0	5100.0	287.1
USE				45893	6141	152	5100	288

PAVEMENT MARKING SCHEDULE

LOCATION				MODIFIED URETHANE PAVEMENT MARKING - LINE 12"	MODIFIED URETHANE PAVEMENT MARKING - LINE 24"	MODIFIED URETHANE PAVEMENT MARKING - LETTERS AND SYMBOLS
				FOOT	FOOT	SO FT
VETERANS MEMORIAL DRIVE						
STA	79+90.69	TO	STA 80+35.30	78.1		
STA	87+67.64	TO	STA 88+87.98	418.7		
SOUTH 34TH STREET						
STA	10+44.93	TO	STA 10+46.93		24.0	
STA	24+89.72	TO	STA 25+63.21	240.0		9.0
STA	27+19.53	TO	STA 27+78.97	96.4		
TOTALS				833.3	24.0	9.0
USE				834	24	9

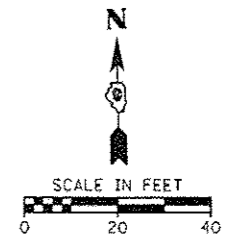
BICYCLE RAILING SCHEDULE

LOCATION	BICYCLE RAILING, SPECIAL	CONCRETE STRUCTURES
	FOOT	CU YD
VETERANS MEMORIAL DRIVE		
STA 99+31.85	RT 23.5	1.8
TOTALS	23.5	1.8
USE	24	1.8

STORM SEWER SCHEDULE

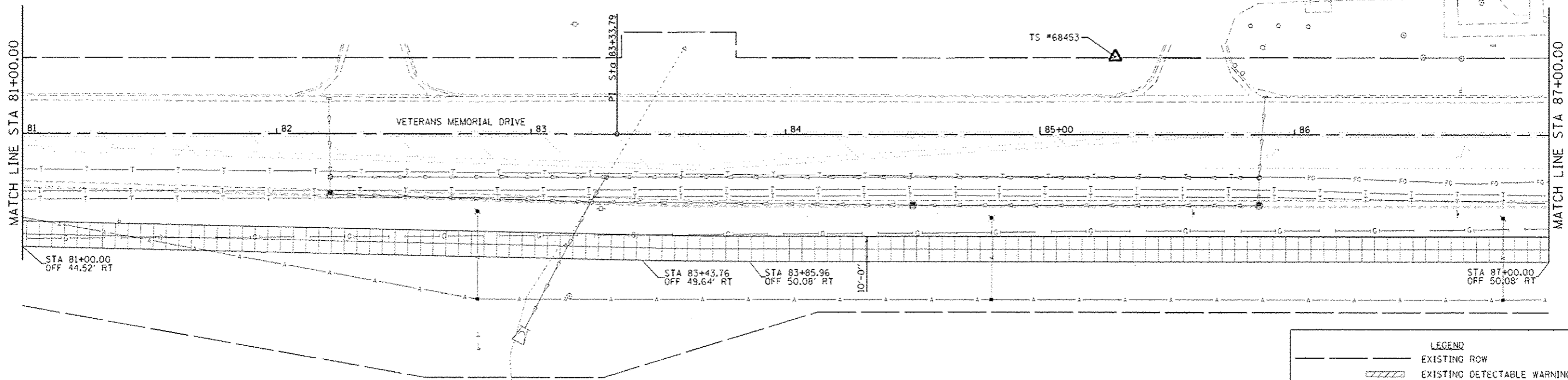
LOCATION				PIPE CULVERTS, CLASS A, TYPE 1 15"	CONTROLLED LOW-STRENGTH MATERIAL	TRENCH BACKFILL	REMOVING CATCH BASIN	PRECAST REINFORCED CONCRETE FLARED END SECTIONS 15"	STONE DUMPED RIPRAP, CLASS A4	STONE DUMPED RIPRAP, CLASS A5	FILTER FABRIC	AGGREGATE DITCH CHECKS	INLET AND PIPE PROTECTION
				FOOT	CU YD	CU YD	EACH	EACH	SO YD	SO YD	SO YD	TON	EACH
VETERANS MEMORIAL DRIVE													
STA	78+38.96	16.81	FT RT										1
STA	79+32.15	17.02	FT RT										1
STA	82+21.01	23.72	FT RT										1
STA	82+92.21	92.21	FT RT									6.2	1
STA	84+50.00	27.72	FT RT										1
STA	85+86.00	27.72	FT RT										1
STA	87+25.00	27.72	FT RT										1
STA	90+67.00	27.72	FT RT										1
STA	93+16.55	26.50	FT RT										1
STA	94+31.99	23.22	FT RT										1
STA	95+49.99	19.82	FT RT										1
STA	96+64.99	16.52	FT RT										1
STA	97+42.62	13.75	FT RT										1
STA	98+14.76	13.65	FT RT										1
STA	98+23.84	40.00	FT RT	89.0		2.1		1					1
STA	99+25.10	40.00	FT RT					1	11.0	24.3	35.3		1
STA	98+40.26	27.55	FT RT		1.3		1						1
SOUTH 34TH STREET													
STA	10+12.61	72.93	FT RT										1
STA	10+53.92	20.37	FT RT										1
STA	11+08.00	19.06	FT RT										1
STA	12+10.00	19.06	FT RT										1
STA	13+12.00	19.06	FT RT										1
STA	14+29.00	19.22	FT RT										1
STA	16+00.00	19.06	FT RT										1
STA	17+50.00	19.06	FT RT										1
STA	19+00.00	19.06	FT RT										1
STA	20+50.00	19.06	FT RT										1
STA	22+75.00	19.06	FT RT										1
STA	22+75.00	41.10	FT RT										1
STA	24+50.00	19.06	FT RT										1
STA	26+25.00	19.06	FT RT										1
STA	28+25.00	19.06	FT RT										1
STA	30+75.00	19.06	FT RT										1
STA	33+00.00	19.15	FT RT										1
TOTALS				89.0	1.3	2.1	1	2	11.0	24.3	35.3	6.2	31
USE				89	2	3	1	2	11	25	36	7	31

REVISION 9/4/14 - PROFILE REVISION STATION 80+37.17 TO 87+51.38
- REMOVED LIME MODIFICATION OF EXISTING SOIL



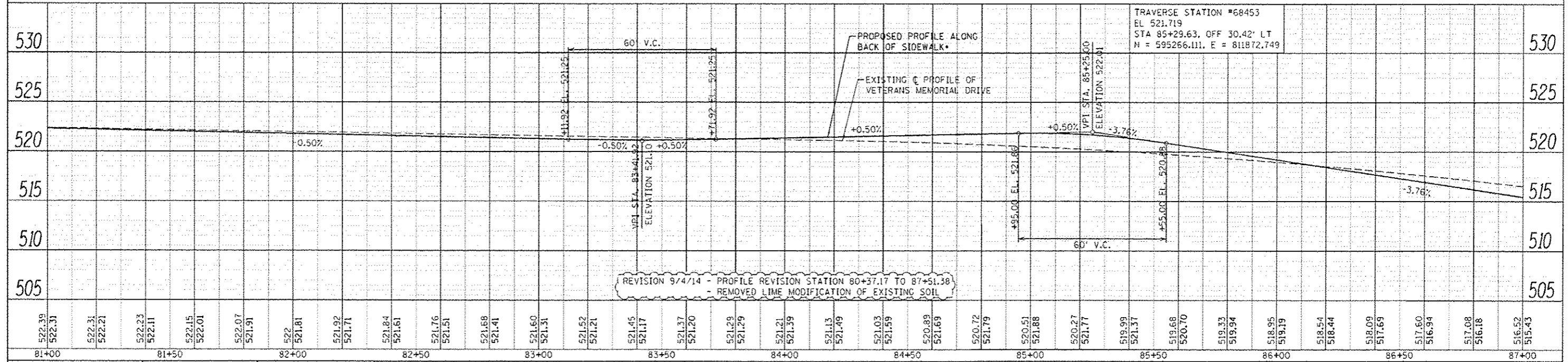
PLAN	DATE
REVISED	
DATE	
BY	
DATE	
BY	
DATE	
BY	
DATE	

PROFILE	DATE
REVISED	
DATE	
BY	
DATE	
BY	
DATE	
BY	
DATE	

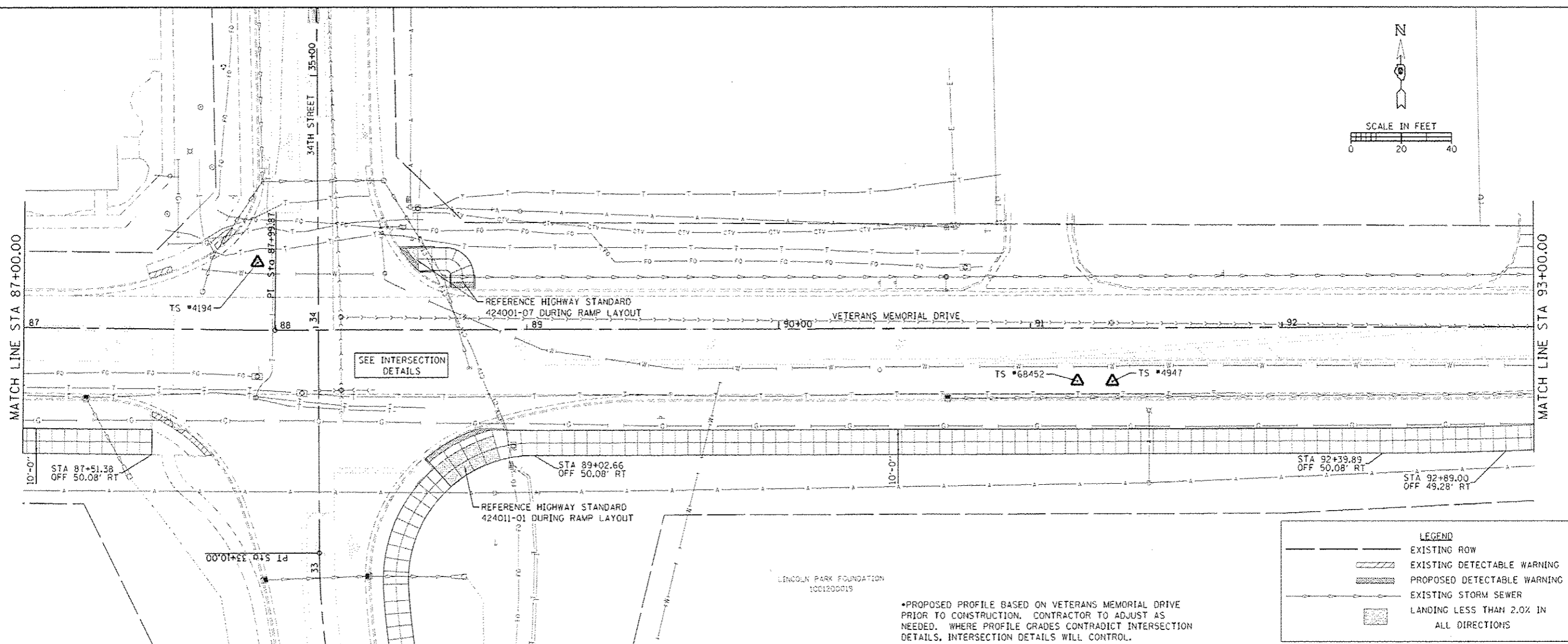
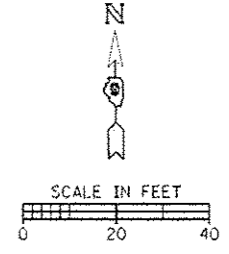


*PROPOSED PROFILE BASED ON VETERANS MEMORIAL DRIVE PRIOR TO CONSTRUCTION. CONTRACTOR TO ADJUST AS NEEDED. WHERE PROFILE GRADES CONTRADICT INTERSECTION DETAILS, INTERSECTION DETAILS WILL CONTROL.

LEGEND	
	EXISTING ROW
	EXISTING DETECTABLE WARNING
	PROPOSED DETECTABLE WARNING
	EXISTING STORM SEWER
	LANDING LESS THAN 2.0% IN ALL DIRECTIONS



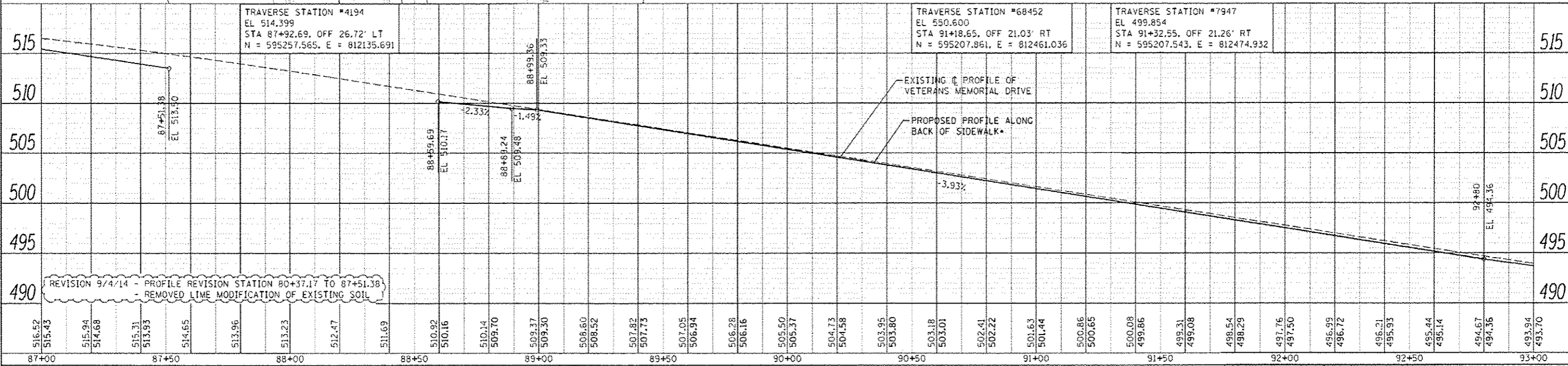
FILE NAME	USER NAME	DESIGNED	REVISED	HMG ENGINEERS, INC.	CITY OF MOUNT VERNON	PLAN & PROFILE	F.A.D.	PROJECT	COUNTY	TOTAL SHEETS	SHEET NO.
FILE#		DRAWN	REVISED	ENGINEERS - SURVEYORS	1100 MAIN STREET, P. O. BOX 1708	MT VERNON VETERANS MEMORIAL DRIVE	VAR	VETERANS & 34TH TRAIL	JEFFERSON	41	19
AMC/DLW/MS		CHECKED	REVISED	CARLYLE, ILLINOIS 62231	MT. VERNON, ILLINOIS 62864	SCALE:	SECTION 10-00133-00-BT			CONTRACT NO. 99534	
		DATE	REVISED	(618) 594-3711	(618) 242-5000	SHEET OF SHEETS	PROJECT TE-0009(10)			HMG JOB NO. 7004	



LEGEND

- EXISTING ROW
- EXISTING DETECTABLE WARNING
- PROPOSED DETECTABLE WARNING
- EXISTING STORM SEWER
- LANDING LESS THAN 2.0% IN ALL DIRECTIONS

*PROPOSED PROFILE BASED ON VETERANS MEMORIAL DRIVE PRIOR TO CONSTRUCTION. CONTRACTOR TO ADJUST AS NEEDED. WHERE PROFILE GRADES CONTRADICT INTERSECTION DETAILS, INTERSECTION DETAILS WILL CONTROL.



DATE: _____ BY: _____

REVISION: _____

NOTE: _____

DATE: _____ BY: _____

REVISION: _____

NOTE: _____

FILE NAME: _____	USER NAME: _____	DESIGNED: _____	REVISED: KJS 9/4/14	<p>HMG ENGINEERS, INC. ENGINEERS • SURVEYORS CARLYLE, ILLINOIS 62231 (618) 594-3711</p>	<p>CITY OF MOUNT VERNON 1100 MAIN STREET, P. O. BOX 1708 MT. VERNON, ILLINOIS 62864 (618) 242-5000</p>	PLAN & PROFILE				F.A.U. _____	PROJECT _____	COUNTY _____	TOTAL SHEET _____
SCALE: _____	SHEET _____	OF _____	SHEETS _____			STA. _____	TO STA. _____	MT VERNON VETERANS MEMORIAL DRIVE		VAR: VETERANS & 34TH TRAIL	JEFFERSON	41	20
						SECTION 10-00133-00-BT		CONTRACT NO. 99534					
						PROJECT TE-00091(01)		HMG JOB NO. 7004					