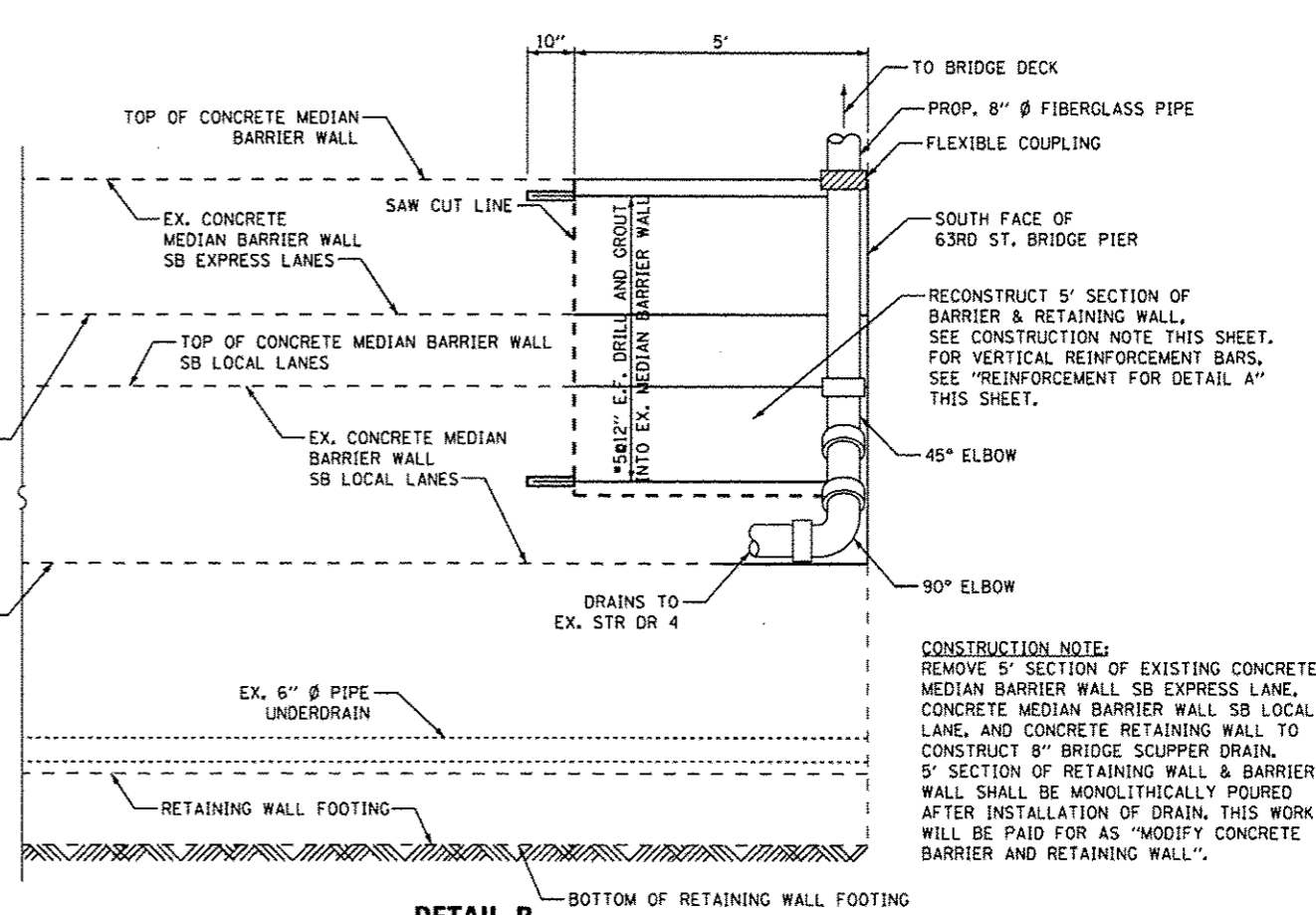
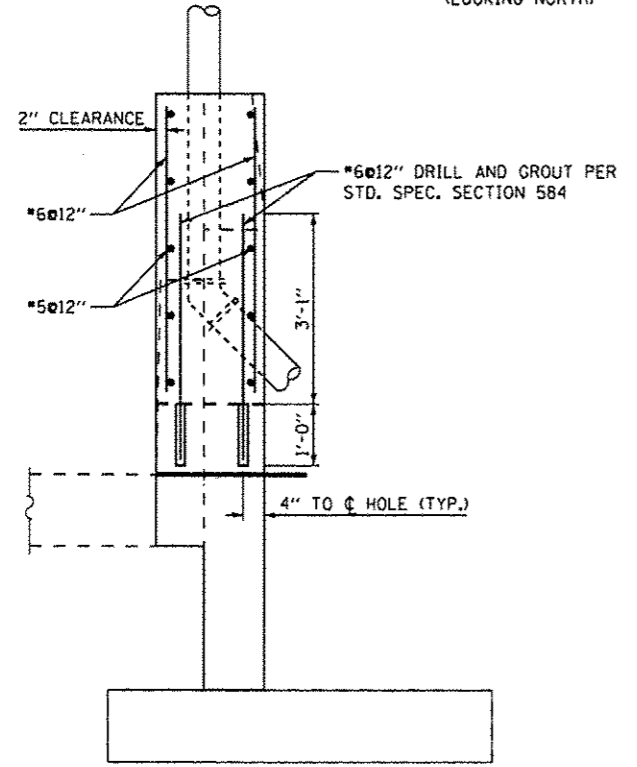


DETAIL A
(LOOKING NORTH)

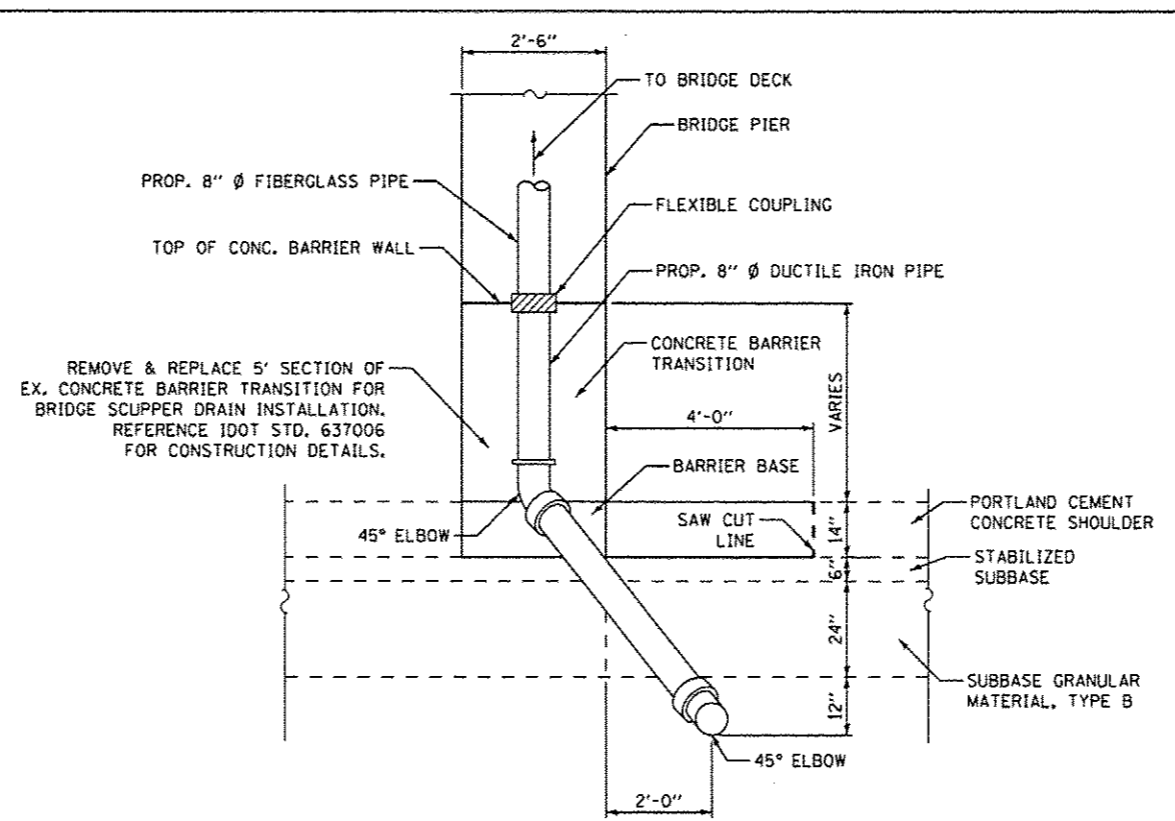


DETAIL B
(LOOKING WEST)

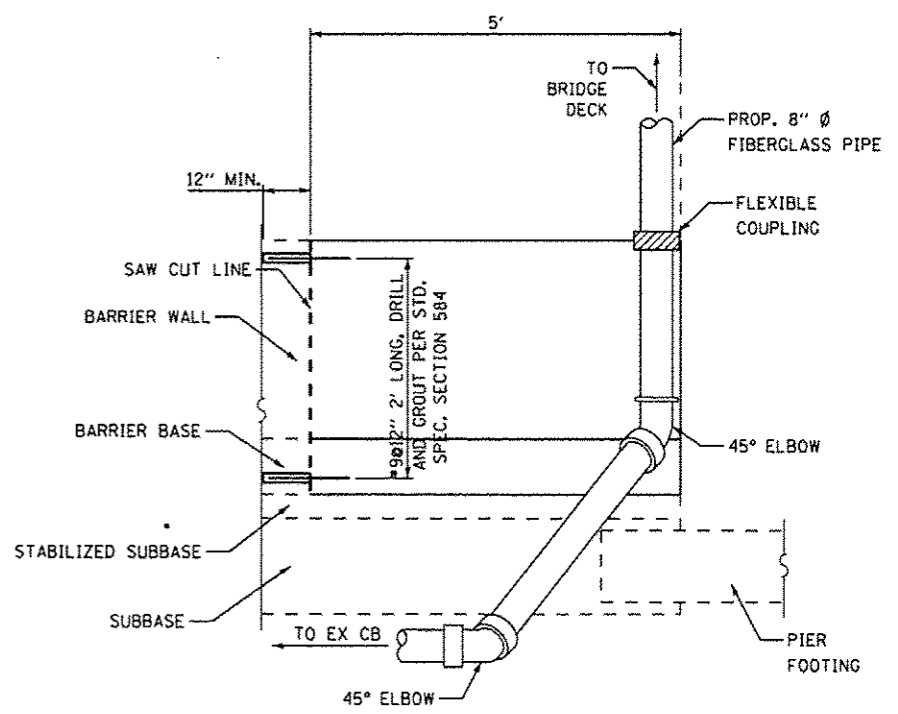
CONSTRUCTION NOTE:
 REMOVE 5' SECTION OF EXISTING CONCRETE MEDIAN BARRIER WALL SB EXPRESS LANE, CONCRETE MEDIAN BARRIER WALL SB LOCAL LANE, AND CONCRETE RETAINING WALL TO CONSTRUCT 8' BRIDGE SCUPPER DRAIN. 5' SECTION OF RETAINING WALL & BARRIER WALL SHALL BE MONOLITHICALLY POURED AFTER INSTALLATION OF DRAIN. THIS WORK WILL BE PAID FOR AS "MODIFY CONCRETE BARRIER AND RETAINING WALL".



REINFORCEMENT FOR DETAIL A
(LOOKING NORTH)



DETAIL C
(LOOKING NORTH)



DETAIL D
(LOOKING WEST - DR1; LOOKING EAST - DR2 & DR3)

FILE NAME *	USER NAME * #USER*	DESIGNED - KMM	REVISED -
#FILE#		DRAWN - LV	REVISED -
		CHECKED - JDH	REVISED -
		DATE - 02-22-2012	REVISED -

**STATE OF ILLINOIS
 DEPARTMENT OF TRANSPORTATION**

**DRAINAGE AND BARRIER WALL DETAILS
 DAN RYAN EXPRESSWAY AT 63RD STREET BRIDGE**

SCALE: N.T.S. SHEET NO. OF SHEETS STA. TO STA.

F.A.I. RTE.	SECTION	COUNTY	TOTAL SHEETS	SHEET NO.
94	1920-B	COOK	137	22
ILLINOIS FED. AID PROJECT			CONTRACT NO. 60J15	