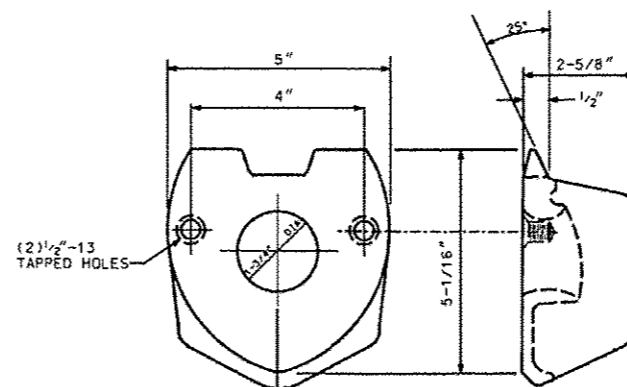
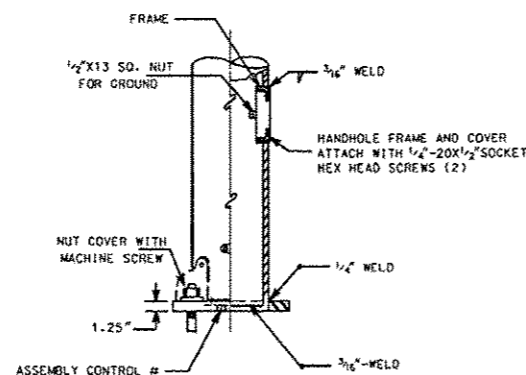
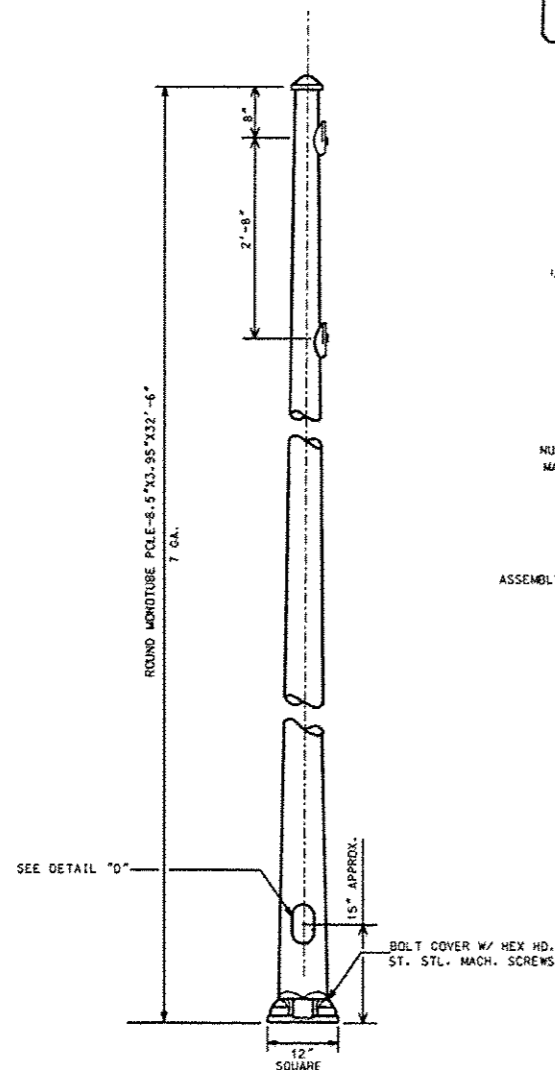


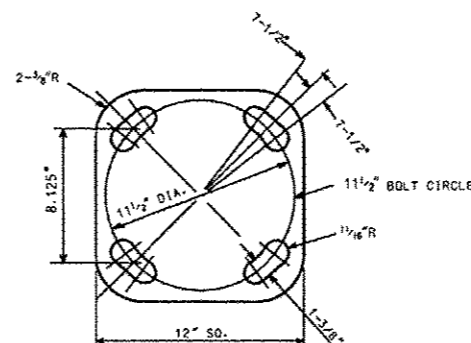
SECTION AT POLE PLATE



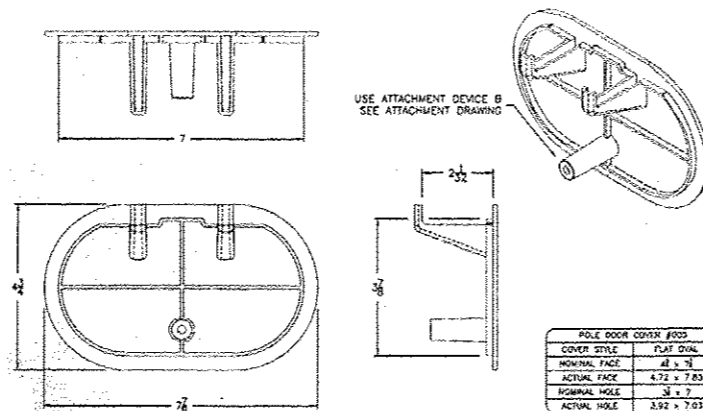
2 BOLT MAST ARM ATTACHMENT
FOR DETAILS SEE DRG. # 659 MATERIAL: CAST STEEL



DETAIL "D"



DETAIL "A"
BOLT SLOTS



HANDHOLE DETAIL

POLE DOOR COVER DIMS	
COVER SIZE	POLE DIA.
NOMINAL FACE	48 x 78
ACTUAL FACE	47.2 x 7.83
NOMINAL HOLE	38 x 7
ACTUAL HOLE	37.92 x 7.03

3.95" x 8.5" STEEL / 32'-6" POLE
7 GAUGE

CITY OF CHICAGO
DEPT. OF STREETS AND SANITATION
BUREAU OF ELECTRICITY
DIVISION OF ELECTRICAL ENGINEERING

DRAFTSMAN ROBERT IVY	CHIEF DRAFTSMAN ROBERT CARTER	ENGINEER RON POOL
SUPERVISING ENGINEER	ELEC. DESIGN ENGR.	DWG. NO.
ENGINEER-OP. ELECTRICITY		762
DEPT. Supt. OF ELECTRICITY		
DEPUTY COMMISSIONER		10-03-01

J:\238\Drawn\Sheet\CDOT\DRG05-shr-CDOT1012.dgn

SINGH
SINGH & ASSOCIATES, INC.
CONSULTING ENGINEERS

USER NAME - kprojapati	DESIGNED - BN	REVISED -
PLOT SCALE - 2.0000001.000000	DRAWN - AM	REVISED -
PLOT DATE - 15-MAY-2013 17:26	CHECKED - KGP	REVISED -
	DATE - 5/15/2013	REVISED -

CITY OF CHICAGO
DEPARTMENT OF TRANSPORTATION
DIVISION OF ENGINEERING

63rd STREET OVER DAN RYAN EXPRESSWAY (I-90 / 94)
CDOT STANDARD DETAILS

SCALE: N.T.S. SHEET NO. 12 OF 13 SHEETS STA. TO STA.

F.A.I. RTE.	SECTION	COUNTY	TOTAL SHEETS	SHEET NO.
94	1920-B	COOK	137	58
FED. ROAD DIST. NO. 1 [ILLINOIS] FED. AID PROJECT				