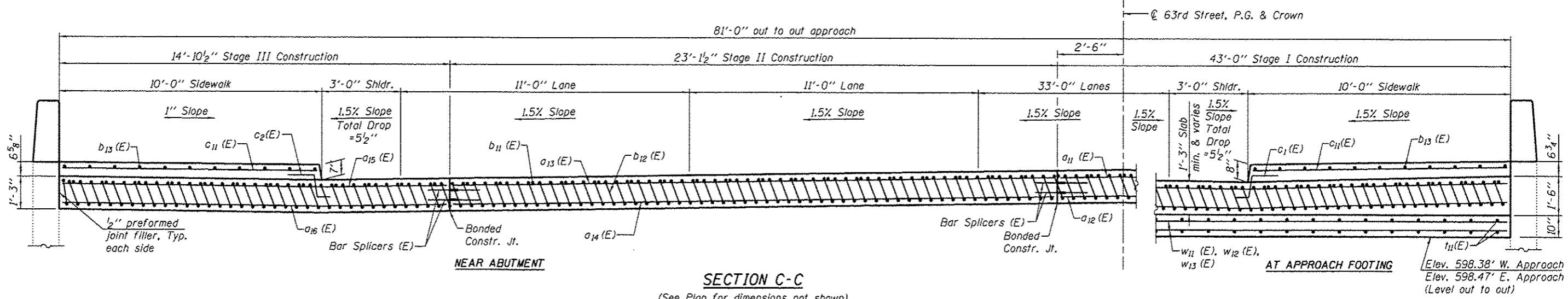
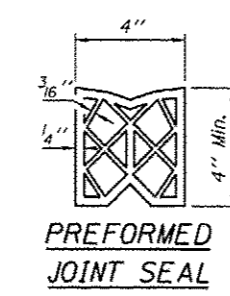
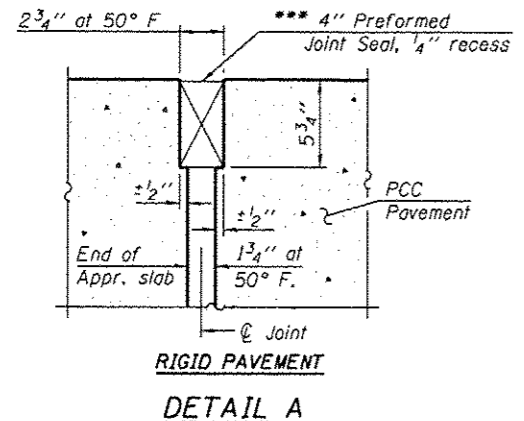


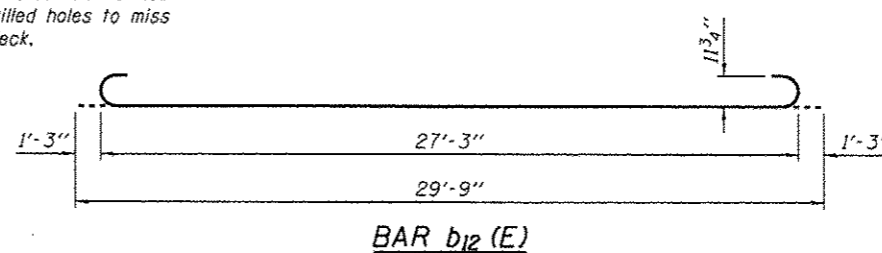
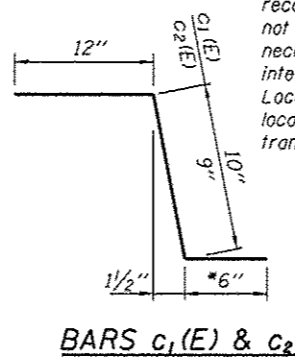
* Tilt #9 b₁₂ (E) bars as required to maintain clearance.
 ** Cost included with Concrete Superstructure.
 ** 10 mil. Polyethylene bond breaker on steel trowel finish



*** Cost included with Concrete Superstructure.



*In lieu of bottom leg, the deck may be drilled and the c₁(E) and c₂(E) bars may be set according to Article 509.06 of the Standard Specifications. Drilled holes shall be roughened or scored per manufacturer's recommendations. Maximum depth of hole shall not exceed 6". Contractor shall take all necessary precautions to prevent drilled hole interference with deck reinforcement bars. Locate longitudinal bars to miss drilled locations. Locate drilled holes to miss transverse bars in deck.



**TWO APPROACHES
BILL OF MATERIAL**

Bar	No.	Size	Length	Shape
a ₁₁ (E)	100	#4	22'-8"	—
a ₁₂ (E)	184	#5	23'-0"	—
a ₁₃ (E)	50	#4	22'-9"	—
a ₁₄ (E)	92	#5	22'-9"	—
a ₁₅ (E)	50	#4	14'-6"	—
a ₁₆ (E)	92	#5	14'-6"	—
b ₁₁ (E)	132	#4	29'-8"	—
b ₁₂ (E)	390	#9	29'-9"	—
b ₁₃ (E)	44	#5	31'-2"	—
c ₁ (E)	62	#5	2'-4"	—
c ₂ (E)	62	#5	2'-3"	—
c ₁₁ (E)	124	#5	9'-6"	—
I ₁₁ (E)	332	#4	9'-8"	—
w ₁₁ (E)	160	#5	23'-0"	—
w ₁₂ (E)	80	#5	22'-9"	—
w ₁₃ (E)	80	#5	14'-6"	—
Concrete Structures		Cu. Yd.	50.0	
Concrete Superstructure		Cu. Yd.	263.5	
Reinforcement Bars, Epoxy Coated		Pound	64,860	

- NOTES**
1. Approach slab and sidewalk concrete shall be paid for as Concrete Superstructure.
 2. Approach footing concrete shall be paid for as Concrete Structures.
 3. Reinforcement shall be paid for as Reinforcement Bars, Epoxy Coated.
 4. The approach footing maximum applied service bearing pressure (O_{max}) = 2.0 ksf.
 5. For bar splicer details, see sheet S49.
 6. Cost of excavation for approach footing included with Concrete Structures.
 7. For Granular Backfill for Structures and drainage treatment details, see sheet S34.

H:\jbs2010\20100223\CAD\Structural\dem\016-1149_Final\00-DWG\05-S21-appro-sc.dgn
 5/20/2013 10:24:06 AM