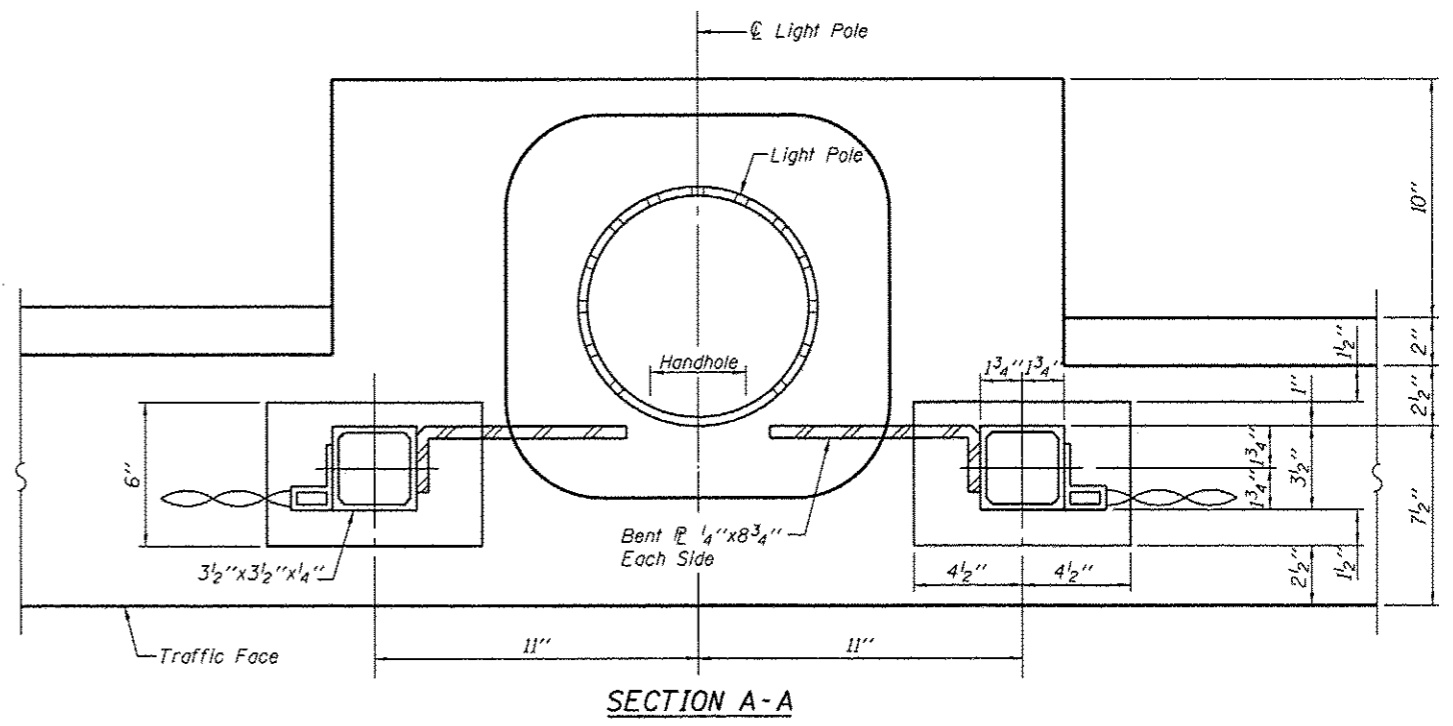
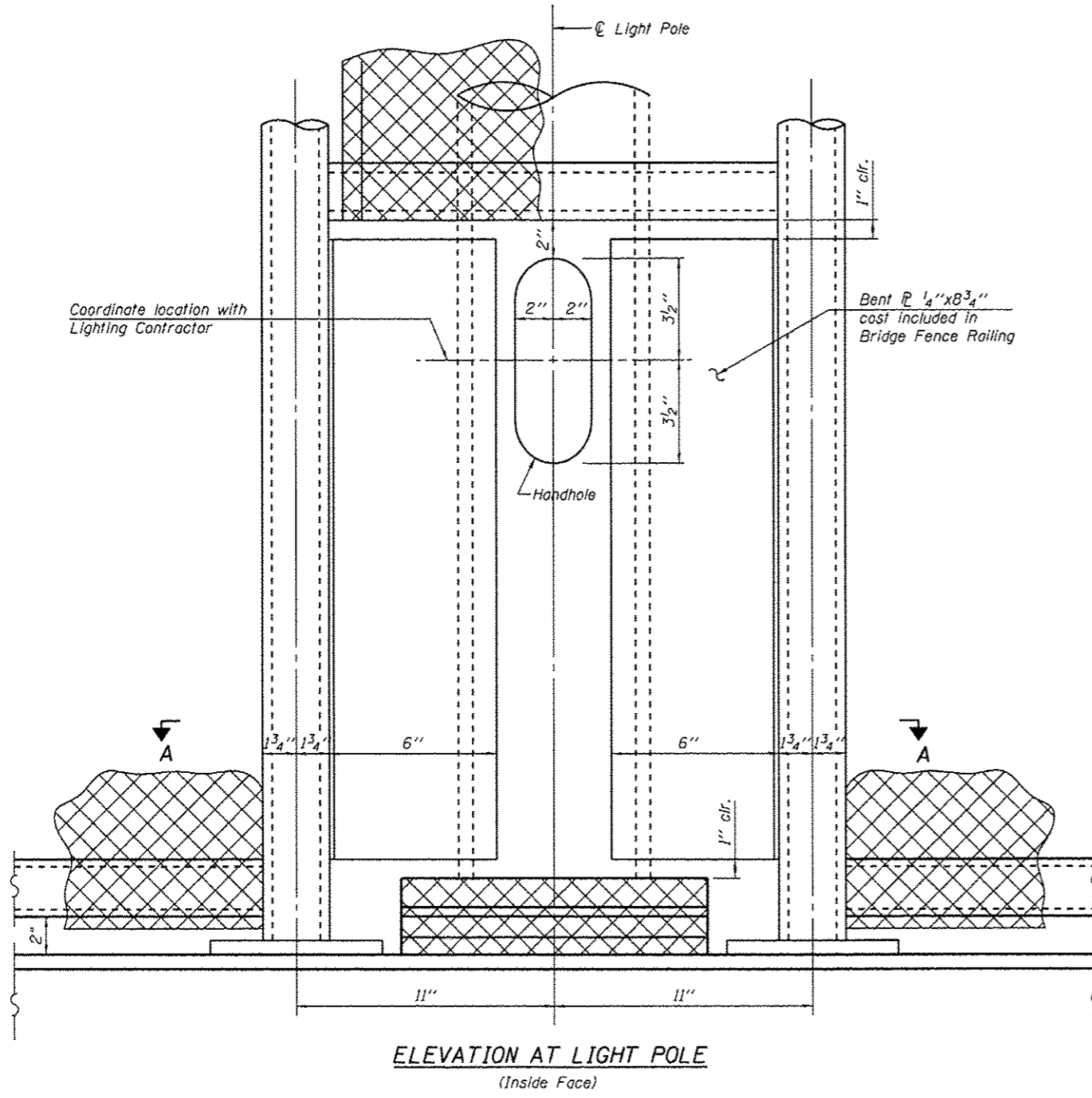


H:\Jobs\2013\2013022\CAD\Structural\016-1149_Final\00\016015-s23-railing-dt.dgn
 5/20/2013 10:24:07 AM



NOTES
 1. Work this sheet with sheets S18, S22 and S36.

GRUF
 8501 W. Higgins Road Suite 280
 Chicago, Illinois 60631 (773) 399-0112

USER NAME	DESIGNED - J.Z.	REVISED -
PLOT SCALE	CHECKED - J.A.Z.	REVISED -
PLOT DATE	DRAWN - E.E.J.	REVISED -
	DATE - 5/17/2013	REVISED -

STATE OF ILLINOIS
DEPARTMENT OF TRANSPORTATION

BRIDGE FENCE RAILING DETAILS
STRUCTURE NO. 016-1149

SHEET NO. S23 OF 50 SHEETS

F.A.I. RTE.	SECTION	COUNTY	TOTAL SHEETS	SHEET NO.
94	1920-B	COOK	137	82
CONTRACT NO. 60J15				
ILLINOIS FED. AID PROJECT				