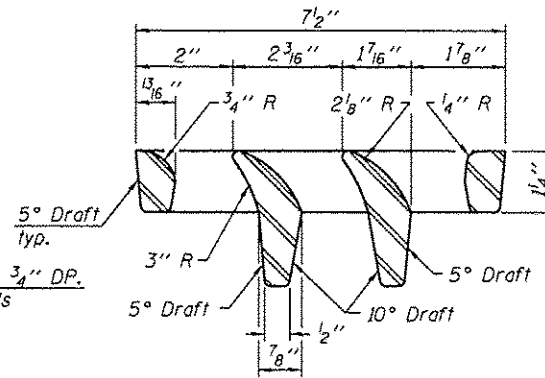
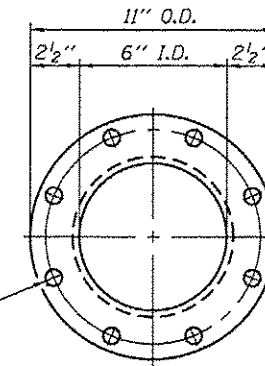


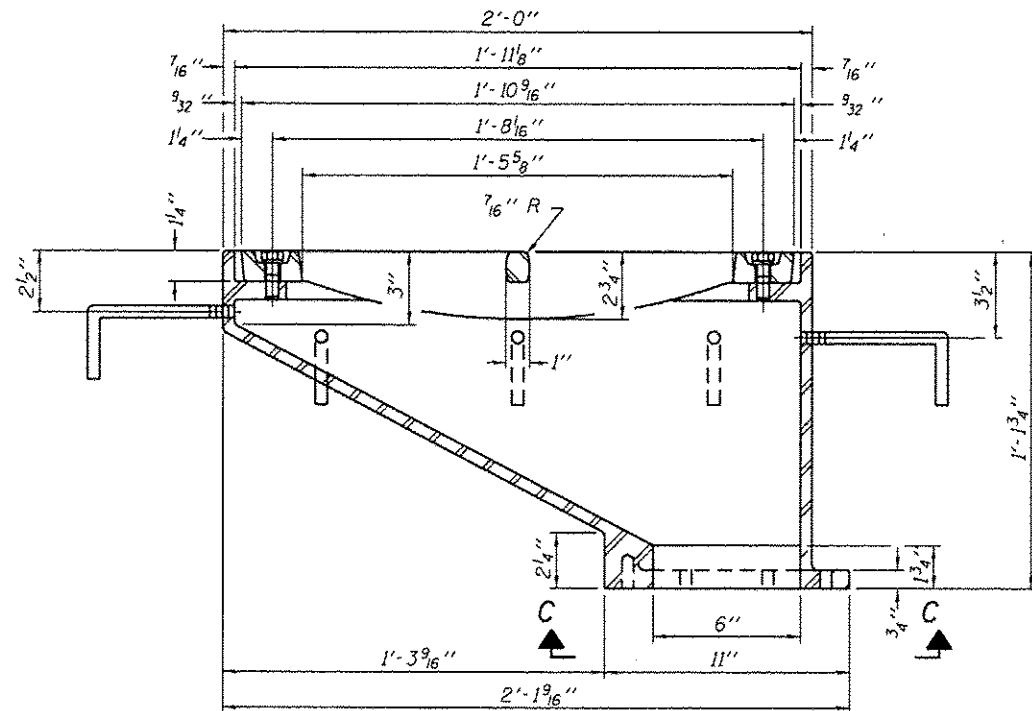
PLAN



VANE GRATE DETAIL

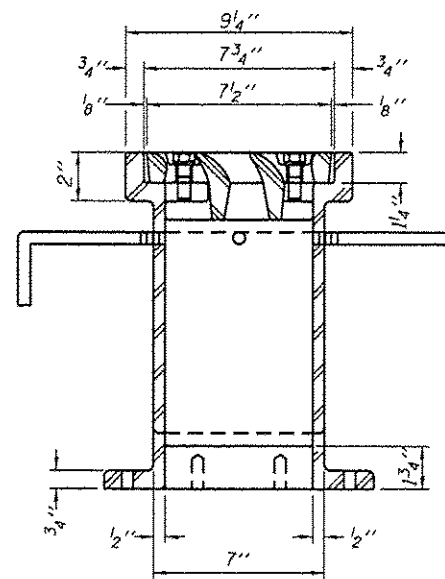


8- 9/16" φ holes on an 9 1/2" φ bolt circle

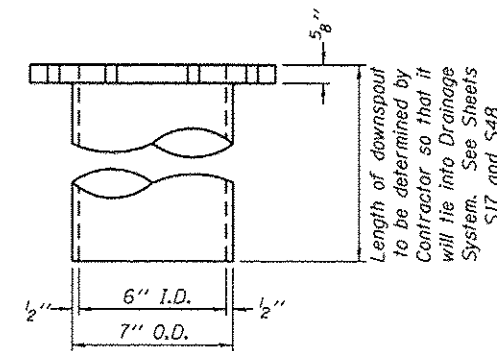


SECTION A-A

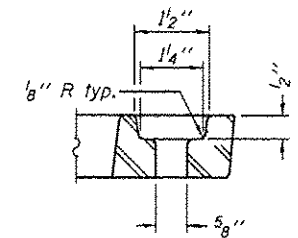
See sheet S15 & S16 of 50 for scupper location relative to parapet.



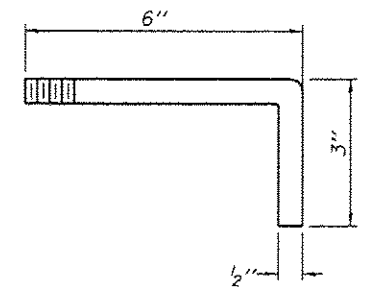
SECTION B-B



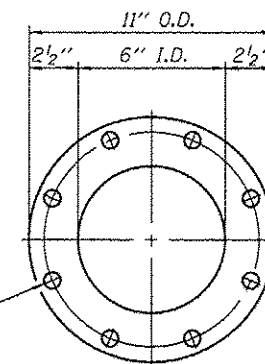
DOWNSPOUT



BOLT HOLE DETAIL



ANCHOR STUD DETAIL



VIEW C-C

BILL OF MATERIAL

ITEM	UNIT	QUANTITY
Drainage Scuppers, DS-12	Each	4

DS-12

7-1-10

GR&E
8501 W. Higgins Road, Suite 280
Chicago, Illinois 60631 (773) 399-0112

USER NAME	DESIGNED	REVISIONS
J.Z.	J.Z.	
J.A.Z.	J.A.Z.	
E.E.J.	E.E.J.	
DATE	5/17/2013	

STATE OF ILLINOIS
DEPARTMENT OF TRANSPORTATION

DRAINAGE SCUPPER, DS-12
STRUCTURE NO. 016-1149

SHEET NO. S25 OF 50 SHEETS

F.A.I. RTE.	SECTION	COUNTY	TOTAL SHEETS	SHEET NO.
94	1920-B	COOK	137	84

CONTRACT NO. 60J15
ILLINOIS FED. AID PROJECT

H:\Jobs\2011\013022\CAD\AS\Structur\at\dgm\016-1149_Final\00\016015-s25-scupper.dgn 5/20/2013 11:24:08 AM