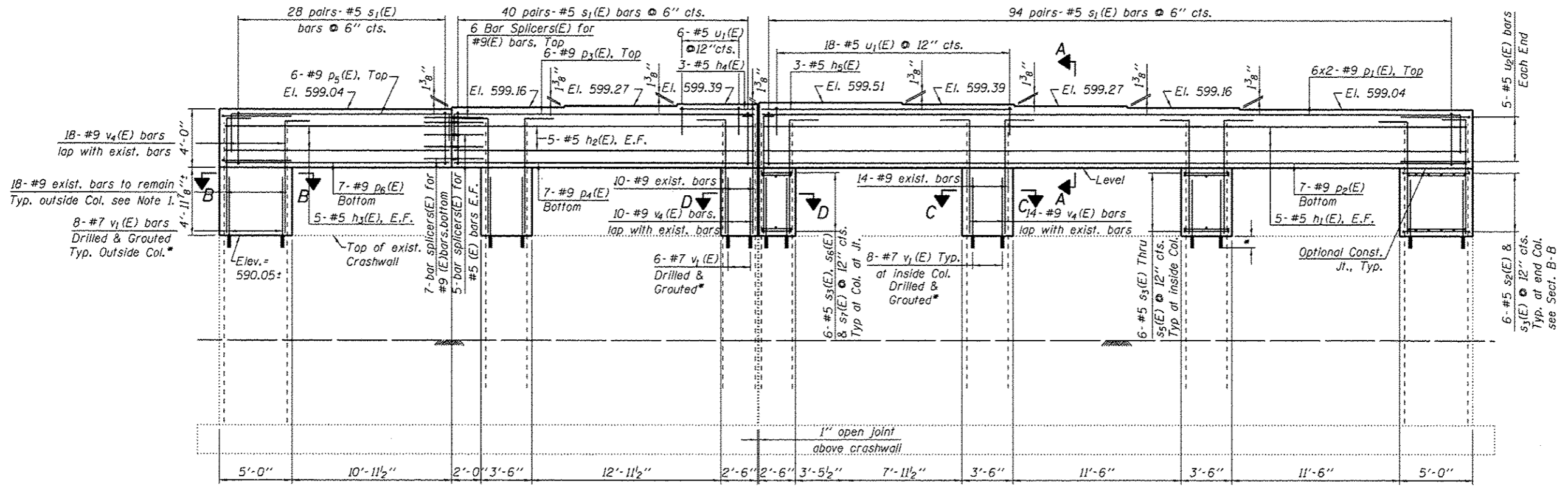


**TOP PLAN**



**PIER 3 ELEVATION**  
(Looking East)

**NOTES**

1. Clean and reuse 8'-7" length of existing #9 vertical column bars at all columns. Cost included with Concrete Removal.
2. \*Epoxy grout v1(E) bars in 13" (min.) drilled holes according to Article 584 of the Standard Specifications.
3. See Sheets S46 and S47 for sections and Bill of Material.
4. Space reinforcement in cap to miss anchor bolts.
5. Pour steps monolithically with cap.

R:\Jobs\2011\013022\CAD\AS\Structure\dgn\016-149-Final\00\060035-643-pier 3.dgn  
 5/20/2013 11:24:16 AM



USER NAME *	DESIGNED - J.Z.	REVISÉD -
PLOT SCALE *	CHECKED - J.A.Z.	REVISÉD -
PLOT DATE *	DRAWN - E.E.J.	REVISÉD -
	DATE - 5/17/2013	REVISÉD -

STATE OF ILLINOIS  
DEPARTMENT OF TRANSPORTATION

PIER 3 PLAN & ELEVATION  
STRUCTURE NO. 016-1149

SHEET NO. S43 OF 50 SHEETS

F.A.I. RTE.	SECTION	COUNTY	TOTAL SHEETS	SHEET NO.
94	1920-B	COOK	137	102
CONTRACT NO. 60J15				

ILLINOIS FED. AID PROJECT