
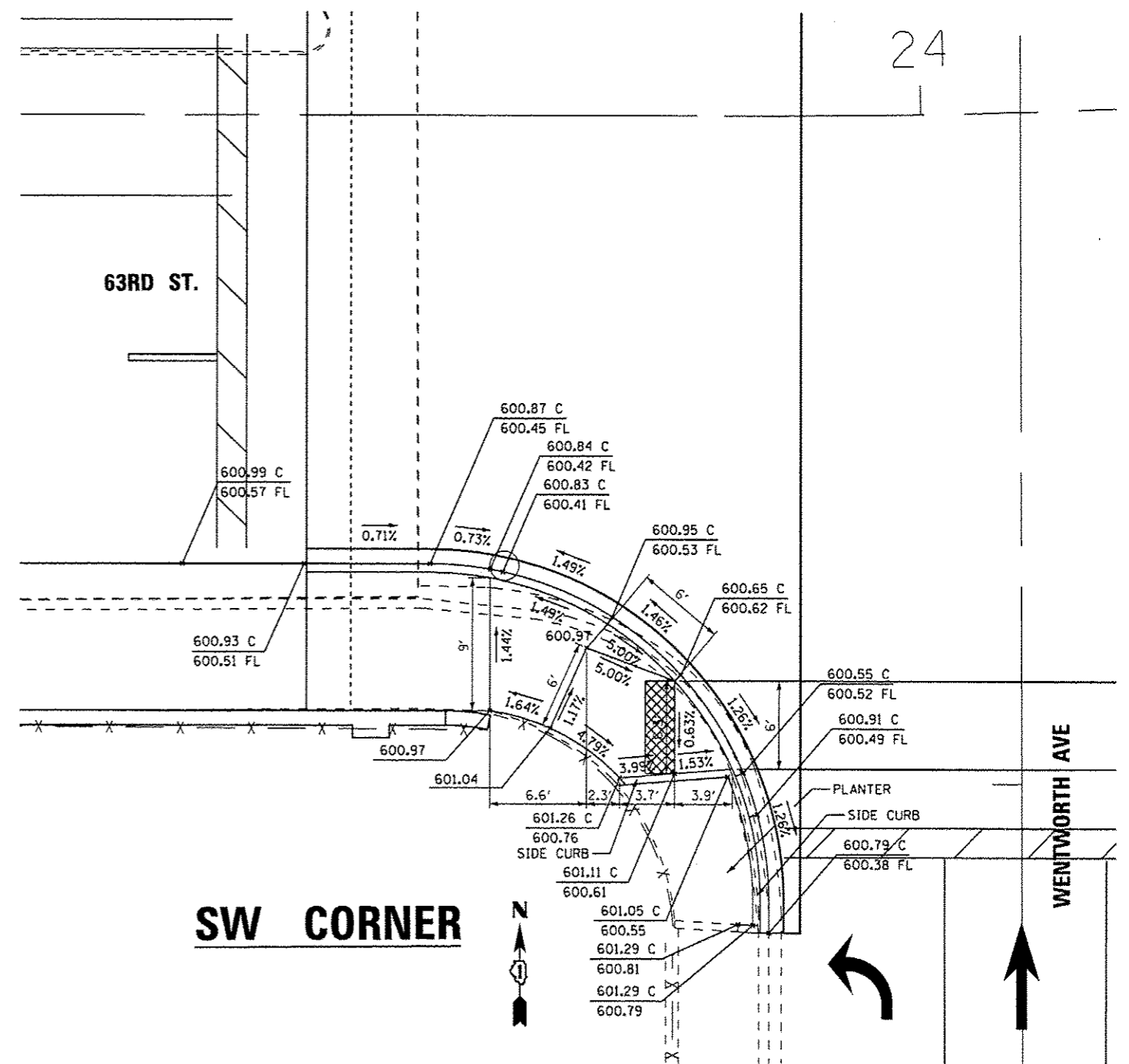
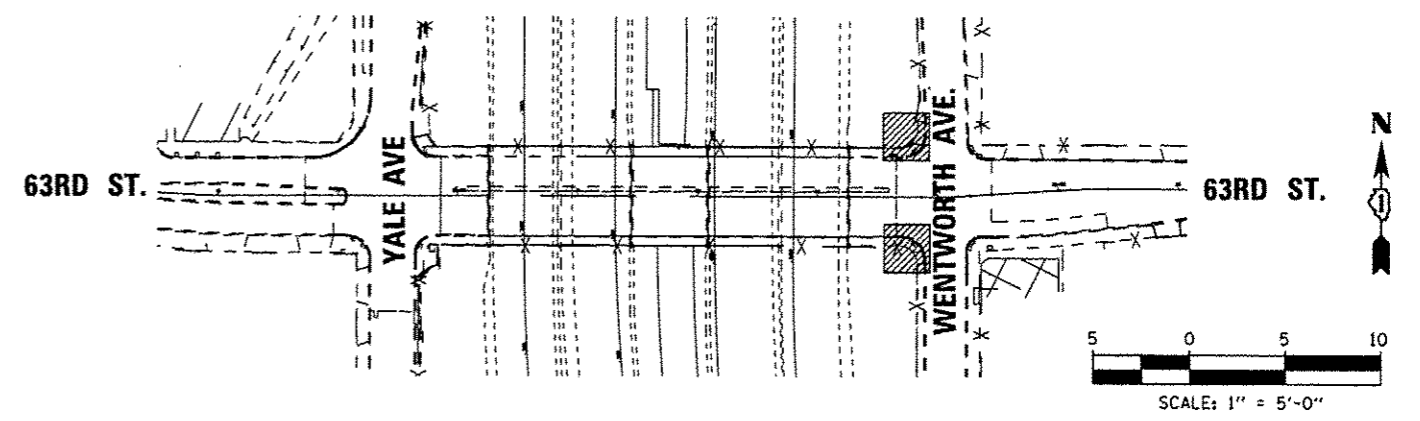
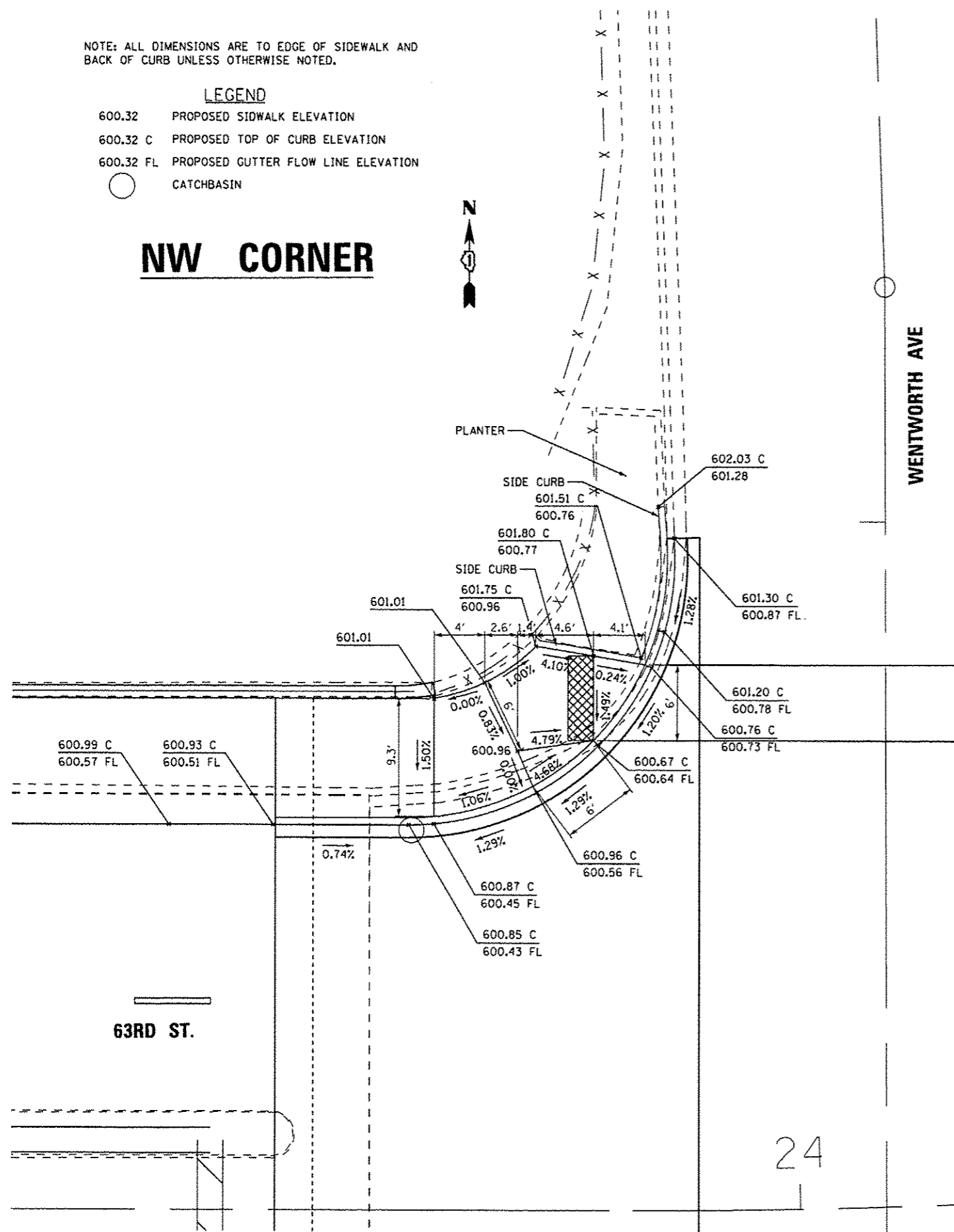


NOTE: ALL DIMENSIONS ARE TO EDGE OF SIDEWALK AND BACK OF CURB UNLESS OTHERWISE NOTED.

LEGEND

- 600.32 PROPOSED SIDEWALK ELEVATION
- 600.32 C PROPOSED TOP OF CURB ELEVATION
- 600.32 FL PROPOSED GUTTER FLOW LINE ELEVATION
-  CATCHBASIN

NW CORNER



FILE NAME *	USER NAME * #USER#	DESIGNED - KMM	REVISED -
K:\Projects\11847\Design\CAD\Sheet Files\3dswent.dgn		DRAWN - LV	REVISED -
PLOT SCALE = #SCALE#		CHECKED - JDH	REVISED -
PLOT DATE = 5/15/2013		DATE - 02-22-2012	REVISED -

STATE OF ILLINOIS
 DEPARTMENT OF TRANSPORTATION

CURB RAMP DETAILS
 63RD ST. AT WENTWORTH AVE

F.A.I. RTE.	SECTION	COUNTY	TOTAL SHEETS	SHEET NO.
94	1920-B	COOK	137	122
CONTRACT NO. 60J15				
ILLINOIS FED. AID PROJECT				

SCALE: 1"=5'
 SHEET NO. OF SHEETS STA. TO STA.