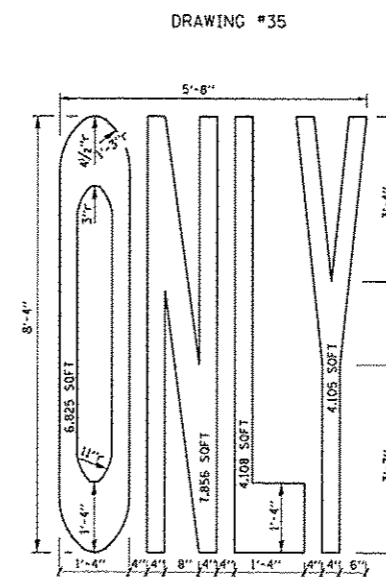
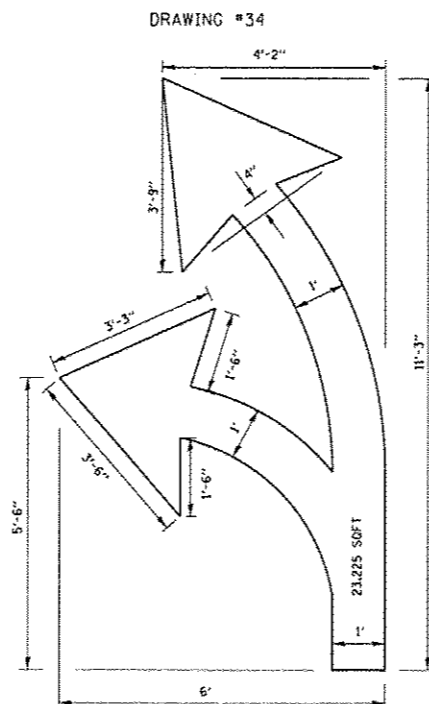
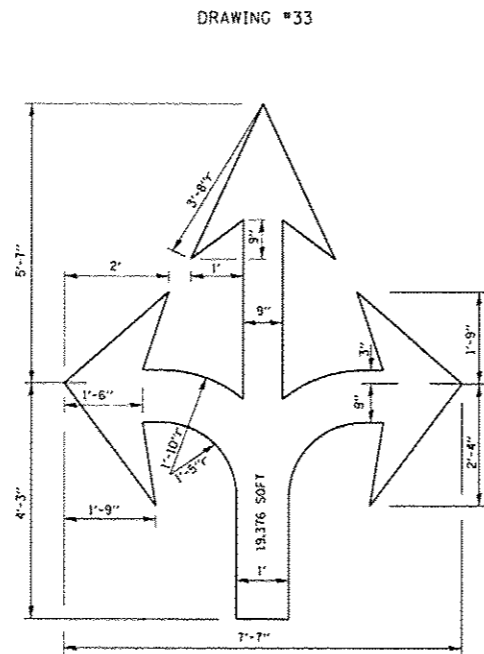
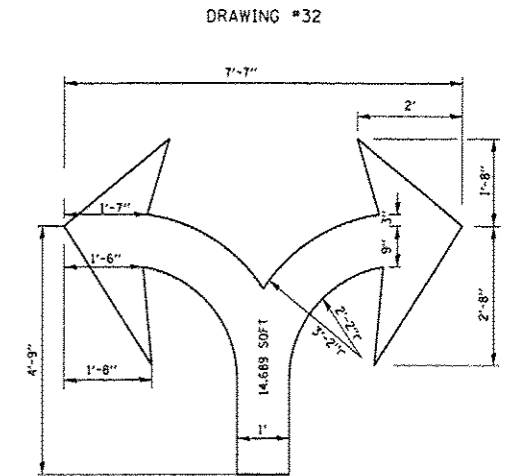
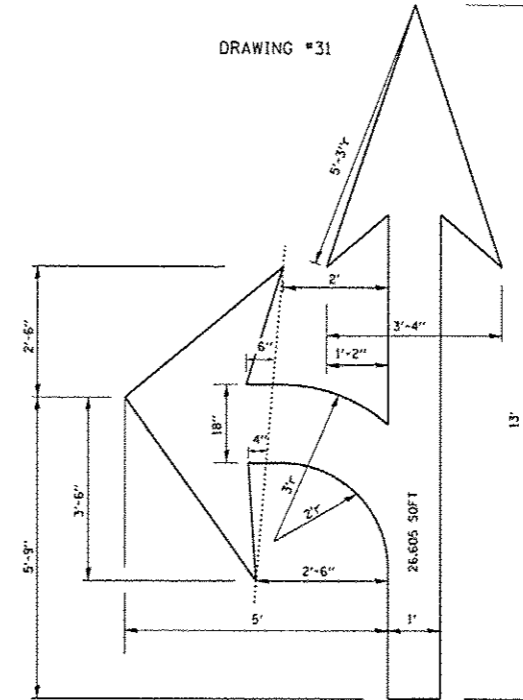
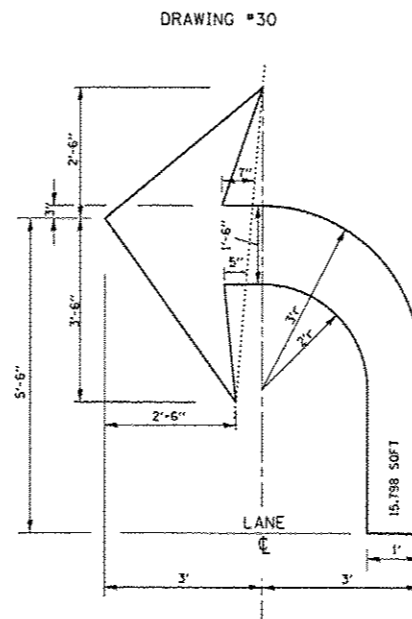
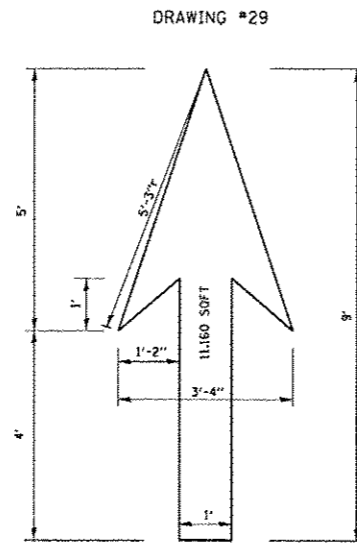


**NOTE:**

- 1.) FOR BIKE LANE SYMBOLS ONLY, USE PRE-FORMED THERMOPLASTIC WITH A MINIMUM THICKNESS OF 90 MILS, MINIMUM SKID RESISTANCE VALUE OF 60 BPN, & A MINIMUM INDEX OF REFRACTION OF 1.50.
- 2.) THE RESIDENT ENGINEER SHALL CONTACT MR. BEN COMBERG AT 312-744-8093 AT LEAST ONE CALENDAR WEEK PRIOR TO INSTALLING BIKE LANE SYMBOLS.

TYPICAL BIKE LANE SYMBOLS  
DRAWING #28



**NOTE:**  
ALL MARKINGS SHALL BE SOLID WHITE UNLESS OTHERWISE NOTED IN THE PLANS

FILE NAME	USER NAME	DESIGNED	REVISED
si\pwwork\pwwork\dwg\128315\td	drivokosgn	-	- T. RAMMACHER 12-07-00
		DRAWN	REVISED
		-	- K. ENG 02-28-12
		CHECKED	REVISED
		-	-
		DATE	REVISED
		-	-

STATE OF ILLINOIS  
DEPARTMENT OF TRANSPORTATION

CITY OF CHICAGO	
TYPICAL PAVEMENT MARKINGS	
SCALE: NONE	SHEET NO. 2 OF 3 SHEETS
STA.	TO STA.

F.A.I. RTE.	SECTION	COUNTY	TOTAL SHEETS	SHEET NO.
94	1920-B	COOK	137	136
TC-24			CONTRACT NO. 60J15	
FED. ROAD DIST. NO. 1 ILLINOIS FED. AID PROJECT				