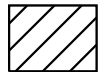
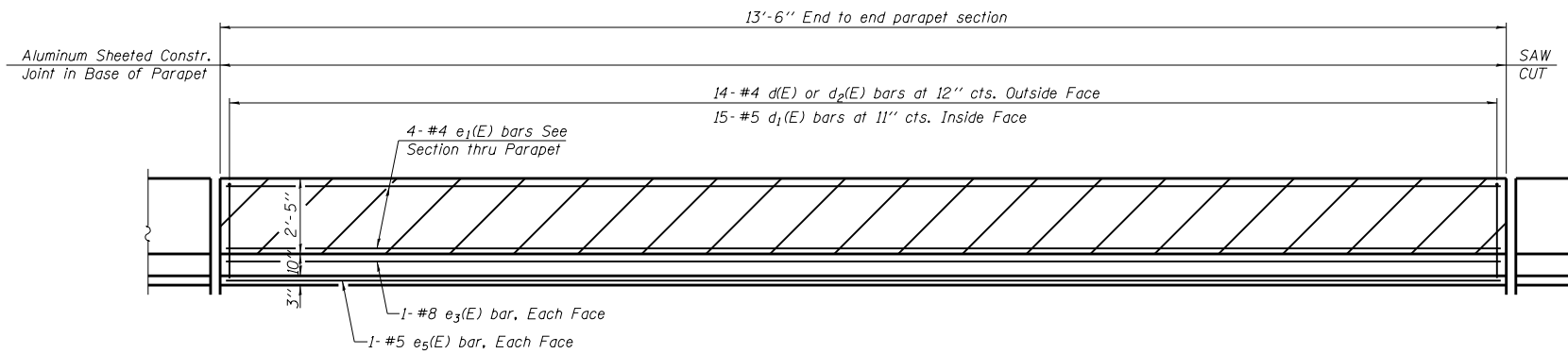


LEGEND



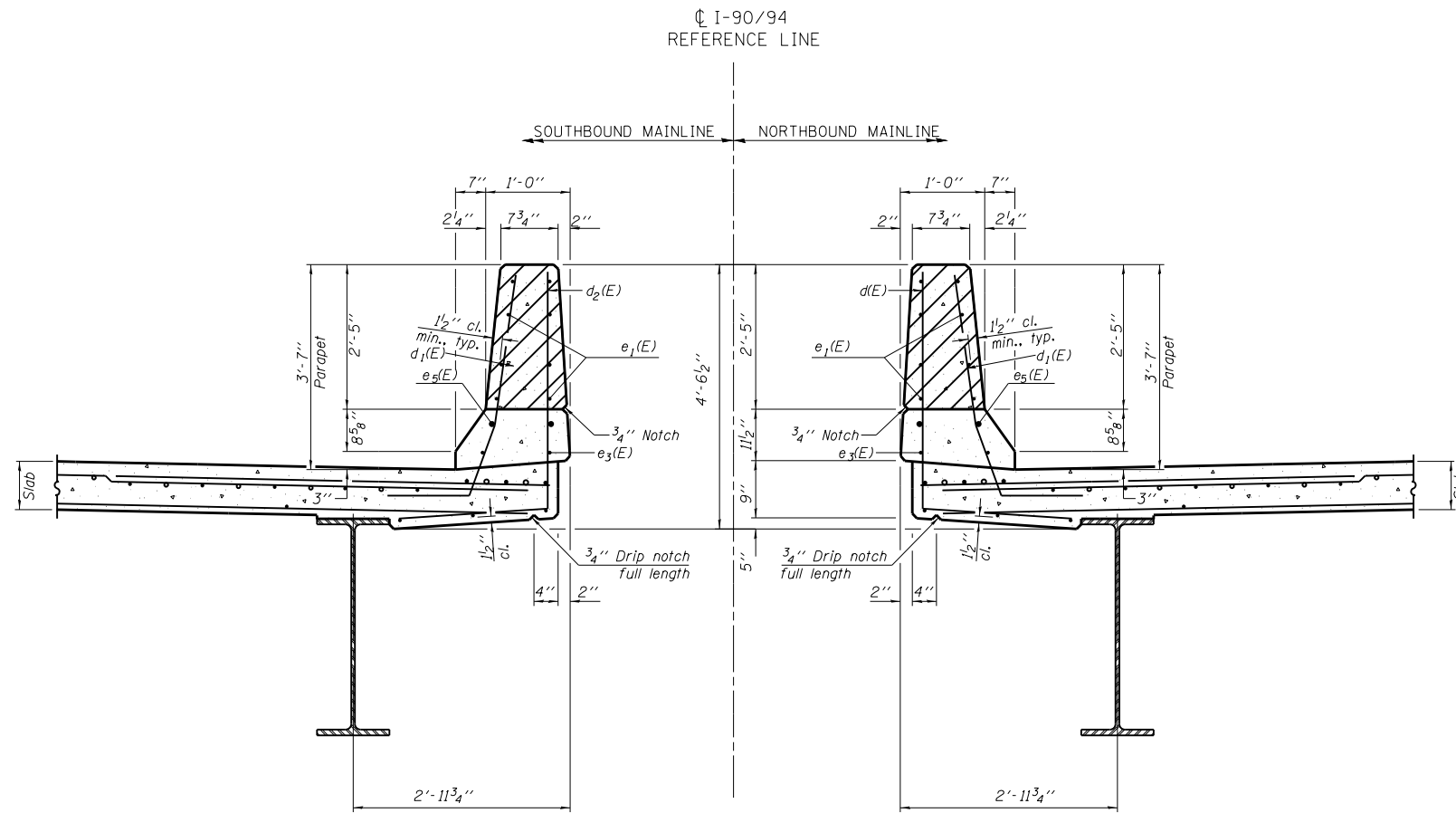
HATCHED AREA INDICATES CONCRETE REMOVAL



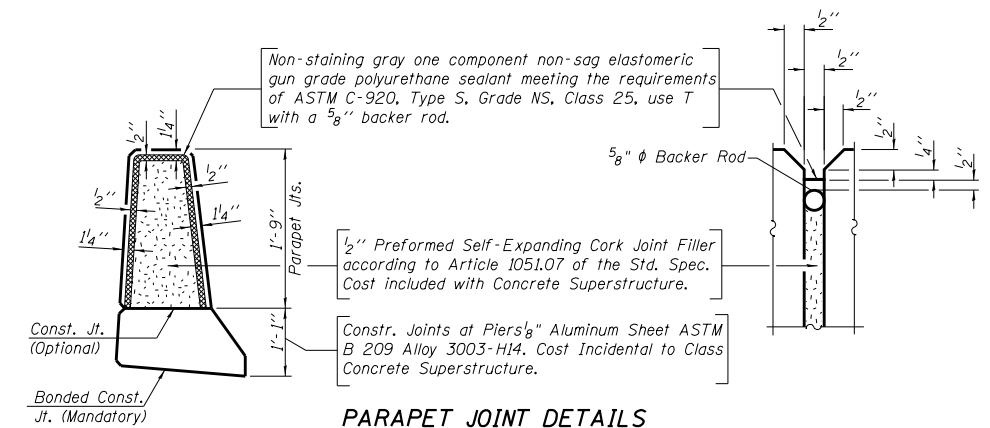
ELEVATION

**SUPERSTRUCTURE
BILL OF MATERIAL**

Bar	No.	Size	Length	Shape
e ₁ (E)	16	#4	13'-4"	
REINFORCEMENT BARS, EPOXY COATED			Pound	143
CONCRETE SUPERSTRUCTURE			Cu. Yds.	3.31
CONCRETE REMOVAL			Cu. Yds.	3.31
SAW CUTS			Foot	37
PROTECTIVE COAT			Sq. Yds.	12.9



EXISTING SECTION THRU PARAPETS



PARAPET JOINT DETAILS

**PARAPET DETAILS
STRUCTURE NO. 016-1110**

NOTE:
All edges shall have 3/4" chamfer.

FILE NAME =	USER NAME = SEYMORECP	DESIGNED -	REVISED -	STATE OF ILLINOIS DEPARTMENT OF TRANSPORTATION	LOCATION 14 (SN 016-1110) I-90/I-94 (DAN RYAN EXPRESSWAY)	F.A. RTE.	SECTION	COUNTY	TOTAL SHEETS	SHEET NO.	
Default	PLOT SCALE = 100.0000' / 1"	DRAWN -	REVISED -			VAR.	2013-0411	VARIOUS	44	31	
	PLOT DATE = 7/11/2013	CHECKED -	REVISED -			CONTRACT NO. 60W86					
		DATE -	REVISED -			ILLINOIS FED. AID PROJECT					