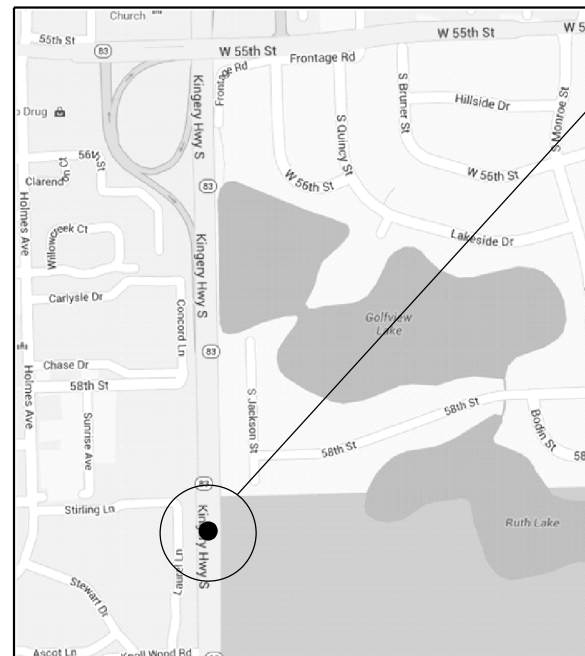


R11E

T38N



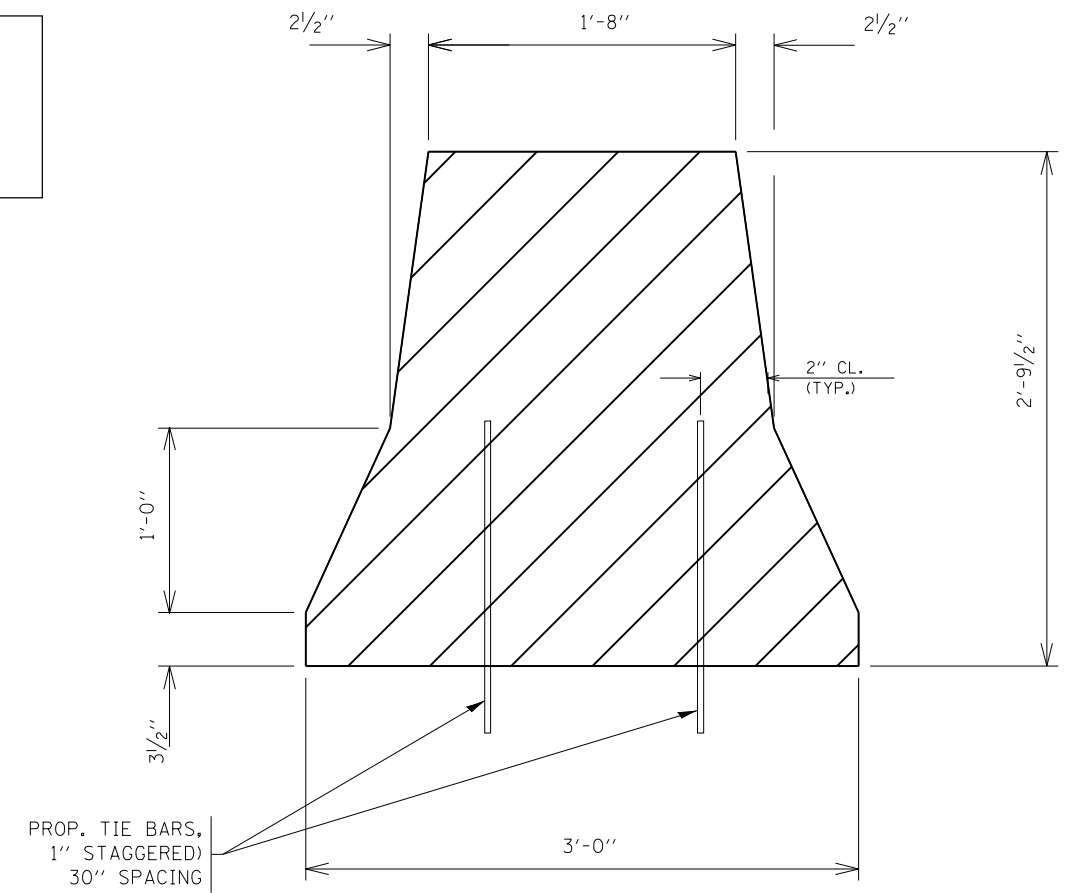
LOCATION 18: IL 83 (KINGERY HIGHWAY), SB

0.56 MILES SOUTH OF 55TH ST. OVERPASS, LEFT SIDE

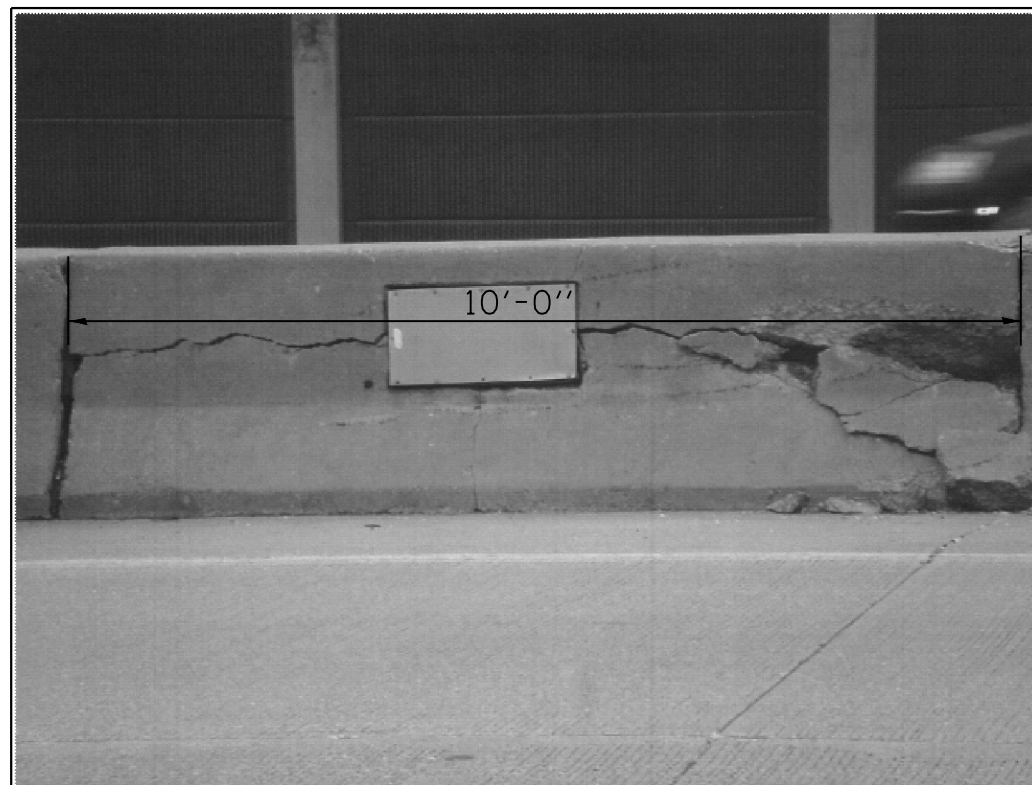
**VILLAGE OF HINSDALE
DOWNER'S GROVE TOWNSHIP
DUPAGE COUNTY**

BILL OF MATERIAL

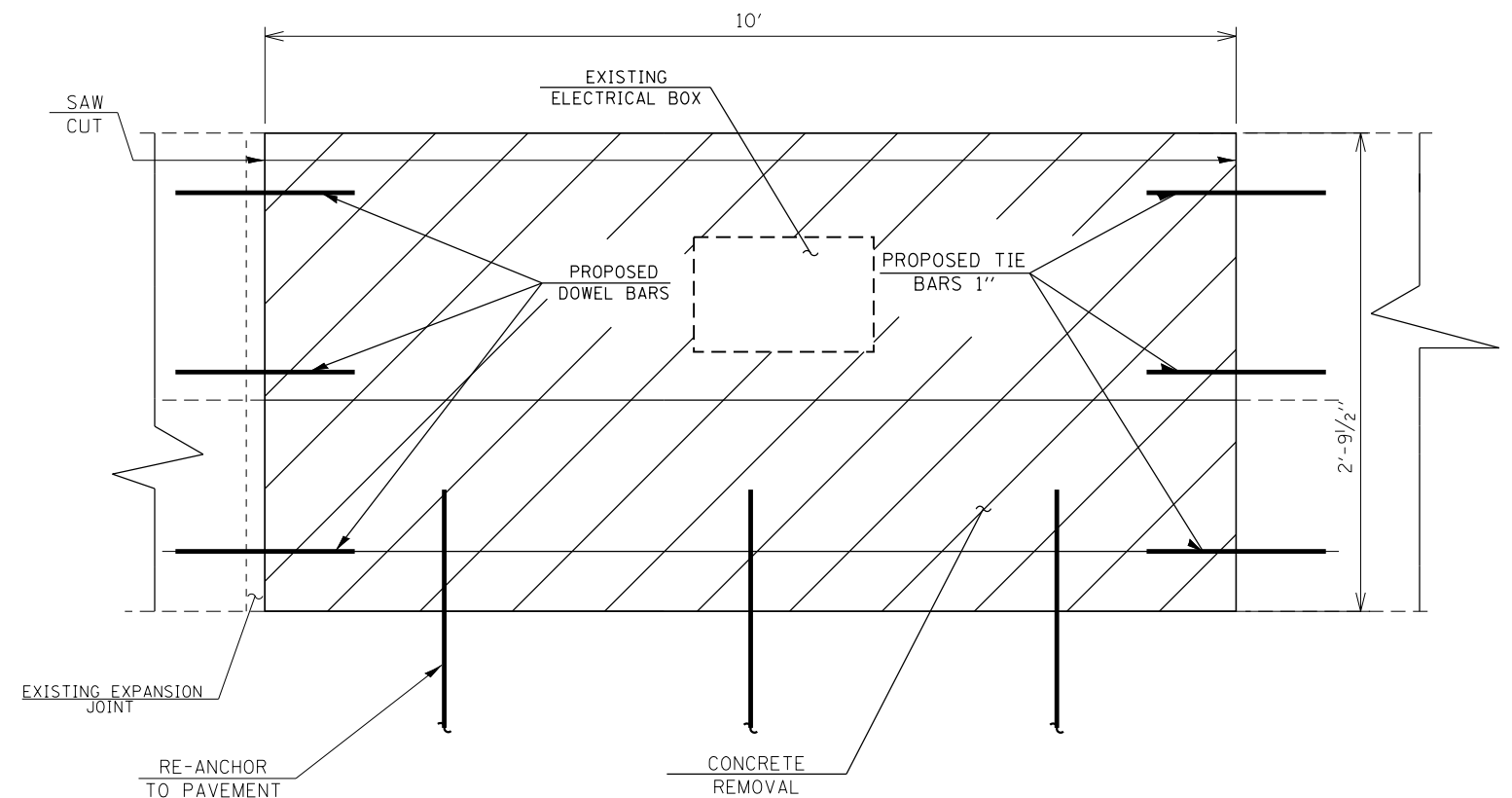
ITEM	UNIT	QUANTITY
CONCRETE REMOVAL	Cu. Yds.	2.3
CONCRETE STRUCTURE	Cu. Yds.	2.3
TIE BARS	Each	7
DOWEL BARS	Each	3
SAW CUTS	Foot	6
PROTECTIVE COAT	Sq. Yds.	8.4



SECTION



FULL DEPTH REPAIR
REPLACE 10' OF BARRIER WALL
FOR MORE DETAILS, SEE SHEET #5



ELEVATION

TRAFFIC DATA:

SPEED LIMIT: 55 MPH
2012 ADT: 58900

FILE NAME =	USER NAME = SEYMORECP	DESIGNED -	REVISED -
et:\pw\work\p\midot\seymorecp\d0348982\0189013-sh-t-plan.dgn		DRAWN -	REVISED -
Default	PLOT SCALE = 100.0000' / in.	CHECKED -	REVISED -
	PLOT DATE = 7/11/2013	DATE -	REVISED -

**STATE OF ILLINOIS
DEPARTMENT OF TRANSPORTATION**

LOCATION 18 IL 83 (KINGERY HIGHWAY)			
SCALE:	SHEET	OF SHEETS	STA. TO STA.

F.A. RTE.	SECTION	COUNTY	TOTAL SHEETS	SHEET NO.
VAR.	2013-0411	VARIOUS	44	35
CONTRACT NO. 60W86			ILLINOIS FED. AID PROJECT	