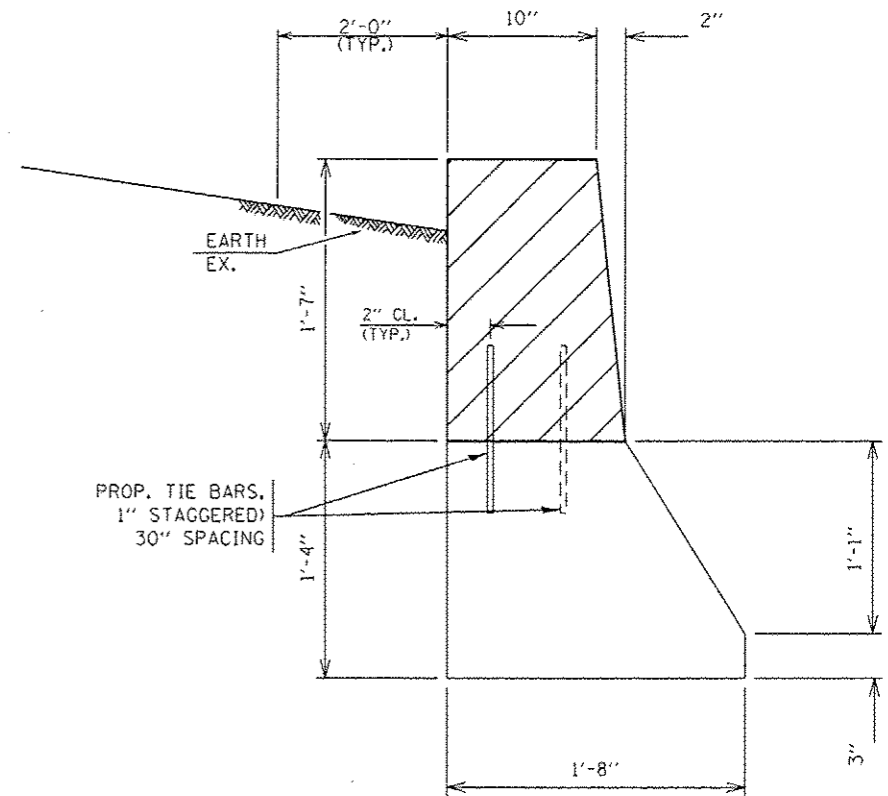


CITY OF CHICAGO
SOUTH CHICAGO TOWNSHIP
COOK COUNTY

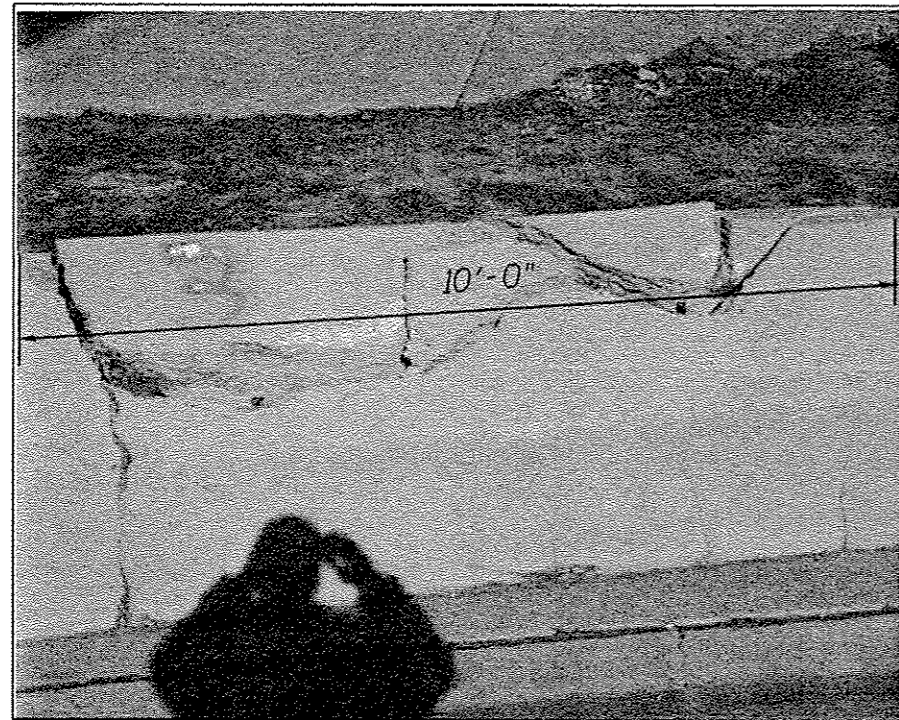
LOCATION 4: I-55 (STEVENSON EXPRESSWAY), SWB
187' EAST OF STATE ST. OVERPASS, RIGHT SIDE

BILL OF MATERIAL

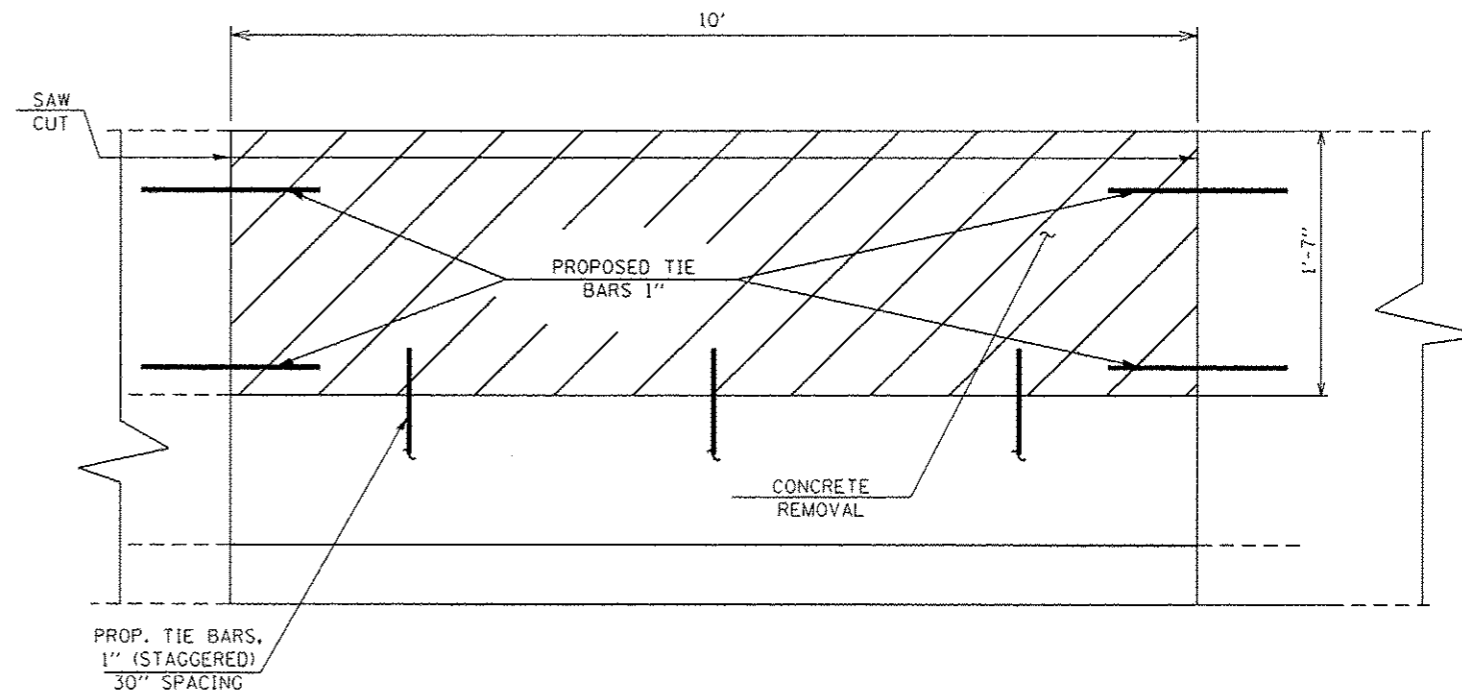
ITEM	UNIT	QUANTITY
CONCRETE REMOVAL	Cu. Yds.	0.6
CONCRETE STRUCTURE	Cu. Yds.	0.6
TIE BARS	Each	8
SAW CUTS	Foot	13.17
EARTH EXCAVATION	Cu. Yds.	2.16
TEMPORARY EROSION CONTROL BLANKET	Sq. Yds.	2.22
TOPSOIL FURNISH AND PLACE, 4"	Sq. Yds.	2.22
SEEDING CLASS 2A	Acre	0.0005
PROTECTIVE COAT	Sq. Yds.	2.7



SECTION



HALF DEPTH REPAIR
REPLACE 10' OF BARRIER WALL
FOR MORE DETAILS, SEE SHEET #6



ELEVATION

TRAFFIC DATA:

SPEED LIMIT: 50 MPH
2012 ADT: 102800

FILE NAME:	USER NAME = SEYMORECP	DESIGNED -	REVISED -	STATE OF ILLINOIS DEPARTMENT OF TRANSPORTATION	LOCATION 4 I-55 (STEVENSON EXPRESSWAY)		F.A. RTE.	SECTION	COUNTY	TOTAL SHEETS	SHEET NO.		
ci:\pwwork\pvidot\seymorecp\08348982\01	9013-shi-plandgn	DRAWN -	REVISED -		SCALE:	SHEET	OF	SHEETS	STA.	TO STA.	VARIOUS	44	15
Default	PLOT SCALE = 1/8" = 1' / in.	CHECKED -	REVISED -				2013-0411		CONTRACT No. 60W86	ILLINOIS FED. AID PROJECT			
	PLOT DATE = 7/23/2013	DATE -	REVISED -										