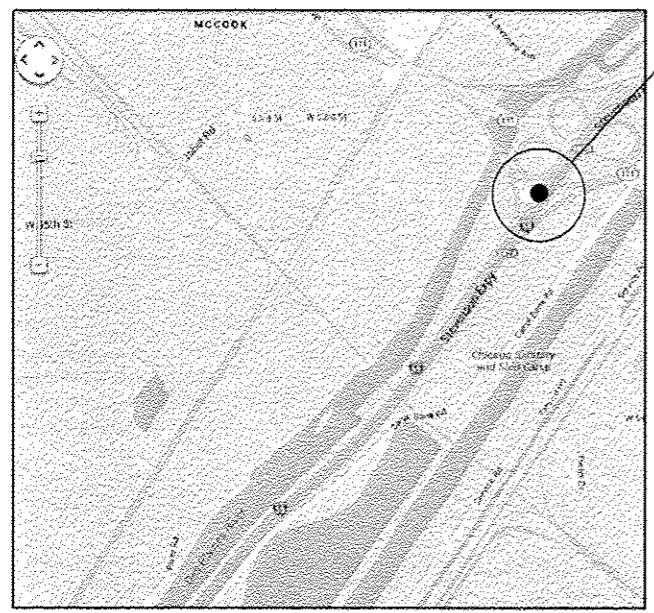


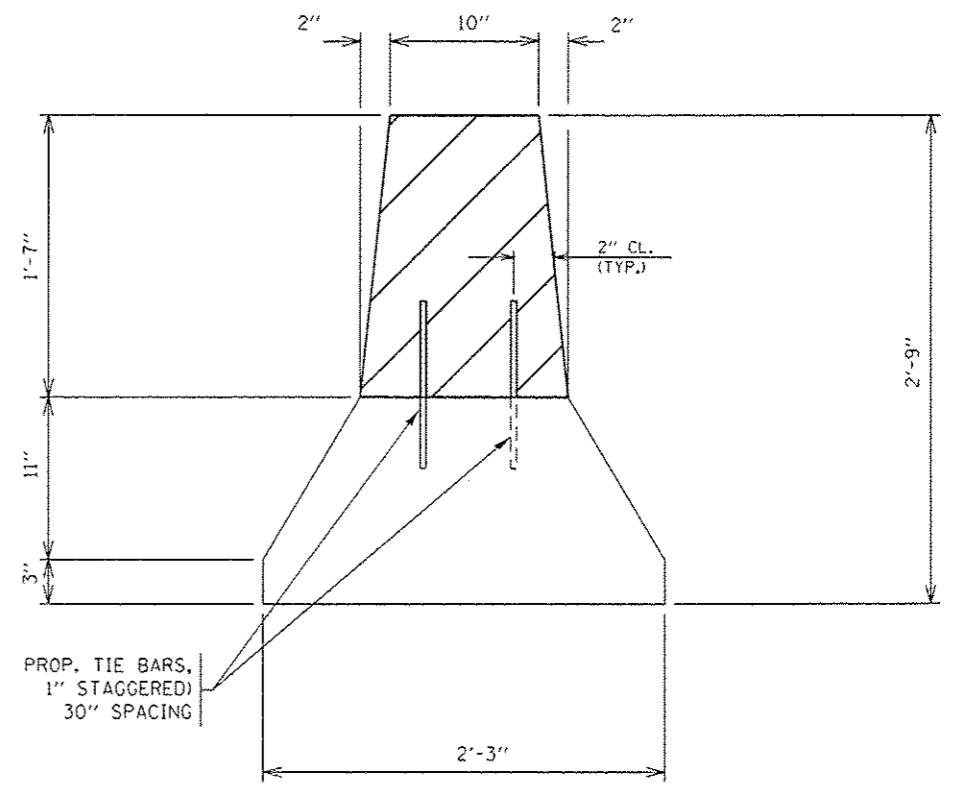
R12E
T38N



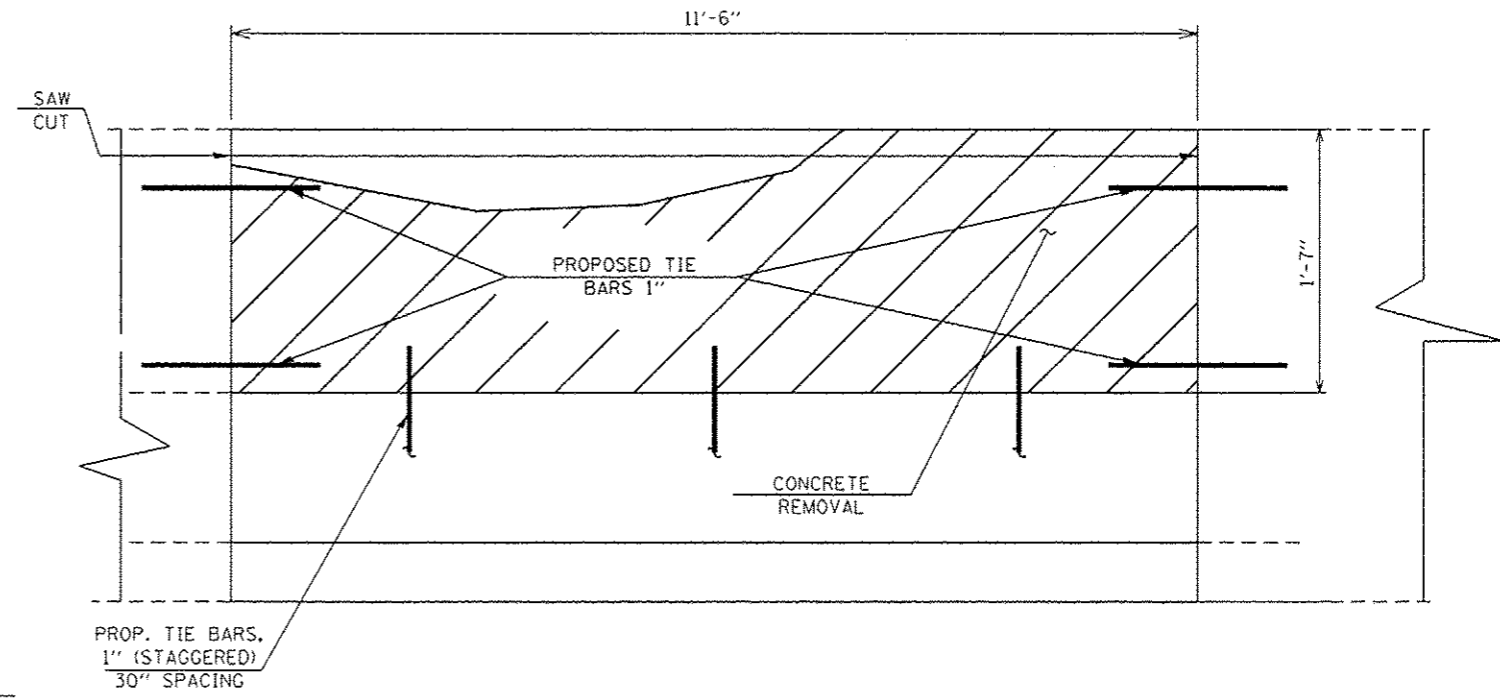
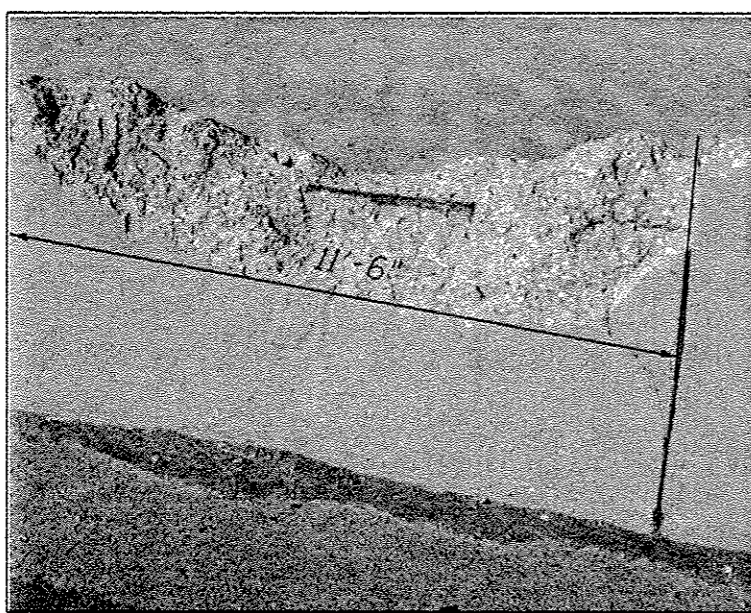
LOCATION 7: I-55 (STEVENSON EXPRESSWAY), WB
642' SWEST OF 1ST AVE. OVERPASS, RIGHT SIDE

BILL OF MATERIAL

ITEM	UNIT	QUANTITY
CONCRETE REMOVAL	Cu. Yds.	0.3
CONCRETE STRUCTURE	Cu. Yds.	0.7
TIE BARS	Each	9
SAW CUTS	Foot	15
PROTECTIVE COAT	Sq. Yds.	5.2



VILLAGE OF MCCOOK
LYONS TOWNSHIP
COOK COUNTY



TRAFFIC DATA:
SPEED LIMIT: 55 MPH
2012 ADT: 130800

HALF DEPTH REPAIR
REPLACE 11 1/2' OF BARRIER WALL
FOR MORE DETAILS, SEE SHEET #6

ELEVATION

FILE NAME =	USER NAME = SEYMORECP	DESIGNED -	REVISED -	STATE OF ILLINOIS DEPARTMENT OF TRANSPORTATION	LOCATION 7 I-55 (STEVENSON EXPRESSWAY)			F.A. RTE.	SECTION	COUNTY	TOTAL SHEETS	SHEET NO.	
cr:\p\work\p\edot\seymorecp\08348902\019013-shc-pln.dgn		DRAWN -	REVISED -		SCALE:	SHEET	OF	SHEETS	STA.	TO STA.	VAR.	44	21
		CHECKED -	REVISED -		ILLINOIS FED. AID PROJECT								
Default		DATE -	REVISED -										