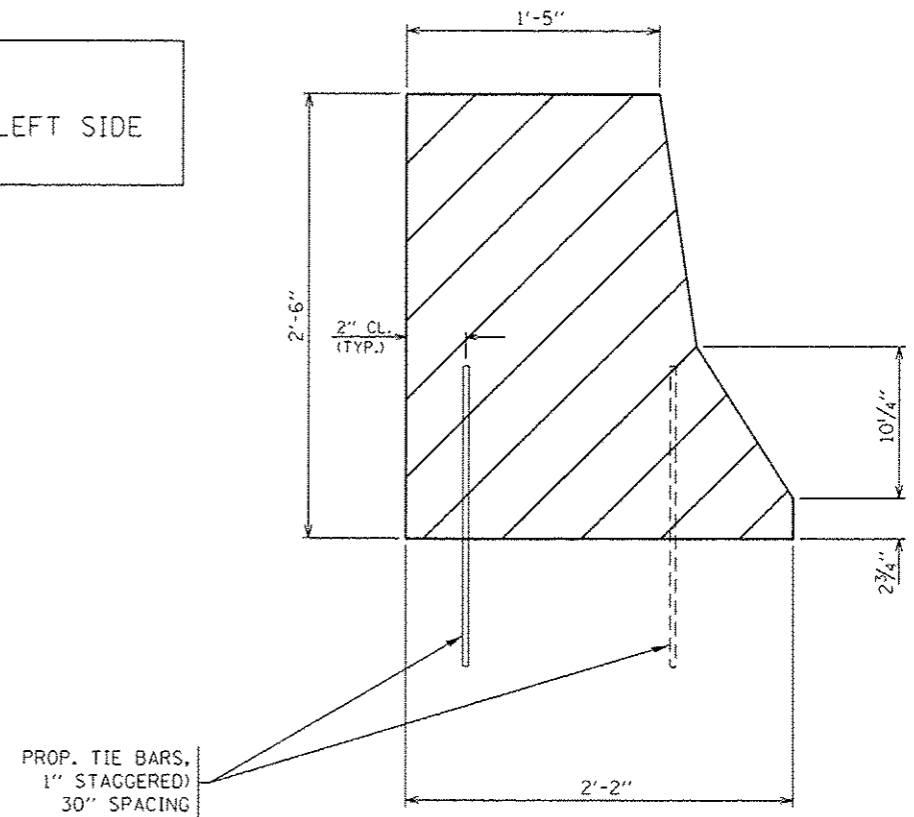


LOCATION 19: I-290 (EISENHOWER EXPRESSWAY), EB
 0.4 MILES WEST OF CICERO AVENUE OVERPASS, LEFT SIDE

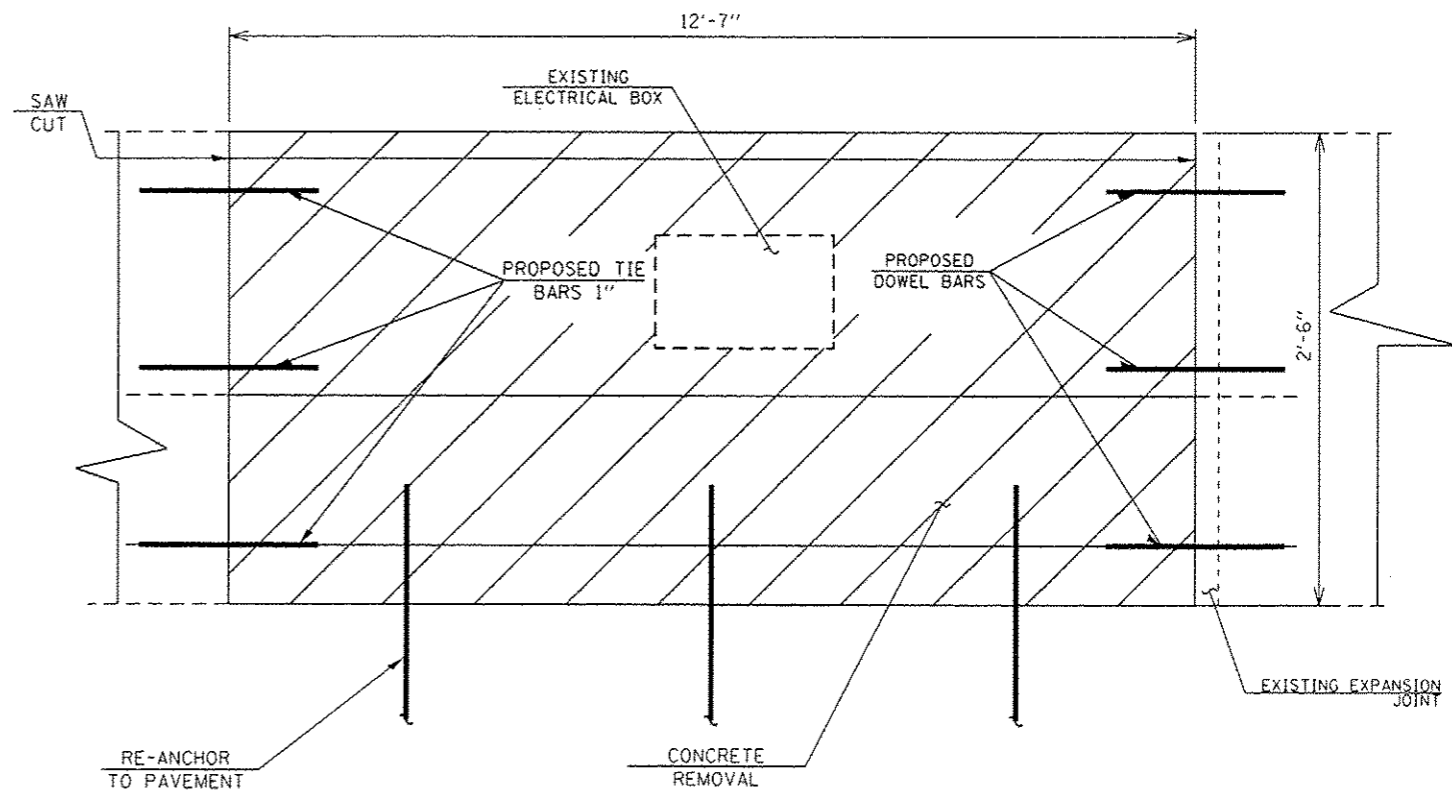
CITY OF CHICAGO
WEST CHICAGO TOWNSHIP
COOK COUNTY

BILL OF MATERIAL

| ITEM | UNIT | QUANTITY |
|--------------------|----------|----------|
| CONCRETE REMOVAL | Cu. Yds. | 2.0 |
| CONCRETE STRUCTURE | Cu. Yds. | 2.0 |
| TIE BARS | Each | 9 |
| DOWEL BARS | Each | 3 |
| SAW CUTS | Foot | 5 |
| PROTECTIVE COAT | Sq. Yds. | 5.7 |



FULL DEPTH REPAIR
 REPLACE 12'-7" OF BARRIER WALL
 FOR MORE DETAILS, SEE SHEET #5



TRAFFIC DATA:

SPEED LIMIT: 55 MPH
 2012 ADT: 196700

ELEVATION

| | | | |
|--|-----------------------------|------------|-----------|
| FILE NAME: | USER NAME = SEYMORECP | DESIGNED - | REVISED - |
| c:\p\work\avidot\seymorecp\08240982101 | 0813-abt-plandgn | DRAWN - | REVISED - |
| Default | PLOT SCALE = 100.0000' / 1" | CHECKED - | REVISED - |
| | PLOT DATE = 7/19/2012 | DATE - | REVISED - |

STATE OF ILLINOIS
DEPARTMENT OF TRANSPORTATION

| | | | | | | |
|-------------------------------|--|-----------------|-----------|--------------|--------------------|-----------|
| LOCATION 19 | | F.A. RTE. | SECTION | COUNTY | TOTAL SHEETS | SHEET NO. |
| I-290 (EISENHOWER EXPRESSWAY) | | VAR. | 2013-0411 | VARIOUS | 44 | 35A |
| SCALE: 1" = 10' | | SHEET OF SHEETS | | STA. TO STA. | CONTRACT NO. 60W86 | |
| ILLINOIS FED. AID PROJECT | | | | | | |