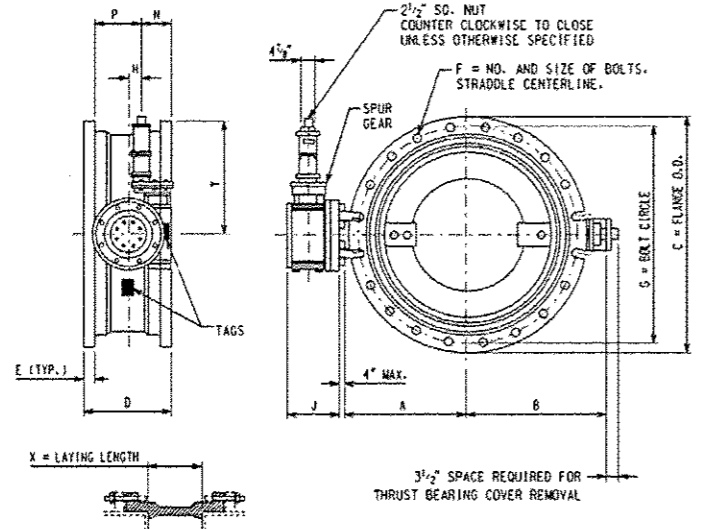


FILE PATH : c:\us8839-p\untl\electronic\lib\shp\m2\m2\Documents\01 Amer\cast\operator\action\6229928 Circle\Phase II\088 CAD\086_Roadway\Share\6229927_Contr\set\016827-ht-wm-01.dgn

VALVE SIZE	A	B	C	D	E	F	G	X
24-INCH	18 1/2"	18 1/2"	31 1/2"	13 1/2"	15 1/2"	16 3/4"	30"	6 3/4"
30-INCH	21 1/2"	24 1/2"	35"	16"	17 1/2"	20 1"	36 1/2"	10"
36-INCH	25 1/2"	28 1/2"	45 1/2"	22"	2"	24 1"	43 1/2"	14"
42-INCH	29 1/2"	32 1/2"	53"	22"	2"	28 1 1/2"	50 1/2"	14"
48-INCH	34 1/2"	37 1/2"	59 1/2"	24"	2"	32 1 1/2"	57 1/2"	16"

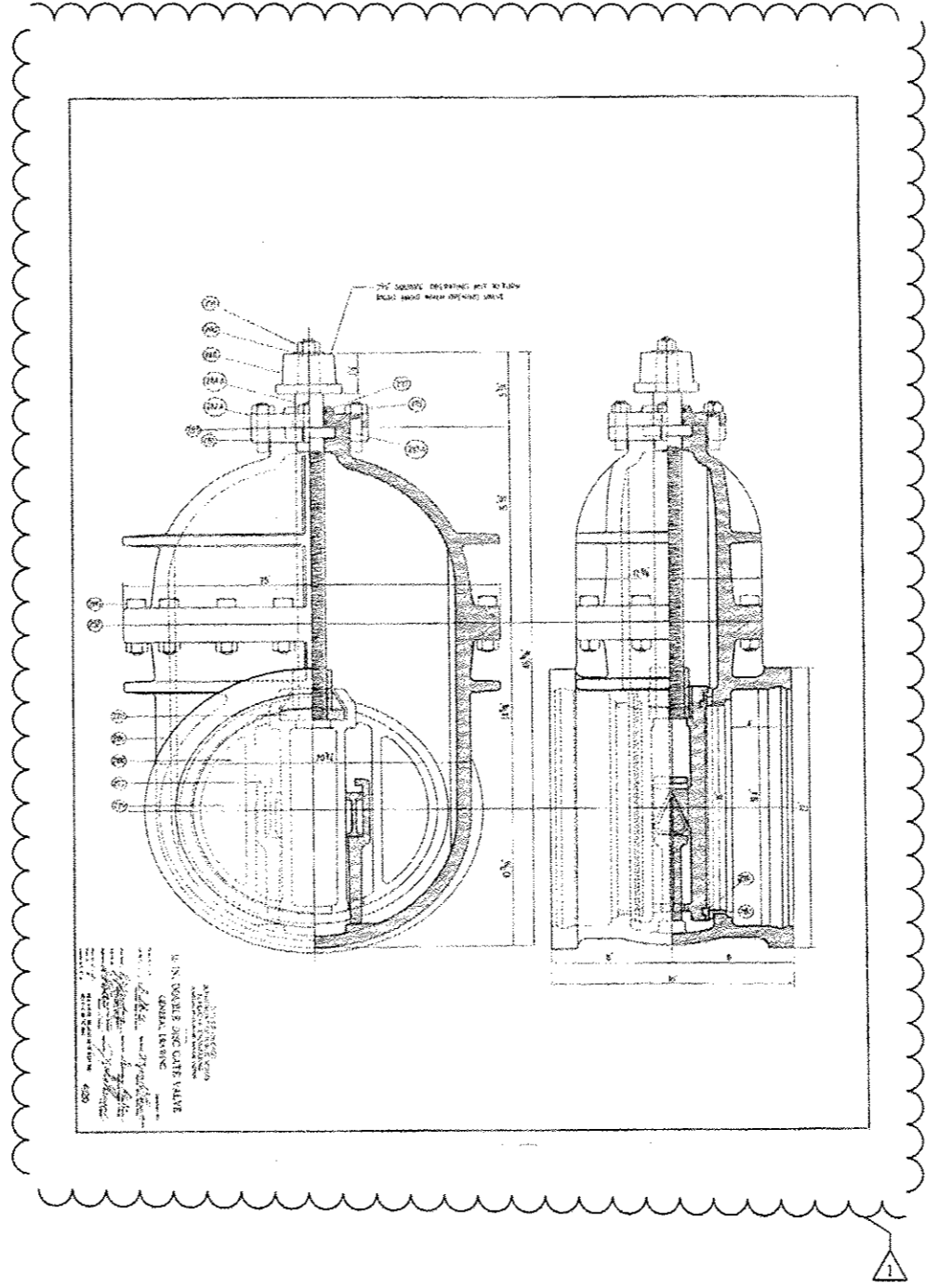
OPERATOR SIZE	J	L	M	N	P	O	Y	VALVE	NO. OF BOLTS
T-425	7 1/2"	6"	7 1/2"	6 1/2"	9 1/2"	6 1/2"	24"	36"	75
T-425	8"	6 1/2"	7 1/2"	6 1/2"	9 1/2"	6 1/2"	24"	48"	127



INSTALLATION DIAGRAM

- NOTE:**
- BUTTERFLY VALVES SHALL BE MANUFACTURED IN ACCORDANCE WITH ANWA SPECIFICATION C-504-B7, CLASS 150B, SHORT BODY VALVE WITH MECHANICAL JOINT ACCESSORIES.
 - OPERATORS ARE EQUIPPED WITH OPEN/CLOSE INDICATING ARROW. ASSEMBLY OPEN CLOCKWISE.

REV107.DT **BUTTERFLY VALVE** FM-13



2 IN. DOUBLE END DATE VALVE
 GENERAL INQUIRY
 2013-05-11
 10:00 AM
 10/11/13



DIBK27-ht-wm-01.dgn
 USER NAME : CooperM2
 PLOT SCALE : 48.0000 / in.
 PLOT DATE : 9/9/2013

DESIGNED - MSC
 DRAWN - MSC
 CHECKED - RBB
 DATE - 8/21/13
 REVISED - 9/9/2013

**STATE OF ILLINOIS
DEPARTMENT OF TRANSPORTATION**

WATER MAIN DETAILS

SCALE: NONE SHEET 1 OF 1 SHEETS STA. TO STA.

F.A.I. RTE.	SECTION	COUNTY	TOTAL SHEETS	SHEET NO.
90/94/290	2013-0511	COOK	5	5
CONTRACT NO. 60X27				
ILLINOIS FED. AID PROJECT				