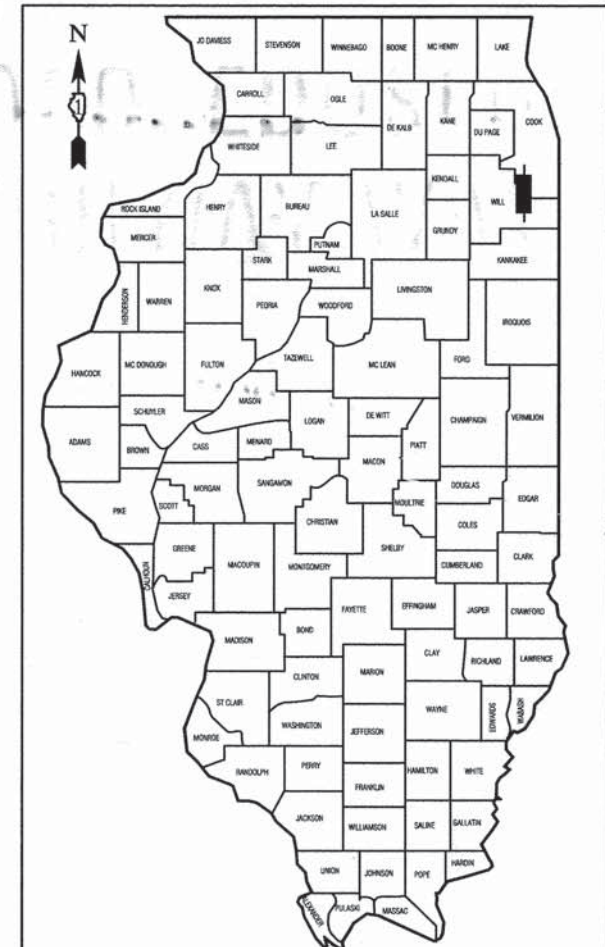


STATE OF ILLINOIS  
DEPARTMENT OF TRANSPORTATION  
DIVISION OF HIGHWAYS  
**PLANS FOR PROPOSED  
FEDERAL AID HIGHWAY**

F. A. U. RITE	SECTION	COUNTY	TOTAL SHEETS	SHEET NO.
2755	13-00116-00-RS	WILL.	15	1
STA. 2755		TO STA. 3754		
FED. ROAD DIST. NO. 1	ILLINOIS	FED. AID PROJECT	M-4003 (199)	

CONTRACT #63852



LOCATION OF SECTION INDICATED THIS: - [black rectangle] -

STATE OF ILLINOIS DEPARTMENT OF TRANSPORTATION  
DIVISION OF HIGHWAYS

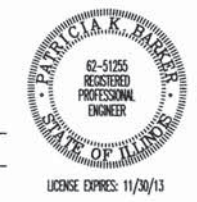
Approved: [Signature] 6-27-2013  
President, Village of TINLEY PARK,

Passed: July 22, 2013  
[Signature] C. J. HOLT  
District # Engineer of Local Roads & Streets

Released for Bid Based on Limited Review: July 29, 2013  
[Signature]  
Deputy Director of Highways, Region 1 Engineer

PRINTED BY THE AUTHORITY OF THE STATE OF ILLINOIS

PREPARED BY OR UNDER THE DIRECT SUPERVISION OF:  
[Signature]  
6-27-2013



FAU 2755 (80TH AVENUE)  
FAU 3754 (191ST STREET) TO SOUTH VILLAGE LIMITS  
ROADWAY RESURFACING  
PROJECT NO.: M-4003 (199)  
SECTION NO.: 13-00116-00-RS  
VILLAGE of TINLEY PARK,  
WILL COUNTY  
JOB NO.: C-91-335-13



FRANKFORT TOWNSHIP

LOCATION MAP

GROSS LENGTH=4,875 FEET=0.92 MILES  
NET LENGTH=4,875 FEET=0.92 MILES

BEGINNING OF IMPROVEMENTS  
80TH AVE STA 46+06.96

END OF IMPROVEMENTS  
80TH AVE STA 94+81.47

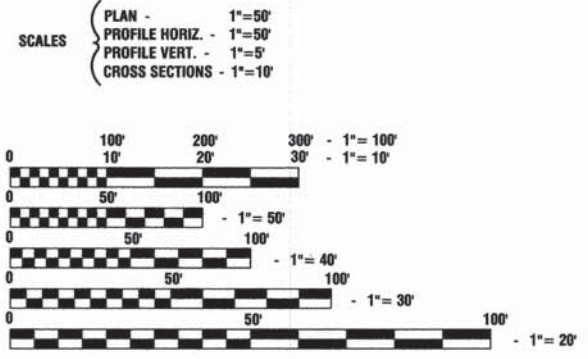
**INDEX OF SHEETS**

1. COVER SHEET, INDEX OF SHEETS & STATE STANDARDS
2. SUMMARY OF QUANTITIES & GENERAL NOTES
3. TYPICAL SECTIONS
- 4.-6. PAVEMENT PLAN
- 7.-9. PAVEMENT MARKING PLAN
- 10.-15. IDOT DISTRICT 1 STANDARD DETAILS

**HIGHWAY STANDARDS**

- 000001-06 STANDARD SYMBOLS, ABBREVIATIONS AND PATTERNS
- 424001-07 PERPENDICULAR CURB RAMPS
- 442201-03 CLASS C AND D PATCHES
- 606001-05 CONCRETE CURB TYPE B AND COMBINATION CONCRETE CURB AND GUTTER
- 701006-04 OFF ROAD OPERATIONS, 2L,2W, 15' TO 24" FROM PAVEMENT EDGE
- 701301-04 LANE CLOSURE, 2L,2W SHORT TIME OPERATIONS
- 701311-03 LANE CLOSURE, 2L,2W MOVING OPERATIONS - DAY ONLY
- 701501-06 URBAN LANE CLOSURE, 2L,2W, MOVING OPERATIONS - DAY ONLY
- 701502-05 URBAN LANE CLOSURE, 2L,2W, WITH BIDIRECTIONAL LEFT TURN LANE
- 701801-05 SIDEWALK, CORNER OR CROSSWALK CLOSURE
- 701901-02 TRAFFIC CONTROL DEVICES

80TH AVENUE	
2013 ADT -	10,700
2040 ADT -	11,000
POSTED SPEED LIMIT -	35 mph
DESIGN PERIOD -	20 YEARS
DESIGN SPEED LIMIT -	40 mph
STREET CLASSIFICATION -	MINOR COLLECTOR



FULL SIZE PLANS HAVE BEEN PREPARED USING STANDARD ENGINEERING SCALES, REDUCED SIZED PLANS WILL NOT CONFORM TO STANDARD SCALES, IN MAKING MEASUREMENTS ON REDUCED PLANS, THE ABOVE SCALES MAY BE USED.

J. U. L. I. E.  
JOINT UTILITY LOCATION INFORMATION FOR EXCAVATION  
1-800-892-0123 or 811

CONTRACT NO. 63852

PROGRAM AND OFFICE ENGINEER: CHARLES F. RIDDLE, P.E., (847)705-4406, SCHAUMBURG, IL  
CONSULTANTS: ROBINSON ENGINEERING, LTD. 708-331-6700

SUMMARY OF QUANTITIES					CONSTRUCTION TYPE CODE
S.I.	CODE NO.	PAY ITEM	UNIT	TOTAL QUANTITY	0005
	21101615	TOPSOIL FURNISH AND PLACE, 4"	SQ YD	141	141
	40600100	BITUMINOUS MATERIALS (PRIME COAT)	GALLON	1618	1618
	40600300	AGGREGATE (PRIME COAT)	TON	54	54
	40600400	MIXTURE OF CRACKS, JOINTS, AND FLANGWAYS	TON	10	10
	40600982	HOT-MIX ASPHALT SURFACE REMOVAL - BUTT JOINT	SQ YD	369	369
	40603340	HOT-MIX ASPHALT SURFACE COURSE, MIX "D", N70	TON	1812	1812
	42400200	PORTLAND CEMENT CONCRETE SIDEWALK 5 INCH	SQ FT	1094	1094
	42400800	DETECTABLE WARNINGS	SQ FT	215	215
	44000600	SIDEWALK REMOVAL	SQ FT	1094	1094
	67100100	MOBILIZATION	L SUM	1	1
	70102620	TRAFFIC CONTROL AND PROTECTION, STANDARD 701501	L SUM	1	1
	70102622	TRAFFIC CONTROL AND PROTECTION, STANDARD 701502	L SUM	1	1
	70102640	TRAFFIC CONTROL AND PROTECTION, STANDARD 701801	L SUM	1	1
	70300100	SHORT TERM PAVEMENT MARKING	FOOT	10300	10300
	70301000	WORK ZONE PAVEMENT MARKING REMOVAL	SQ FT	3433	3433
	72000100	SIGN PANEL - TYPE 1	SQ FT	532	532
	72900200	METAL POST - TYPE B	FOOT	419	419
*	78000100	THERMOPLASTIC PAVEMENT MARKING - LETTERS AND SYMBOLS	SQ FT	618	618
*	78000200	THERMOPLASTIC PAVEMENT MARKING - LINE 4"	FOOT	15260	15260
*	78000400	THERMOPLASTIC PAVEMENT MARKING - LINE 6"	FOOT	1469	1469
*	78000600	THERMOPLASTIC PAVEMENT MARKING - LINE 12"	FOOT	900	900
	LR400510	REJUVENATING AGENT	GALLON	3236	3236

\* - INDICATES SPECIALTY ITEMS

SUMMARY OF QUANTITIES					CONSTRUCTION TYPE CODE
S.I.	CODE NO.	PAY ITEM	UNIT	TOTAL QUANTITY	0005
	LR400520	HOT IN-PLACE RECYCLING - SURFACE RECYCLING	SQ YD	21566	21566
	X4400196	HOT-MIX ASPHALT SURFACE REMOVAL, SPECIAL	SQ YD	6790	6790
	X6030310	FRAMES AND LIDS TO BE ADJUSTED (SPECIAL)	EACH	16	16
	XX006343	SEEDING (COMPLETE)	SQ YD	141	141
	Z0004514	HOT-MIX ASPHALT DRIVEWAY PAVEMENT, 4"	SQ YD	58	58
	Z0004562	COMBINATION CONCRETE CURB AND GUTTER REMOVAL AND REPLACEMENT	FOOT	347	347
	Z0018400	DRAINAGE STRUCTURES TO BE ADJUSTED	EACH	2	2
	Z0030850	TEMPORARY INFORMATION SIGNING	SQ FT	100	100

\* - INDICATES SPECIALTY ITEMS

#### GENERAL NOTES

- BEFORE STARTING ANY EXCAVATION THE CONTRACTOR SHALL CALL "J.U.L.I.E." AT (800) 892-0123 AND (312) 744-7000 FOR FIELD LOCATIONS OF BURIED ELECTRIC, TELEPHONE AND GAS UTILITIES. (48 HOUR NOTIFICATION REQUIRED)
- UTILITIES INDICATED ON THE PLANS ARE PROVIDED FOR THE CONTRACTORS USE AND ARE BASED UPON INFORMATION AVAILABLE AT THE TIME OF THE ADVERTISEMENT FOR BIDS. THE OWNER AND ENGINEER DO NOT GUARANTEE THE ACCURACY OF UTILITY INFORMATION.
- IT SHALL BE THE CONTRACTOR'S RESPONSIBILITY TO VERIFY ALL DIMENSIONS AND CONDITIONS EXISTING IN THE FIELD PRIOR TO CONSTRUCTION AND ORDERING OF MATERIALS.
- THE THICKNESS OF HMA MIXTURE STATED IN THE SPECIFICATIONS IS THE NOMINAL THICKNESS. DEVIATIONS FROM THE NOMINAL THICKNESS WILL BE PERMITTED WHEN SUCH DEVIATIONS OCCUR DUE TO IRREGULARITIES IN THE EXISTING SURFACE OR BASE ON WHICH THE HMA SURFACE IS PLACED.
- ACCESS TO DRIVEWAYS SHALL BE MAINTAINED AT ALL TIMES BY LIMITING CURB AND GUTTER REPAIR TO ONE-HALF THE DRIVEWAY WIDTH AT ONE TIME AS WELL AS TEMPORARY AGGREGATE. THE COST OF TEMPORARY AGGREGATE SHALL BE CONSIDERED INCLUDED IN THE COST OF DRIVEWAY ITEMS.
- THE REMOVAL AND/OR REPLACEMENT OF ANY DRIVEWAYS, PAVEMENT, CURB, SIDEWALK, ETC. SHALL BE ACCOMPLISHED BY MEANS OF A SAW CUT JOINT, AT THE DIRECTION OF THE ENGINEER. THIS WORK WILL NOT BE PAID FOR SEPARATELY, BUT SHALL BE INCLUDED IN THE UNIT PRICE FOR THE VARIOUS ITEMS.
- ANY LOOSE MATERIAL DEPOSITED IN THE FLOW LINE OF DITCHES, GUTTERS OR OTHER DRAINAGE STRUCTURES SHALL BE REMOVED BY THE END OF EACH DAY BY THE CONTRACTOR AT THEIR EXPENSE.
- FOR WORK OUTSIDE THE LIMITS OF BRIDGE APPROACH PAVEMENT, ALL REFERENCES IN THE HIGHWAY STANDARDS AND STANDARD SPECIFICATIONS FOR REINFORCEMENT, DOWEL BARS AND TIE BARS IN PAVEMENT, SHOULDERS, CURB, GUTTER, COMBINATION CURB AND GUTTER AND MEDIAN, AND CHAIR SUPPORTS FOR CRC PAVEMENT, SHALL BE EPOXY COATED, UNLESS OTHERWISE NOTED ON THE PLAN.

#### COMMITMENTS

- NO PAVEMENT PATCHING WILL BE PERMITTED AFTER FRIDAY AT 3:00PM OF EACH WEEK.

FILE NAME = 13312-QUAN-01 - IDOT P01

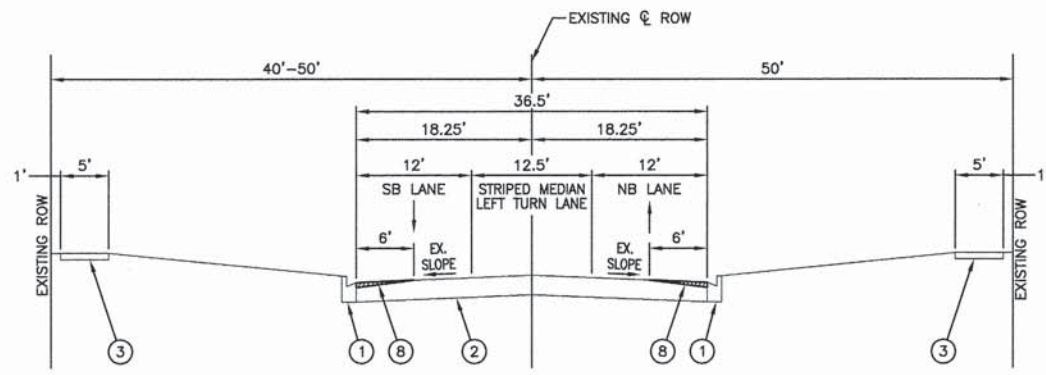
USER NAME =	DESIGNED -- J.P.H.	REVISED --
	CHECKED -- P.K.B.	REVISED --
PLOT SCALE =	DRAWN -- K.W.M.	REVISED --
PLOT DATE = 07-22-13	CHECKED -- A.P.G.	REVISED --

STATE OF ILLINOIS  
DEPARTMENT OF TRANSPORTATION

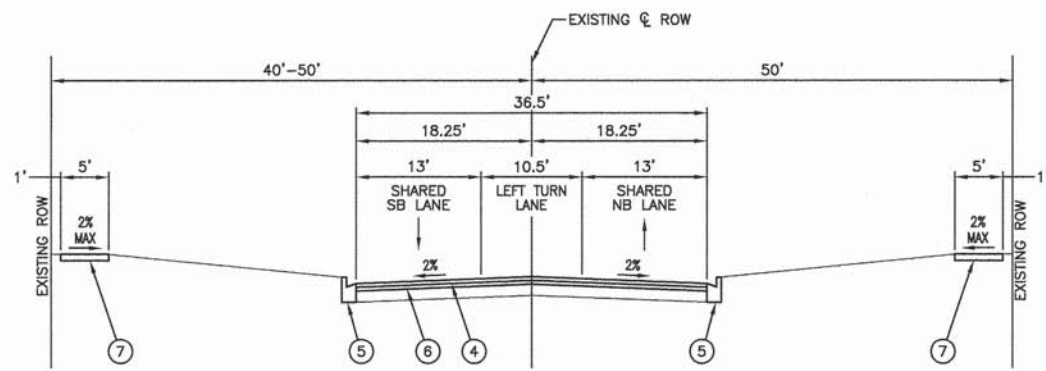
80TH AVENUE  
ROADWAY RESURFACING  
SUMMARY OF QUANTITIES & GENERAL NOTES

F.A.U. RTE.	SECTION	COUNTY	TOTAL SHEETS	SHEET NO.
2755	13-00116-00-RS	WILL	15	2
CONTRACT NO. 63852				
FED. ROAD DIST. NO. 1 ILLINOIS FED. AID PROJECT M-4003 (199)				

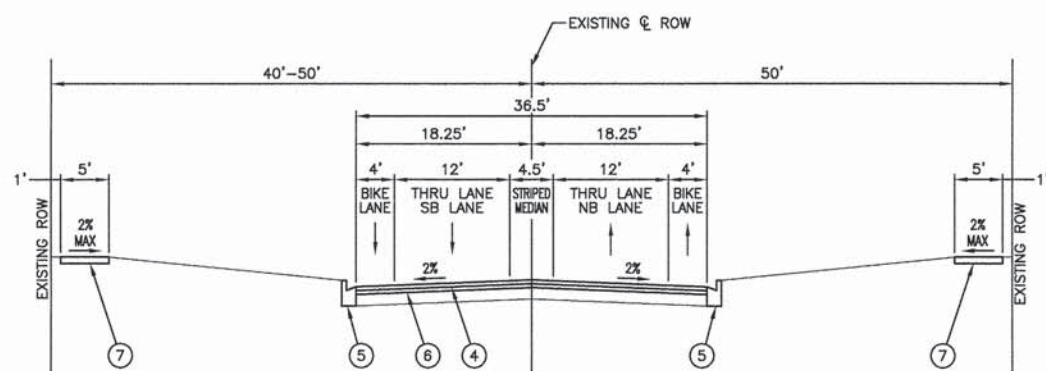
SCALE: SHEET NO. 2 OF 15 SHEETS STA. TO STA.



**EXISTING TYPICAL SECTION**  
80TH AVENUE  
STA. 46+06.96 TO STA. 94+81.47



**PROPOSED TYPICAL SECTION**  
80TH AVENUE  
STA. 46+06.96 TO STA. 68+20.50  
STA. 73+82.00 TO STA. 94+81.47



**PROPOSED TYPICAL SECTION**  
80TH AVENUE  
STA. 68+20.50 TO STA. 73+82.00

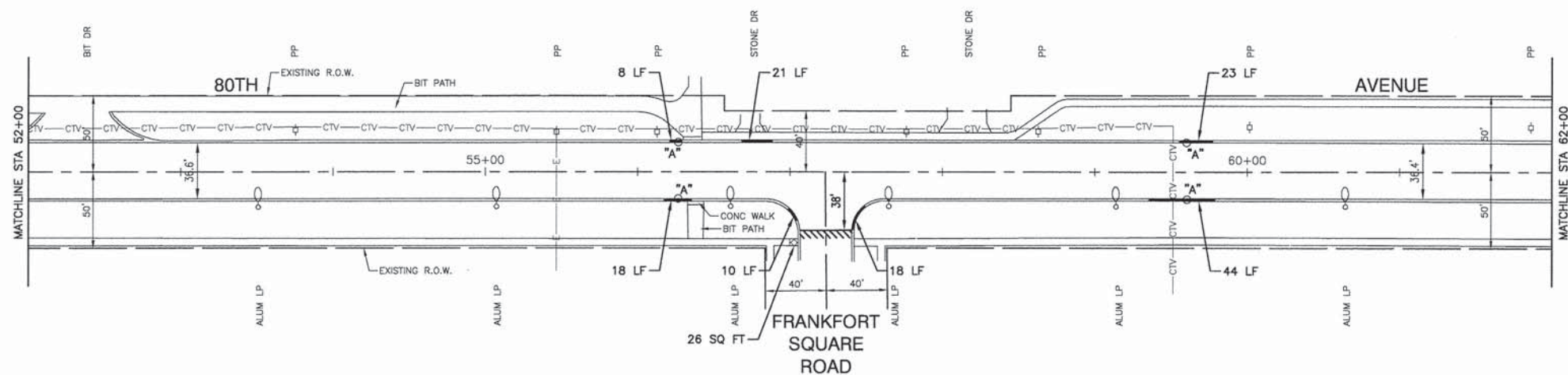
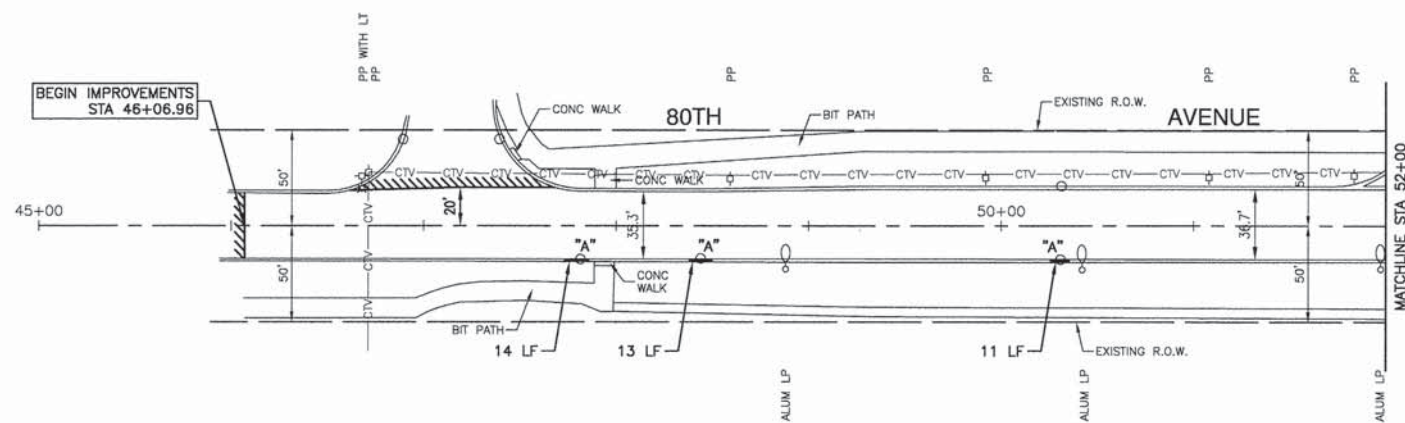
**LEGEND**

- ① EXISTING CURB AND GUTTER TO BE REMOVED AT LOCATIONS AS SHOWN ON PLANS OR DIRECTED BY THE ENGINEER.
- ② EXISTING HOT-MIX ASPHALT PAVEMENT
- ③ EXISTING PORTLAND CEMENT CONCRETE SIDEWALK TO BE REMOVED AT LOCATIONS AS SHOWN ON PLANS OR DIRECTED BY THE ENGINEER.
- ④ HOT-MIX ASPHALT SURFACE COURSE, 1-1/2"
- ⑤ COMBINATION CONCRETE CURB AND GUTTER, AT LOCATIONS AS SHOWN ON PLANS OR DIRECTED BY THE ENGINEER
- ⑥ 3/4" DEPTH OF HEATING, SCARIFICATION, ADDING REJUVENATION AGENT AND RECOMPACTING
- ⑦ PORTLAND CEMENT CONCRETE SIDEWALK, 5" AT LOCATIONS AS SHOWN ON PLANS OR DIRECTED BY THE ENGINEER
- ⑧ HOT-MIX ASPHALT SURFACE REMOVAL (SPECIAL) - EDGE GRIND

**HOT-MIX ASPHALT MIXTURE REQUIREMENTS**

MIXTURE TYPE	AIR VOIDS @ NDES
RESURFACING	
HOT MIX ASPHALT SURFACE COURSE, MIX "D", N70 (IL-9.5mm), 1-1/2"	4% @ 70 Gyr.
HOT-MIX ASPHALT - CURB PATCH	
HOT-MIX ASPHALT PATCH (HMA BINDER; IL-19.0mm, 7" (IN 3 LIFTS)	4% @ 70 Gyr.
DRIVEWAYS	
HOT MIX ASPHALT SURFACE COURSE, MIX "D", N50 (IL-9.5mm), 1-3/4"	4% @ 50 Gyr.
HOT-MIX ASPHALT BINDER COURSE, IL-19.0mm, N50, 2-1/4"	4% @ 50 Gyr.

- NOTES:
- THE UNIT WEIGHT USED TO CALCULATE ALL HOT-MIX ASPHALT SURFACE MIXTURE QUANTITIES IS 112 LBS/SY/IN.
  - THE "AC TYPE" FOR POLYMERIZED HMA MIXES SHALL BE "SBS/SBR PG 76-22" AND FOR NON-POLYMERIZED HMA THE "AC" TYPE SHALL BE "PG 64-22" UNLESS MODIFIED BY DISTRICT ONE SPECIAL PROVISIONS. FOR "PERCENT OF RAP" SEE DISTRICT ONE SPECIAL PROVISIONS.



**LEGEND**

- CONCRETE SIDEWALK REMOVAL AND REPLACEMENT
- BUTT JOINTS
- CURB REMOVAL
- "A" STRUCTURE TO BE ADJUSTED

FILE NAME = 13112-PLAN-01 - IDOT P01

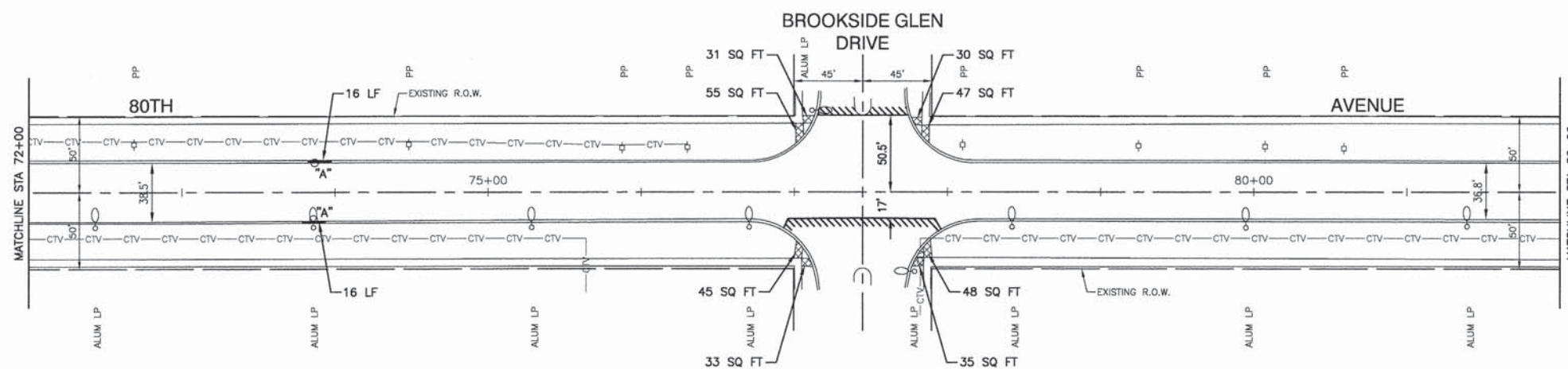
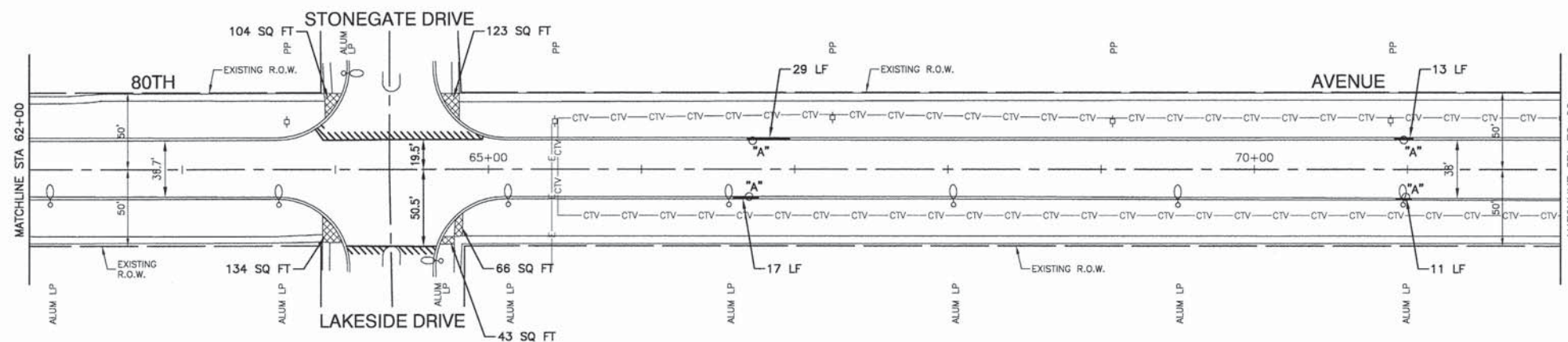
USER NAME =	DESIGNED -- J.P.H.	REVISED --
	CHECKED -- P.K.B.	REVISED --
PLOT SCALE =	DRAWN -- K.W.M.	REVISED --
PLOT DATE = 04/23/13	CHECKED -- A.P.G.	REVISED --

STATE OF ILLINOIS  
DEPARTMENT OF TRANSPORTATION




ROADWAY RESURFACING  
80TH AVENUE  
PROPOSED PLAN

F.A.U. RTE.	SECTION	COUNTY	TOTAL SHEETS	SHEET NO.
2755	13-00116-00-RS	WILL	15	4
FED. ROAD DIST. NO. 1 ILLINOIS FED. AID PROJECT M-4003 (199)			CONTRACT NO. 63852	

SCALE: 1"=50' SHEET NO. 4 OF 15 SHEETS STA. TO STA.



**LEGEND**

-  CONCRETE SIDEWALK REMOVAL AND REPLACEMENT
-  BUTT JOINTS
-  CURB REMOVAL
- "A"** STRUCTURE TO BE ADJUSTED

FILE NAME = 13312-PLAN-01 - IDOT P02

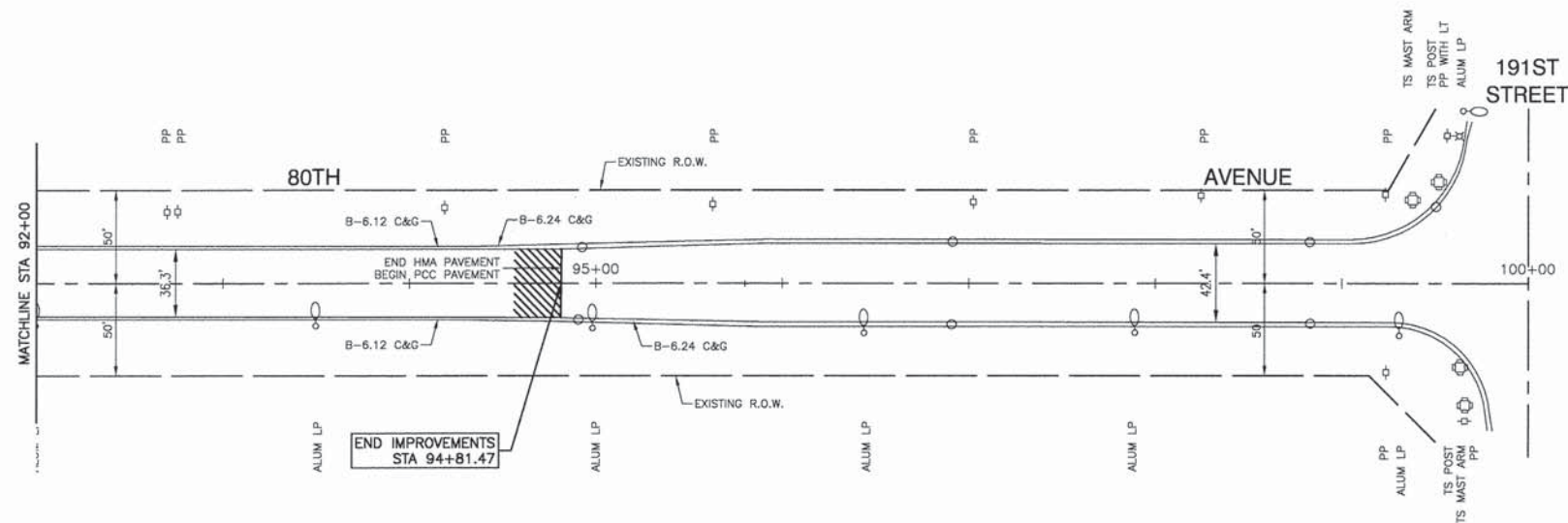
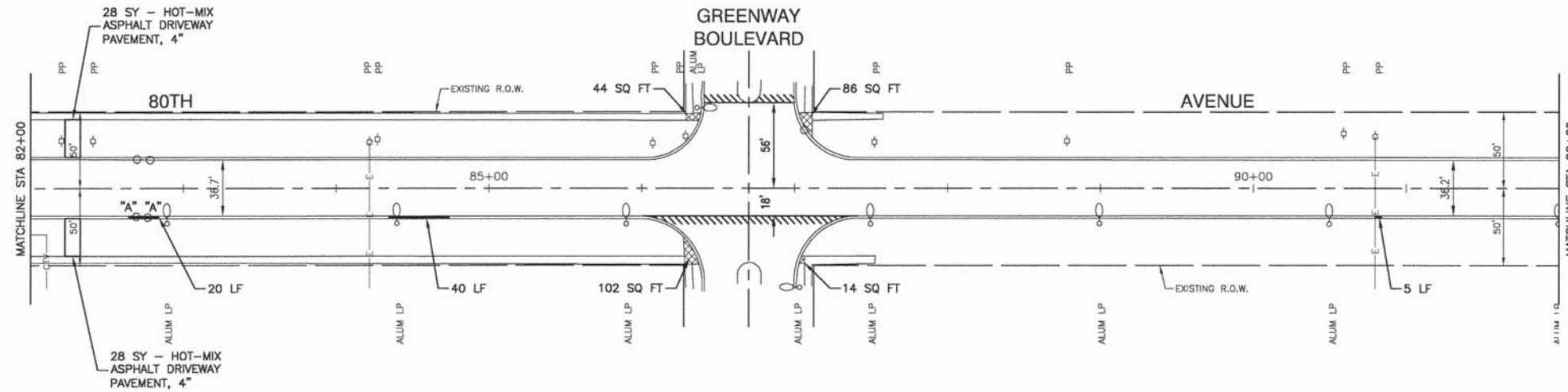
USER NAME =	DESIGNED — J.P.H.	REVISED —
	CHECKED — P.K.B.	REVISED —
PLOT SCALE =	DRAWN — K.W.M.	REVISED —
PLOT DATE = 04/23/13	CHECKED — A.P.G.	REVISED —

STATE OF ILLINOIS  
DEPARTMENT OF TRANSPORTATION

ROADWAY RESURFACING  
80TH AVENUE  
PROPOSED PLAN

F.A.U. RTE. 2755	SECTION 13-00116-00-RS	COUNTY WILL	TOTAL SHEETS 15	SHEET NO. 5
FED. ROAD DIST. NO. 1 ILLINOIS			FED. AID PROJECT M-4003 (199)	

SCALE: 1"=50' SHEET NO. 5 OF 15 SHEETS STA. TO STA.



**LEGEND**

- CONCRETE SIDEWALK REMOVAL AND REPLACEMENT
- BUTT JOINTS
- CURB REMOVAL
- "A"** STRUCTURE TO BE ADJUSTED

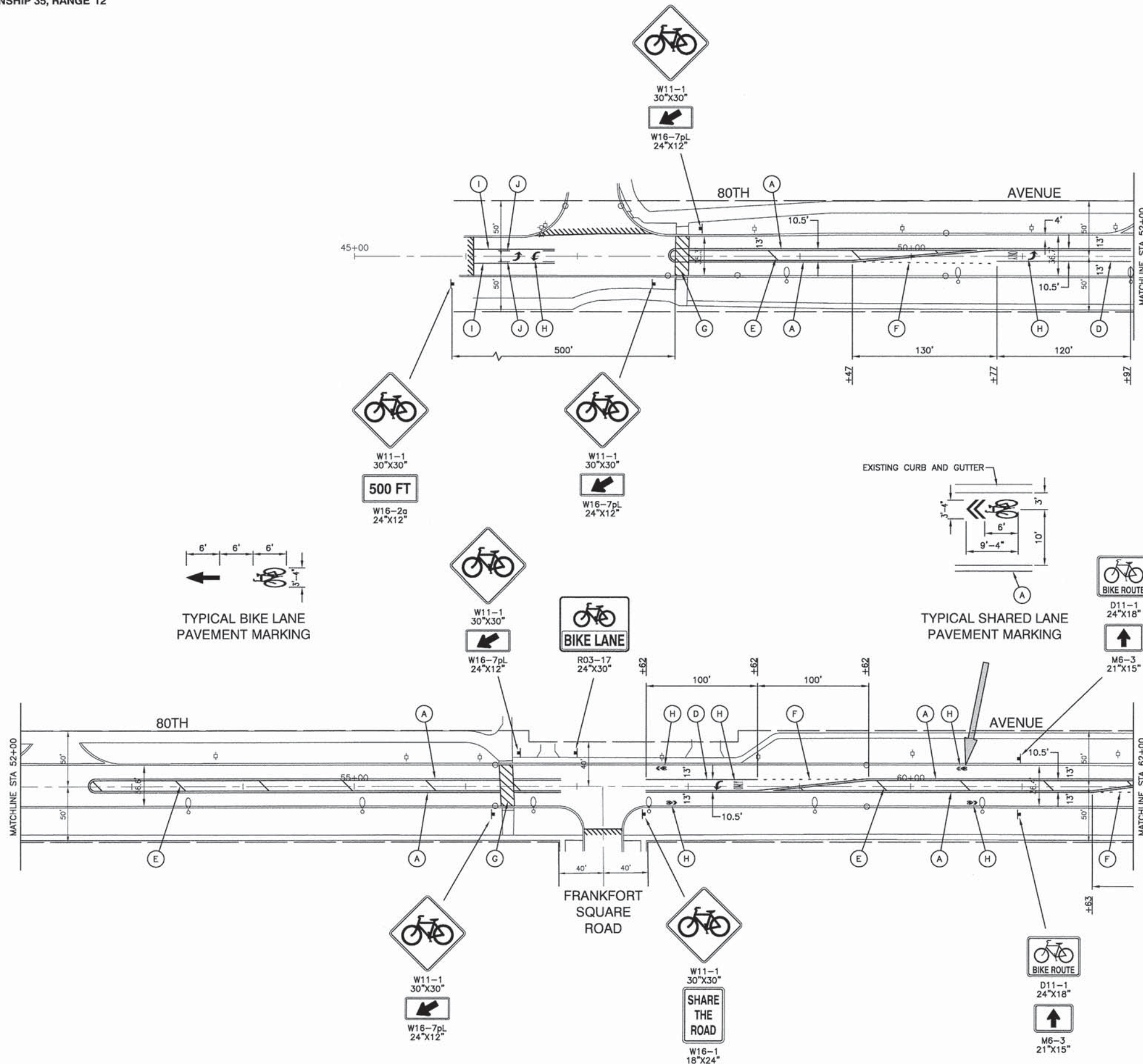
FILE NAME = 13312-PLAN-01 - IDOT P03

USER NAME =	DESIGNED -- J.P.H.	REVISED --
	CHECKED -- P.K.B.	REVISED --
PLOT SCALE =	DRAWN -- K.W.M.	REVISED --
PLOT DATE = 04/23/13	CHECKED -- A.P.G.	REVISED --

STATE OF ILLINOIS  
DEPARTMENT OF TRANSPORTATION

ROADWAY RESURFACING 80TH AVENUE PROPOSED PLAN		
SCALE: 1"=50'	SHEET NO. 6 OF 15 SHEETS	STA. TO STA.

F.A.U. RTE.	SECTION	COUNTY	TOTAL SHEETS	SHEET NO.
2755	13-00116-00-RS	WILL	15	6
FED. ROAD DIST. NO. 1 ILLINOIS			FED. AID PROJECT M-4003 (199)	
			CONTRACT NO. 63852	



**LEGEND**

- (A) THERMOPLASTIC PAVEMENT MARKING LINE, 4" DOUBLE YELLOW (11" OC)
- (B) THERMOPLASTIC PAVEMENT MARKING LINE, 4" WHITE
- (C) THERMOPLASTIC PAVEMENT MARKING LINE, 4" WHITE SKIP DASH (2' LINE - 6" SPACE)
- (D) THERMOPLASTIC PAVEMENT MARKING LINE, 6" WHITE
- (E) THERMOPLASTIC PAVEMENT MARKING LINE, 12" YELLOW DIAGONAL (75' C-C)
- (F) THERMOPLASTIC PAVEMENT MARKING LINE, 6" WHITE SKIP DASH (2' LINE - 6" SPACE)
- (G) THERMOPLASTIC PAVEMENT MARKING LINE, 12" WHITE CROSSWALK (2' C-C)
- (H) THERMOPLASTIC PAVEMENT MARKING LINE, WHITE LETTERS AND SYMBOLS
- (I) THERMOPLASTIC PAVEMENT MARKING LINE, 4" YELLOW
- (J) THERMOPLASTIC PAVEMENT MARKING LINE, 4" YELLOW SKIP DASH (10' LINE - 30' SPACE)

FILE NAME = 13312-PLAN-01 - IDOT PVMT 01

USER NAME =	DESIGNED -- J.P.H.	REVISED --
	CHECKED -- P.K.B.	REVISED --
PLOT SCALE =	DRAWN -- K.W.M.	REVISED --
PLOT DATE = 04/23/13	CHECKED -- A.P.G.	REVISED --

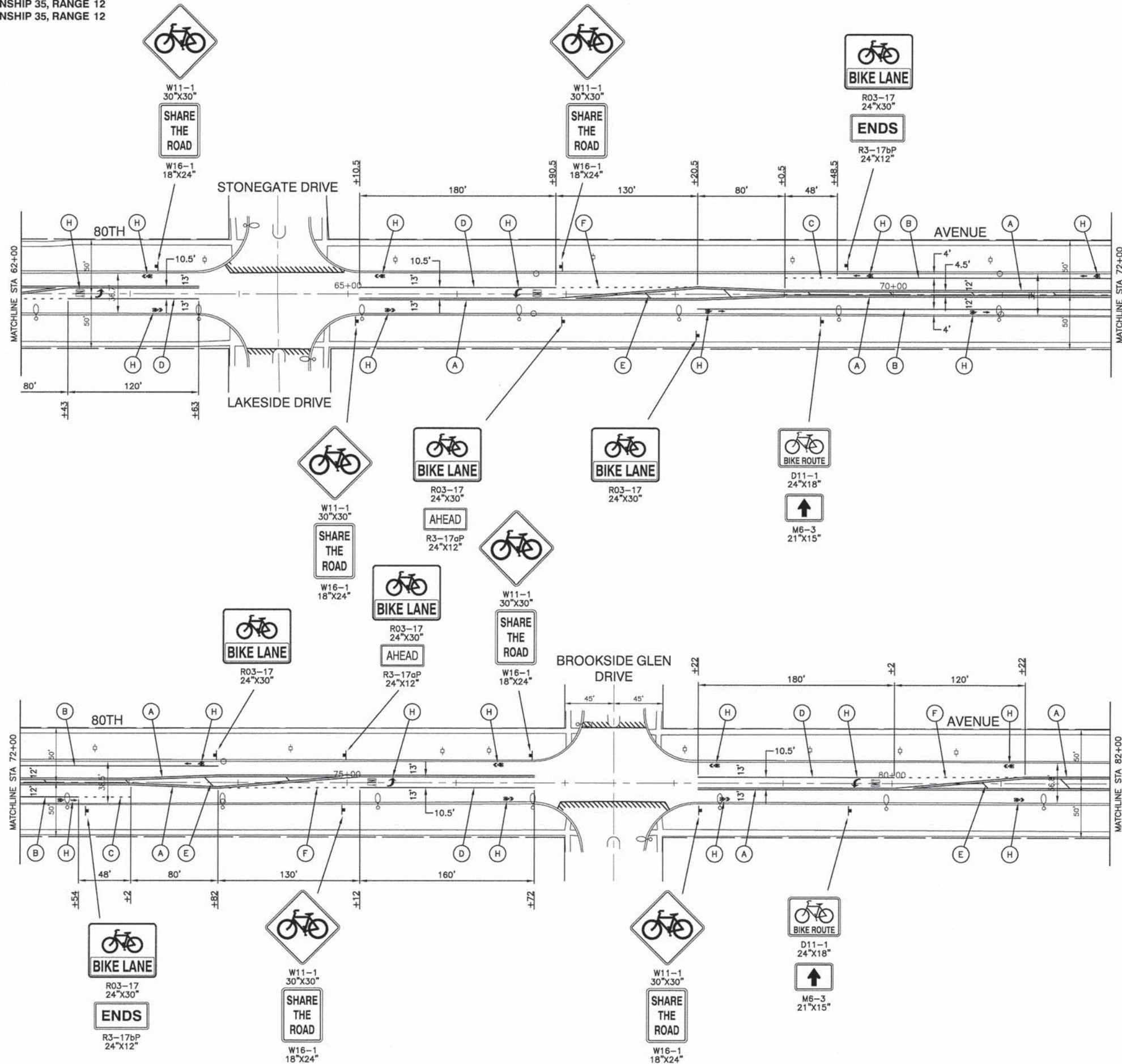
STATE OF ILLINOIS  
DEPARTMENT OF TRANSPORTATION

ROADWAY RESURFACING  
80TH AVENUE  
PAVEMENT MARKING PLAN

SCALE: 1"=50'

SHEET NO. 7 OF 15 SHEETS STA. TO STA.

F.A.U. RTE.	SECTION	COUNTY	TOTAL SHEETS	SHEET NO.
2755	13-00116-00-RS	WILL	15	7
FED. ROAD DIST. NO. 1 ILLINOIS FED. AID PROJECT M-4003 (199)			CONTRACT NO. 63852	



**LEGEND**

- (A) THERMOPLASTIC PAVEMENT MARKING LINE, 4" DOUBLE YELLOW (11" OC)
- (B) THERMOPLASTIC PAVEMENT MARKING LINE, 4" WHITE
- (C) THERMOPLASTIC PAVEMENT MARKING LINE, 4" WHITE SKIP DASH (2' LINE - 6' SPACE)
- (D) THERMOPLASTIC PAVEMENT MARKING LINE, 6" WHITE
- (E) THERMOPLASTIC PAVEMENT MARKING LINE, 12" YELLOW DIAGONAL (75' C-C)
- (F) THERMOPLASTIC PAVEMENT MARKING LINE, 6" WHITE SKIP DASH (2' LINE - 6' SPACE)
- (G) THERMOPLASTIC PAVEMENT MARKING LINE, 12" WHITE CROSSWALK (2' C-C)
- (H) THERMOPLASTIC PAVEMENT MARKING LINE, WHITE LETTERS AND SYMBOLS
- (I) THERMOPLASTIC PAVEMENT MARKING LINE, 4" YELLOW
- (J) THERMOPLASTIC PAVEMENT MARKING LINE, 4" YELLOW SKIP DASH (10' LINE - 30' SPACE)

FILE NAME = 13312-PLAN-01 - IDOT PVMT 02

USER NAME =  
PLOT SCALE =  
PLOT DATE = 07-22-13

DESIGNED - J.P.H.  
CHECKED - P.K.B.  
DRAWN - K.W.M.  
CHECKED - A.P.G.

REVISED -  
REVISED -  
REVISED -  
REVISED -

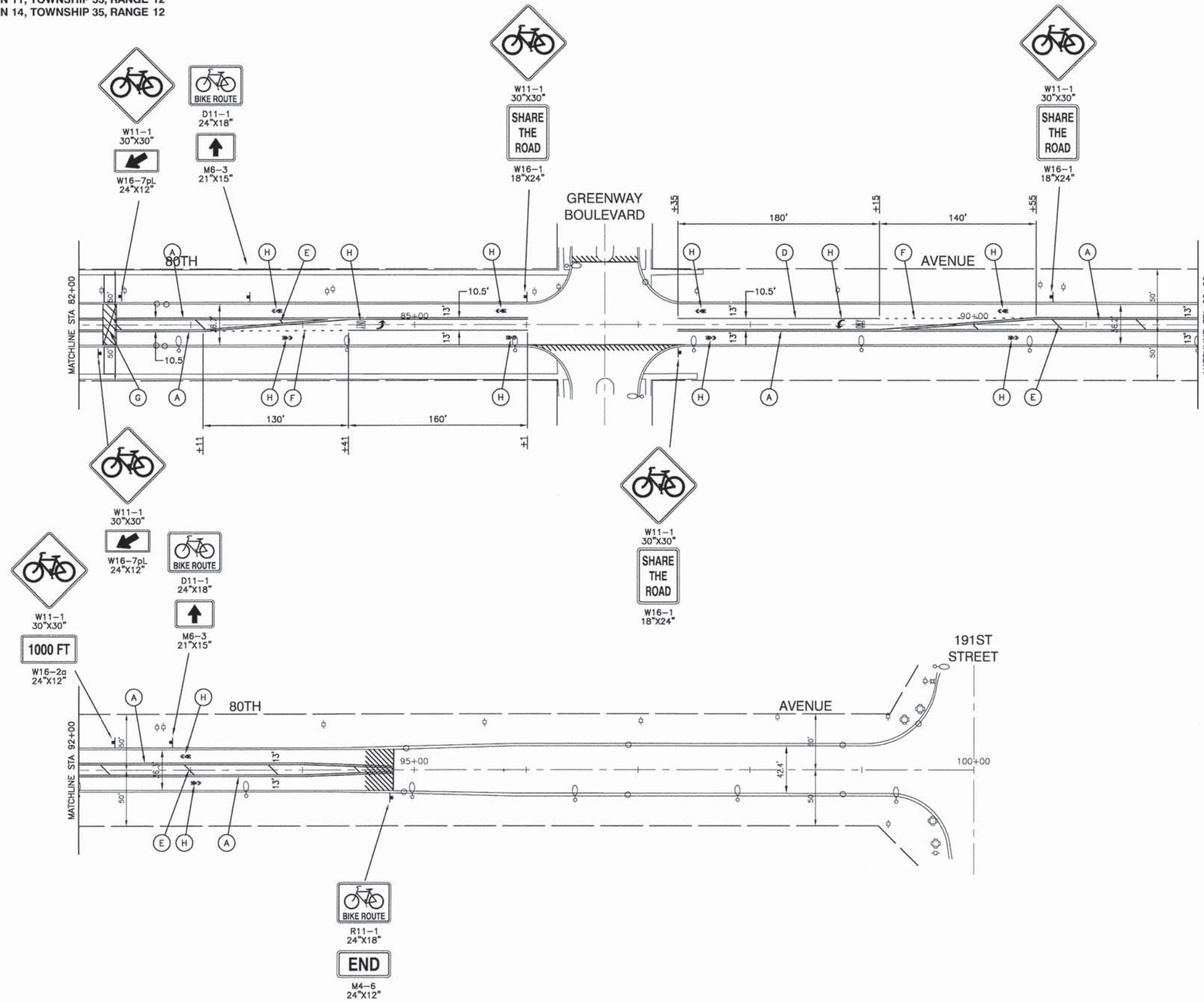
STATE OF ILLINOIS  
DEPARTMENT OF TRANSPORTATION

ROADWAY RESURFACING  
80TH AVENUE  
PAVEMENT MARKING PLAN

SCALE: 1"=50' SHEET NO. 8 OF 15 SHEETS STA. TO STA.

F.A.U. RTE.	SECTION	COUNTY	TOTAL SHEETS	SHEET NO.
2755	13-00116-00-RS	WILL	15	8
FED. ROAD DIST. NO. 1 ILLINOIS			CONTRACT NO. 63852	
FED. AID PROJECT M-4003 (199)				





**LEGEND**

- (A) THERMOPLASTIC PAVEMENT MARKING LINE, 4" DOUBLE YELLOW (11" OC)
- (B) THERMOPLASTIC PAVEMENT MARKING LINE, 4" WHITE
- (C) THERMOPLASTIC PAVEMENT MARKING LINE, 4" WHITE SKIP DASH (2' LINE - 6" SPACE)
- (D) THERMOPLASTIC PAVEMENT MARKING LINE, 6" WHITE
- (E) THERMOPLASTIC PAVEMENT MARKING LINE, 12" YELLOW DIAGONAL (75' C-C)
- (F) THERMOPLASTIC PAVEMENT MARKING LINE, 6" WHITE SKIP DASH (2' LINE - 6" SPACE)
- (G) THERMOPLASTIC PAVEMENT MARKING LINE, 12" WHITE CROSSWALK (2' C-C)
- (H) THERMOPLASTIC PAVEMENT MARKING LINE, WHITE LETTERS AND SYMBOLS
- (I) THERMOPLASTIC PAVEMENT MARKING LINE, 4" YELLOW
- (J) THERMOPLASTIC PAVEMENT MARKING LINE, 4" YELLOW SKIP DASH (10' LINE - 30' SPACE)

FILE NAME = 13312-PLAN-01 - IDOT P/MT 03

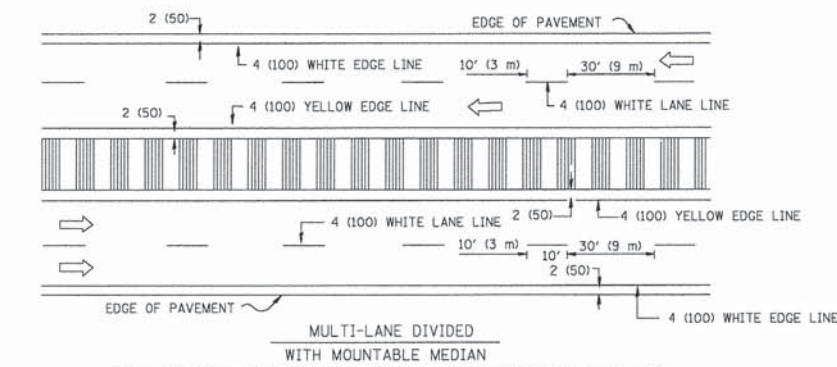
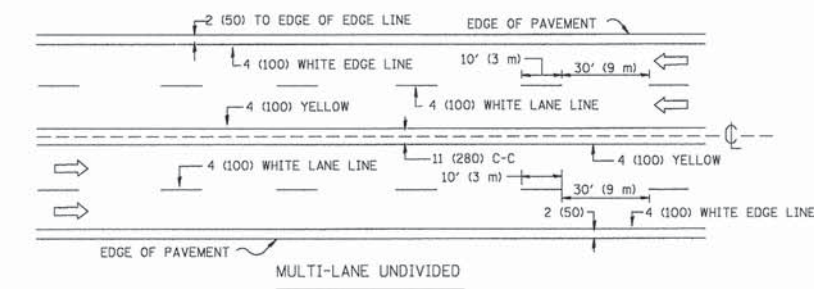
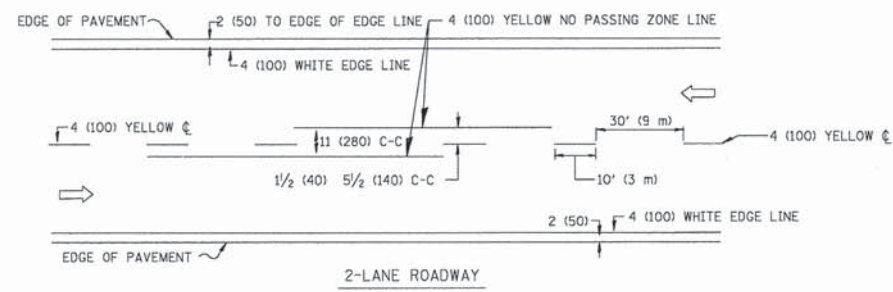
USER NAME =	DESIGNED -- J.P.H.	REVISED --
PLOT SCALE =	CHECKED -- P.K.B.	REVISED --
PLOT DATE = 04/23/13	DRAWN -- K.W.M.	REVISED --
	CHECKED -- A.P.G.	REVISED --

STATE OF ILLINOIS  
DEPARTMENT OF TRANSPORTATION

ROADWAY RESURFACING  
80TH AVENUE  
PAVEMENT MARKING PLAN

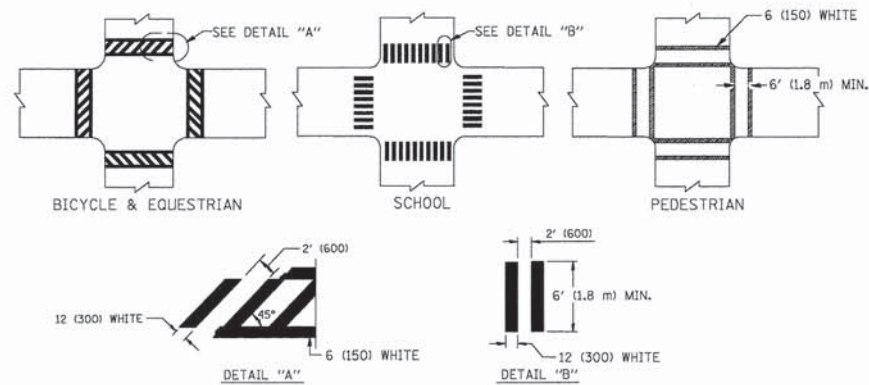
SCALE: 1"=50' SHEET NO. 9 OF 15 SHEETS STA. TO STA.

F.A.U. RTE.	SECTION	COUNTY	TOTAL SHEETS	SHEET NO.
2755	13-00116-00-RS	WILL	15	9
FED. ROAD DIST. NO. 1 ILLINOIS			FED. AID PROJECT M-4003 (199)	
CONTRACT NO. 63852				

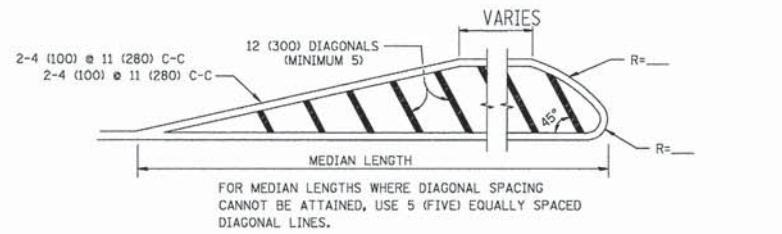
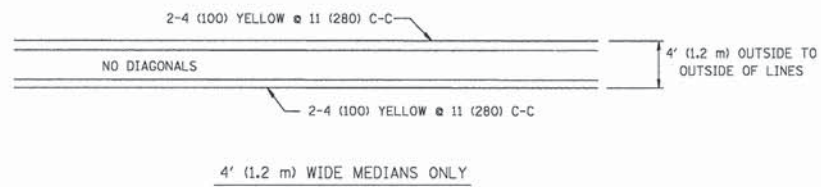


NOTE: MEDIANS WITH BARRIER CURB DO NOT REQUIRE AN EDGE LINE

TYPICAL LANE AND EDGE LINE MARKING

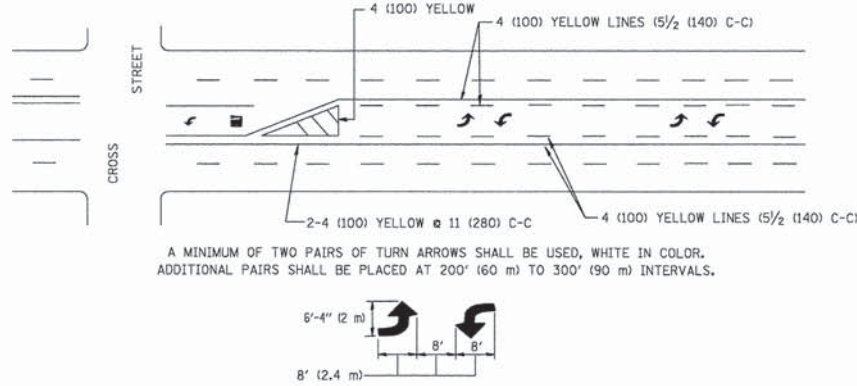


TYPICAL CROSSWALK MARKING



DIAGONAL LINE SPACING: 50' (15 m) C-C (LESS THAN 30MPH (50 km/h))  
75' (25 m) C-C 30MPH (50 km/h) TO 45MPH (70 km/h)  
150' (45 m) C-C (MORE THAN 45MPH (70 km/h))

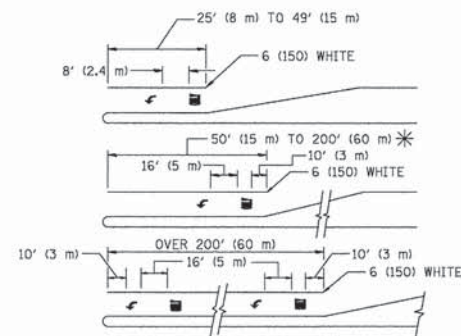
MEDIANS OVER 4' (1.2 m) WIDE



A MINIMUM OF TWO PAIRS OF TURN ARROWS SHALL BE USED, WHITE IN COLOR. ADDITIONAL PAIRS SHALL BE PLACED AT 200' (60 m) TO 300' (90 m) INTERVALS.

MEDIAN WITH TWO-WAY LEFT TURN LANE

TYPICAL PAINTED MEDIAN MARKING

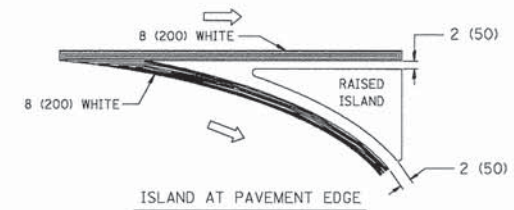
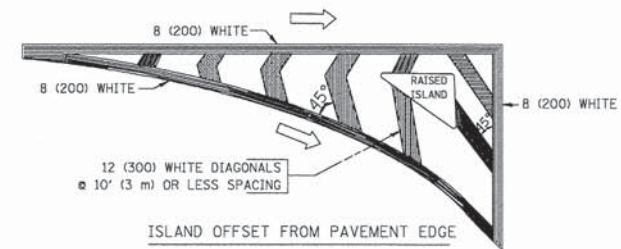


FULL SIZE LETTERS 8' (2.4 m) AND ARROWS SHALL BE USED.  
AREA = 15.6 SQ. FT. (1.5 m<sup>2</sup>) ONLY AREA = 20.8 SQ. FT. (1.9 m<sup>2</sup>)

\* TURN LANES IN EXCESS OF 400' (120 m) IN LENGTH MAY HAVE AN ADDITIONAL SET OF ARROW - "ONLY" INSTALLED MIDWAY BETWEEN THE OTHER TWO SETS OF ARROW - "ONLY".

TYPICAL LEFT (OR RIGHT) TURN LANE

TYPICAL TURN LANE MARKING

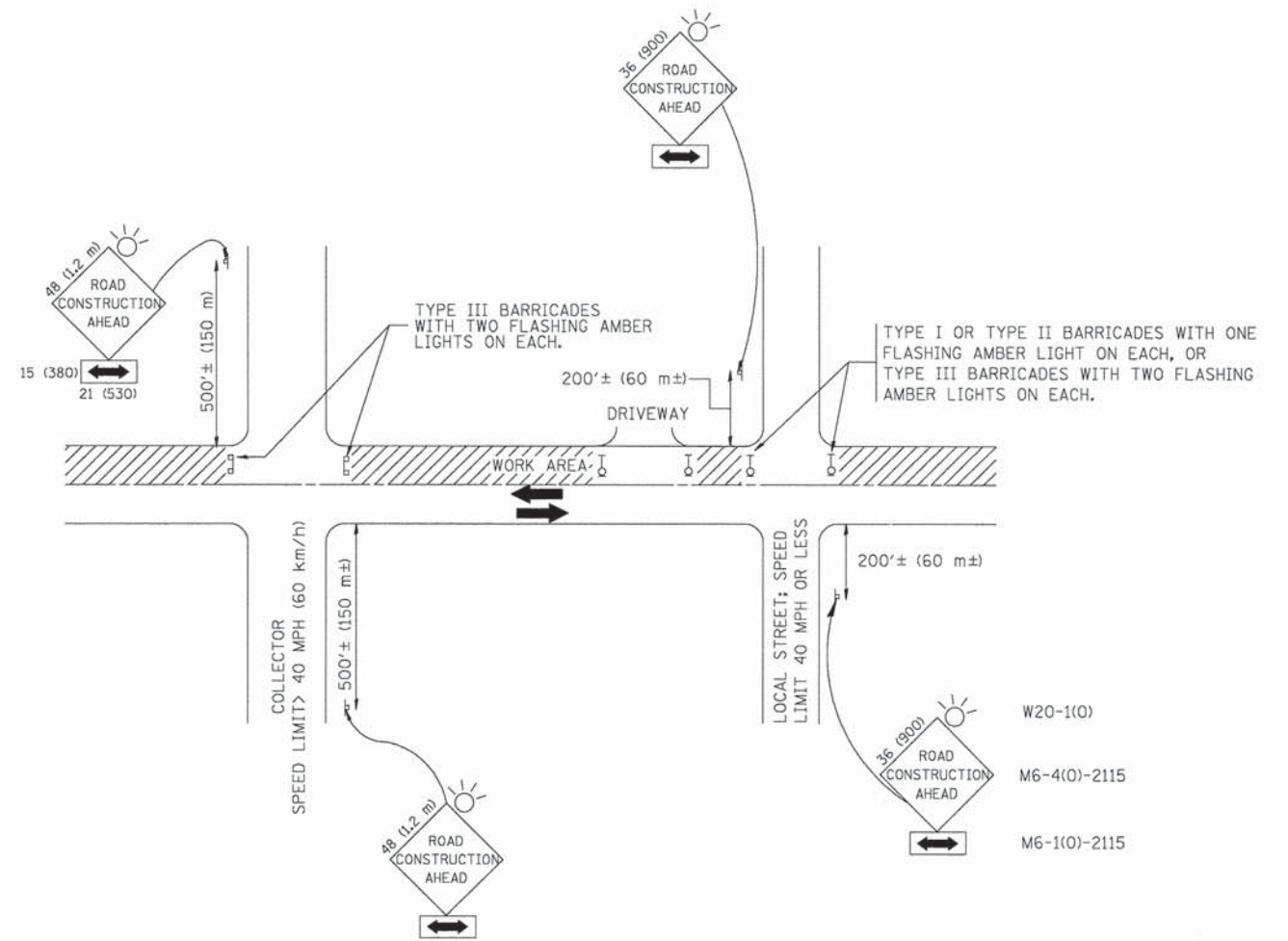


TYPICAL ISLAND MARKING

TYPE OF MARKING	WIDTH OF LINE	PATTERN	COLOR	SPACING / REMARKS
CENTERLINE ON 2 LANE PAVEMENT	4 (100)	SKIP-DASH	YELLOW	10' (3 m) LINE WITH 30' (9 m) SPACE
CENTERLINE ON MULTI-LANE UNDIVIDED PAVEMENT	2 @ 4 (100)	SOLID	YELLOW	11 (280) C-C
NO PASSING ZONE LINES: FOR ONE DIRECTION FOR BOTH DIRECTIONS	4 (100) 2 @ 4 (100)	SOLID SOLID	YELLOW YELLOW	5/2 (140) C-C FROM SKIP-DASH CENTERLINE 11 (280) C-C OMIT SKIP-DASH CENTERLINE BETWEEN
LANE LINES	4 (100) 5 (125) ON FREEWAYS	SKIP-DASH SKIP-DASH	WHITE WHITE	10' (3 m) LINE WITH 30' (9 m) SPACE
DOTTED LINES (EXTENSIONS OF CENTER, LANE OR TURN LANE MARKINGS)	SAME AS LINE BEING EXTENDED	SKIP-DASH	SAME AS LINE BEING EXTENDED	2' (600) LINE WITH 6' (1.8 m) SPACE
EDGE LINES	4 (100)	SOLID	YELLOW-LEFT WHITE-RIGHT	OUTLINE MOUNTABLE MEDIANS IN YELLOW; EDGE LINES ARE NOT USED NEXT TO BARRIER CURB
TURN LANE MARKINGS	6 (150) LINE; FULL SIZE LETTERS & SYMBOLS (8' (2.4m))	SOLID	WHITE	SEE TYPICAL TURN LANE MARKING DETAIL
TWO WAY LEFT TURN MARKING	2 @ 4 (100) EACH DIRECTION	SKIP-DASH AND SOLID	YELLOW	10' (3 m) LINE WITH 30' (9 m) SPACE FOR SKIP-DASH; 5/2 (140) C-C BETWEEN SOLID LINE AND SKIP-DASH LINE
	8' (2.4m) LEFT ARROW	IN PAIRS	WHITE	SEE TYPICAL TWO-WAY LEFT TURN MARKING DETAIL
CROSSWALK LINES (PEDESTRIAN) A. DIAGONALS (BIKE & EQUESTRIAN) B. LONGITUDINAL BARS (SCHOOL)	2 @ 6 (150) 12 (300) @ 45° 12 (300) @ 90°	SOLID SOLID SOLID	WHITE WHITE WHITE	NOT LESS THAN 6' (1.8 m) APART 2' (600) APART 2' (600) APART SEE TYPICAL CROSSWALK MARKING DETAILS.
STOP LINES	24 (600)	SOLID	WHITE	PLACE 4' (1.2 m) IN ADVANCE OF AND PARALLEL TO CROSSWALK, IF PRESENT. OTHERWISE, PLACE AT DESIRED STOPPING POINT, PARALLEL TO CROSSROAD CENTERLINE, WHERE POSSIBLE
PAINTED MEDIANS	2 @ 4 (100) WITH 12 (300) DIAGONALS @ 45°	SOLID	YELLOW: TWO WAY TRAFFIC WHITE: ONE WAY TRAFFIC	11 (280) C-C FOR THE DOUBLE LINE SEE TYPICAL PAINTED MEDIAN MARKING.
GORE MARKING AND CHANNELIZING LINES	8 (200) WITH 12 (300) DIAGONALS @ 45°	SOLID	WHITE	DIAGONALS: 15' (4.5 m) C-C (LESS THAN 30MPH (50 km/h)) 20' (6 m) C-C 30MPH (50 km/h) TO 45MPH (70 km/h) 30' (9 m) C-C (OVER 45MPH (70 km/h))
RAILROAD CROSSING	24 (600) TRANSVERSE LINES; "RR" 15' (4.5 m) LINE FOR "X"	SOLID	WHITE	SEE STATE STANDARD 780001 AREA OF: "R"=3.6 SQ. FT. (0.33 m <sup>2</sup> ) EACH "X"=54.0 SQ. FT. (5.0 m <sup>2</sup> )
SHOULDER DIAGONALS	12 (300) @ 45°	SOLID	WHITE - RIGHT YELLOW - LEFT	50' (15 m) C-C (LESS THAN 30MPH (50 km/h)) 75' (25 m) C-C (30 MPH (50 km/h) TO 45MPH (70 km/h)) 150' (45 m) C-C (OVER 45MPH (70 km/h))

FOR FURTHER DETAILS ON PAVEMENT MARKING REFER TO STANDARD SPECIFICATIONS FOR ROAD AND BRIDGE CONSTRUCTION AND STATE STANDARD 780001.

All dimensions are in inches (millimeters) unless otherwise shown.



TRAFFIC CONTROL AND PROTECTION FOR SIDE ROADS, INTERSECTIONS, AND DRIVEWAYS

NOTES:

A. FOR NO LANE RESTRICTION ON THE SIDE ROAD OR DRIVEWAYS

1. SIDE ROAD WITH A SPEED LIMIT OF 40 MPH (60 km/h) OR LESS AS SHOWN ON THE DRAWING AND AS DIRECTED BY THE ENGINEER:
  - a) ONE **ROAD CONSTRUCTION AHEAD** SIGN 36 x 36 (900x900) WITH A FLASHER AND FLAG MOUNTED ON IT APPROXIMATELY 200' (60 m) IN ADVANCE OF THE MAIN ROUTE.
  - b) THE CLOSED PORTION OF THE MAIN ROUTE SHALL BE PROTECTED BY BLOCKING WITH TYPE I, TYPE II OR TYPE III BARRICADES, 1/3 OF THE CROSS SECTION OF THE CLOSED PORTION.
2. SIDE ROAD WITH A SPEED LIMIT GREATER THAN 40 MPH (60 km/h) AS SHOWN ON THE DRAWING AND AS DIRECTED BY THE ENGINEER:
  - a) ONE **ROAD CONSTRUCTION AHEAD** SIGN 48 x 48 (1.2 m x 1.2 m) WITH A FLASHER MOUNTED ON IT APPROXIMATELY 500' (150 m) IN ADVANCE OF THE MAIN ROUTE.
  - b) THE CLOSED PORTION OF THE MAIN ROUTE SHALL BE PROTECTED BY BLOCKING WITH TYPE III BARRICADES, 1/2 OF THE CROSS SECTION OF THE CLOSED PORTION.
3. WHEN THE SIDE ROAD LIES BETWEEN THE BEGINNING OF THE MAINLINE SIGNING AND THE WORK ZONE, A SINGLE HEADED ARROW (M6-1) SHALL BE USED IN LIEU OF THE DOUBLE HEADED ARROW (M6-4).

B. FOR A LANE CLOSURE ON A SIDE ROAD OR DRIVEWAY:

- USE APPLICABLE PORTIONS OF THE TYPICAL APPLICATION OF TRAFFIC CONTROL DEVICES (STD. 701501, STD. 701606 OR THE APPROPRIATE STANDARD). THE SPACING OF SIGNS AND BARRICADES SHALL BE ADJUSTED FOR FIELD CONDITIONS AS DIRECTED BY THE ENGINEER. THE DIRECTIONAL ARROW SHALL BE COVERED OR REMOVED WHEN NO LONGER CONSISTENT WITH THE SIDE ROAD LANE CLOSURE.
- C. ADVANCE WARNING SIGNS ARE TO BE OMITTED ON DRIVEWAY UNLESS OTHERWISE NOTED.
- D. THE TRAFFIC CONTROL AND PROTECTION FOR SIDE ROADS, INTERSECTIONS, AND DRIVEWAYS SHALL BE INCIDENTAL TO THE COST OF SPECIFIED TRAFFIC CONTROL STANDARDS OR ITEMS.

All dimensions are in millimeters (inches) unless otherwise shown.

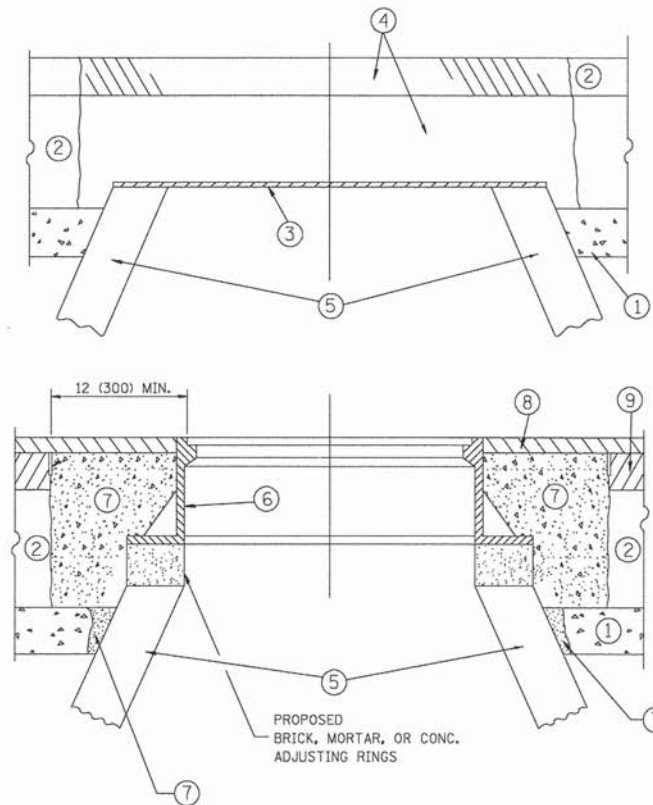
FILE NAME = 13312-DTUS-02-TC10 - TC-10	USER NAME = geglanobt	DESIGNED -- LHA	REVISED -- J. OBERLE 10-18-95
		CHECKED --	REVISED -- A. HOUSEH 03-06-96
	PLOT SCALE = 50.000 / IN.	DRAWN --	REVISED -- A. HOUSEH 10-15-96
	PLOT DATE = 1/4/2008	CHECKED -- 06-89	REVISED -- T. RAMMACHER 01-06-00

STATE OF ILLINOIS  
DEPARTMENT OF TRANSPORTATION

TRAFFIC CONTROL AND PROTECTION FOR  
SIDE ROADS, INTERSECTIONS, AND DRIVEWAYS

SCALE: 1"=50' SHEET NO. 11 OF 15 SHEETS STA. TO STA.

FAU RTE.	SECTION	COUNTY	TOTAL SHEETS	SHEET NO.
2755	13-00116-00-RS	WILL	15	11
TC-10			CONTRACT NO. 63852	
FED. ROAD DIST. NO. 1 ILLINOIS FED. AID PROJECT M-4003 (199)				



**NOTES:**

EXISTING BROKEN FRAMES AND LIDS SHALL BE REMOVED AND DISPOSED OF BY THE CONTRACTOR AND SHALL BE REPLACED AS DIRECTED BY THE ENGINEER. REPLACEMENT FRAMES AND LIDS WILL BE PAID FOR IN ACCORDANCE WITH ARTICLE 109.04 OF THE STANDARD SPECIFICATIONS UNLESS A SEPARATE PAY ITEM HAS BEEN PROVIDED.

IF THE EXISTING LIDS ARE OPEN, THE FRAME WILL BE ADJUSTED TO THE ELEVATION OF THE MILLED PAVEMENT SURFACE PRIOR TO THE MILLING OPERATION. THE FRAME WILL NOT BE REMOVED AND COVERED BY THE METAL PLATE.

CITY OF CHICAGO CASTINGS ARE THE PROPERTY OF THE CITY AND THE CONTRACTOR SHALL NOTIFY THE CITY FOR REMOVAL AND DISPOSITION OF THE CASTINGS.

THE METAL PLATE USED TO COVER THE STRUCTURE SHALL REMAIN THE PROPERTY OF THE CONTRACTOR.

WHEN STRUCTURES ARE TO BE ADJUSTED OR RECONSTRUCTED, THE LOWERING AND RAISING OF THE FRAMES AND LIDS WILL NOT BE PAID FOR SEPARATELY BUT WILL BE INCLUDED IN THE COST OF THE CORRESPONDING PAY ITEM.

**CONSTRUCTION PROCEDURES**

**STAGE 1 (BEFORE PAVEMENT MILLING)**

- A) REMOVE A MINIMUM OF 12 (300) OF THE PAVEMENT FROM AROUND THE STRUCTURE.
- B) REMOVE THE EXISTING FRAME AND LID FROM THE STRUCTURE.
- C) COVER THE STRUCTURE OPENING WITH A 36 (900) DIAMETER METAL PLATE.
- D) BACKFILL WITH CRUSHED STONE AND A MINIMUM 1/2 (40) THICK HMA SURFACE MIX APPROVED BY THE ENGINEER.

**STAGE 2 (AFTER PAVEMENT MILLING)**

- A) REMOVE THE HMA SURFACE MIX AND CRUSHED STONE.
- B) INSTALL THE FRAME AND LID; ADJUST THE FRAME TO ITS FINAL SURFACE ELEVATION.
- C) THE SURROUNDING SPACE SHALL BE FILLED WITH CLASS PP-1\* CONCRETE TO THE ELEVATION OF THE SURFACE OF THE EXISTING BASE COURSE OR THE BINDER COURSE.

\*UNLESS OTHERWISE SPECIFIED IN THE PLANS.

THE PROCEDURE EXPLAINED ABOVE SHALL CONFORM TO THE APPLICABLE PORTIONS OF SECTIONS 353, 406, 602, AND 603 OF THE STANDARD SPECIFICATIONS EXCEPT THAT THE CONTRACTOR SHALL ADJUST THE STRUCTURES TO THE FINISHED PAVEMENT ELEVATION NO MORE THAN 5 CALENDAR DAYS PRIOR TO PLACEMENT OF THE FINAL LIFT OF SURFACE UNLESS APPROVED BY THE ENGINEER.

**LEGEND**

- ① SUB-BASE GRANULAR MATERIAL
- ② EXISTING PAVEMENT
- ③ 36 (900) DIAMETER METAL PLATE
- ④ PROPOSED CRUSHED STONE AND HMA SURFACE MIX
- ⑤ EXISTING STRUCTURE
- ⑥ FRAME AND LID (SEE NOTES)
- ⑦ CLASS PP-1\* CONCRETE
- ⑧ PROPOSED HMA SURFACE COURSE
- ⑨ PROPOSED HMA BINDER COURSE

**LOCATION OF STRUCTURES:**

THE CONTRACTOR WILL BE REQUIRED TO KEEP A RECORD OF THE LOCATIONS OF THE BURIED STRUCTURES ACCORDING TO THE STATION AND DISTANCE LEFT OR RIGHT OF THE CENTERLINE OF PAVEMENT. UPON COMPLETION OF THE WORK, THE CONTRACTOR WILL DELIVER THE RECORD TO THE ENGINEER.

**BASIS OF PAYMENT:**

REMOVING FRAMES AND LIDS ON DRAINAGE AND UTILITY STRUCTURES IN THE PAVEMENT PRIOR TO MILLING, AND ADJUSTING TO FINAL GRADE PRIOR TO PLACING THE SURFACE COURSE, WILL BE PAID FOR AT THE CONTRACT UNIT PRICE EACH FOR "FRAMES AND LIDS TO BE ADJUSTED (SPECIAL)."

THIS WORK WILL NOT BE PAID FOR WHEN DRAINAGE AND UTILITY STRUCTURES ARE SPECIFIED FOR PAYMENT AS STRUCTURE RECONSTRUCTION.

NEW FRAMES AND LIDS, WHEN SPECIFIED, WILL BE PAID FOR SEPARATELY.

**DETAILS FOR FRAMES AND LIDS ADJUSTMENT WITH MILLING**

ALL DIMENSIONS ARE IN INCHES (MILLIMETERS) UNLESS OTHERWISE SHOWN

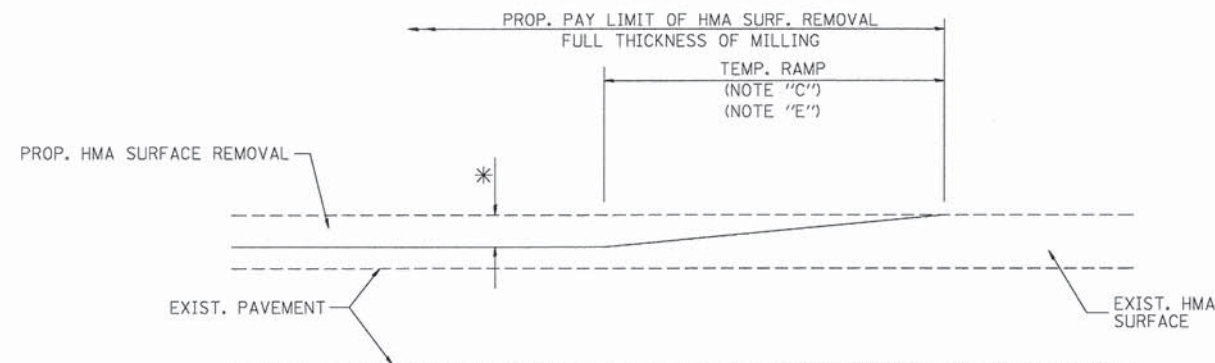
REVISIONS		ILLINOIS DEPARTMENT OF TRANSPORTATION			
NAME	DATE	DETAILS FOR FRAMES AND LIDS ADJUSTMENT WITH MILLING			
R. SHAH	10/25/94	F.A.U. RTE.	SECTION	COUNTY	TOTAL SHEETS
R. SHAH	01/30/95	2755	13-00116-00-RS	WILL	15
R. SHAH	03/10/95	BD600-03 (BD-8)		CONTRACT NO.	63852
A. ABBAS	03/21/97	SCALE: VERT. NONE HORIZ.		DRAWN BY	
R. WIEDEMAN	05/14/04			CHECKED BY	
R. BORO	01/01/07				
R. BORO	03/09/11				
R. BORO	12/06/11				

FILE NAME = 13312-DTLS-03-BD06 - BD-08	USER NAME = geglianobt	DESIGNED -- R. SHAH	REVISED --R. SHAH 03-10-95
		CHECKED --	REVISED -- A. ABBAS 03-21-97
	PLOT SCALE = 5/8"=1'-0" IN.	DRAWN --	REVISED --R. WIEDEMAN 05-14-04
	PLOT DATE = 1/4/2008	CHECKED -- 10-25-94	REVISED -- R. BORO 01-01-07

STATE OF ILLINOIS  
DEPARTMENT OF TRANSPORTATION

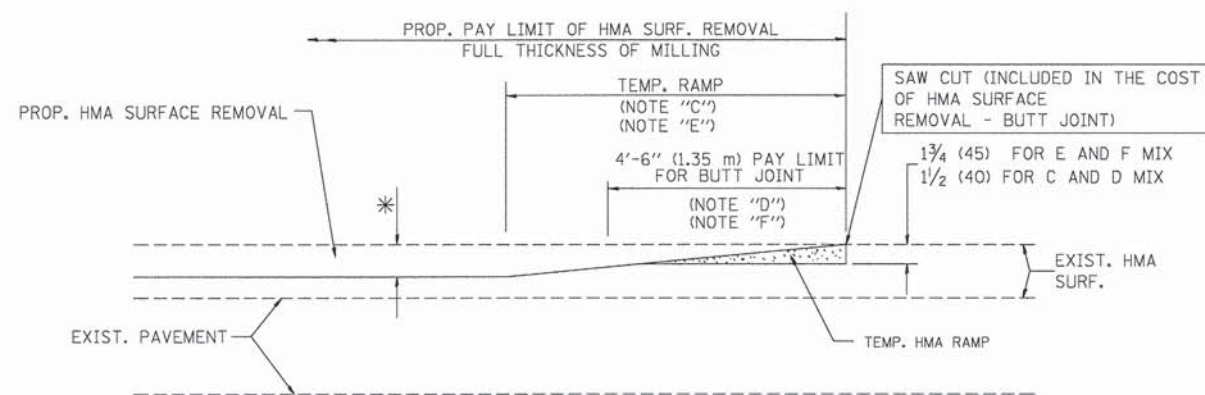
SCALE: 1"=50'  
SHEET NO. 12 OF 15 SHEETS  
STA. TO STA.

FED. ROAD DIST. NO. 1 ILLINOIS FED. AID PROJECT M-4003 (199)



MILLED TEMPORARY RAMP  
(FOR BUTT JOINT AND HMA TAPER SEE DETAIL BELOW)

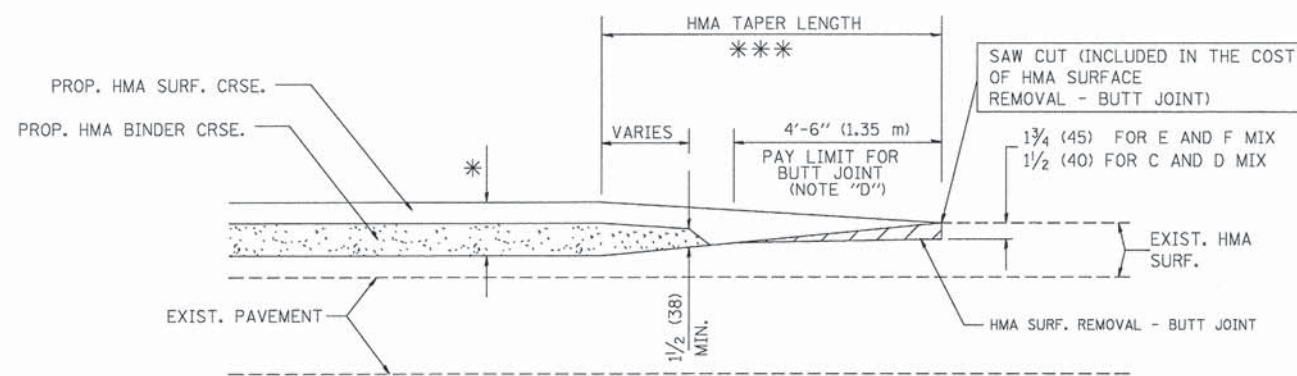
OPTION 1



HMA CONSTRUCTED TEMPORARY RAMP  
(FOR BUTT JOINT AND HMA TAPER SEE DETAIL BELOW)

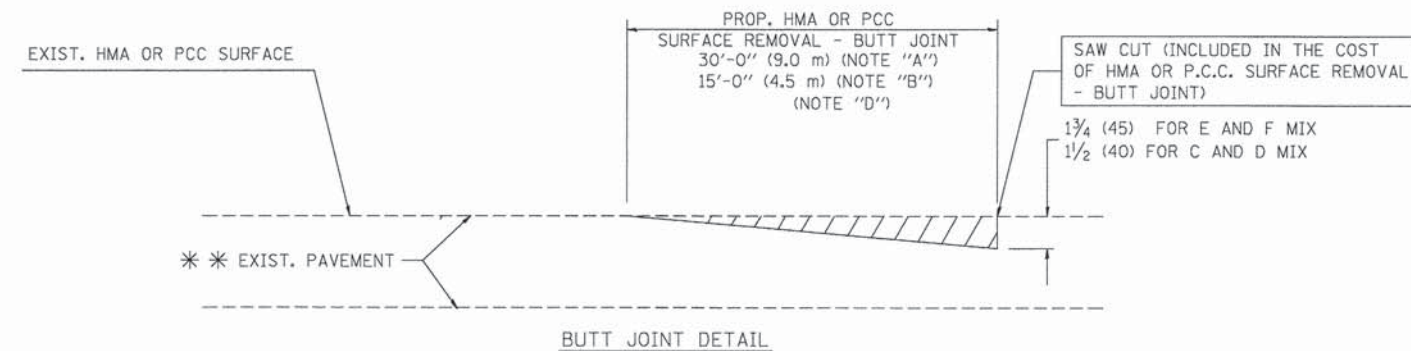
OPTION 2

TYPICAL TEMPORARY RAMP

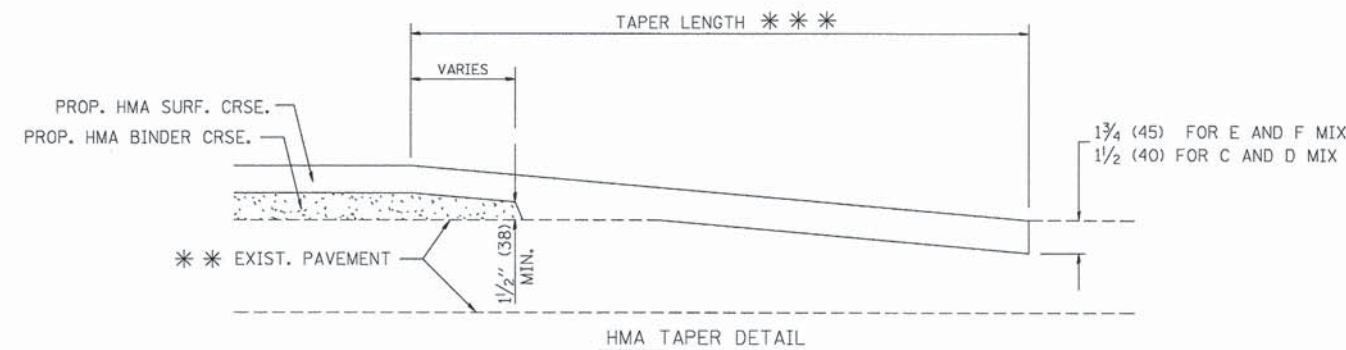


BUTT JOINT AND  
HMA TAPER

TYPICAL BUTT JOINT AND HMA TAPER  
FOR MILLING AND RESURFACING



BUTT JOINT DETAIL



HMA TAPER DETAIL

TYPICAL BUTT JOINT AND HMA TAPER  
FOR RESURFACING ONLY

\*\*\* PC CONCRETE, HMA OR HMA RESURFACED PAVEMENT.

NOTES

- A: MAINLINE ROADWAYS AND MAJOR SIDE ROADS.
  - B: MINOR SIDE ROADS.
  - C: THE TEMP. RAMP SHALL BE CONSTRUCTED IMMEDIATELY UPON REMOVAL OF THE EXISTING HMA SURFACE.
  - D: THE BUTT JOINT SHALL BE CONSTRUCTED IMMEDIATELY PRIOR TO PLACING THE PROPOSED HMA COURSES.
  - E: TAPER THE TEMP. RAMP AT A RATE OF 3'-0" (900 mm) PER 1 INCH (25 mm) OF MILLING THICKNESS.
  - F: INSTALLATION AND REMOVAL OF THE 4'-6" (1.35 m) TEMP. RAMP IS INCLUDED IN COST OF HMA SURFACE REMOVAL - BUTT JOINT
  - G: SEE ARTICLE 406.08 AND 406.14 OF THE STANDARD SPECIFICATIONS FOR "HMA AND/OR PCC SURFACE REMOVAL, BUTT JOINT".
- \* SEE TYPICAL SECTIONS FOR MILLING THICKNESS.
- \*\*\* 20'-0" (6.1 m) PER 1 (25) RESURFACING (NOTE "A")  
10'-0" (3.0 m) PER 1 (25) RESURFACING (NOTE "B")

BASIS OF PAYMENT:

THE BUTT JOINT WILL BE PAID FOR AT THE CONTRACT UNIT PRICE PER SQUARE YARD (SQUARE METER) FOR "HOT-MIX ASPHALT SURFACE REMOVAL - BUTT JOINT" OR FOR "PORTLAND CEMENT CONCRETE SURFACE REMOVAL - BUTT JOINT".

ALL DIMENSIONS ARE IN INCHES (MILLIMETERS) UNLESS OTHERWISE SHOWN.

FILE NAME = 13312-DTUS-05-BD32 - BD-32

USER NAME = gajianobt

DESIGNED -- M. DE YONG

REVISED -- R. SHAH 10-25-94

CHECKED --

CHECKED --

REVISED -- A. ABBAS 03-21-97

PLOT SCALE = 50.0000' / 1"

DRAWN --

REVISED -- M. GOMEZ 04-06-01

PLOT DATE = 1/4/2009

CHECKED -- 06-13-90

REVISED -- R. BORO 01-01-07

STATE OF ILLINOIS  
DEPARTMENT OF TRANSPORTATION

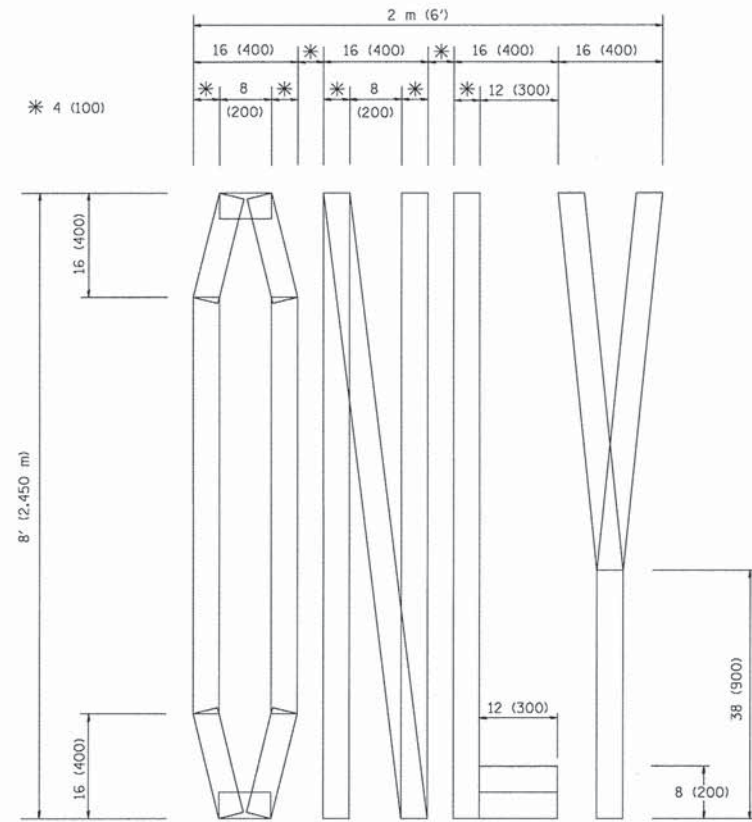
BUTT JOINT AND  
HMA TAPER DETAILS

SCALE: 1"=50'

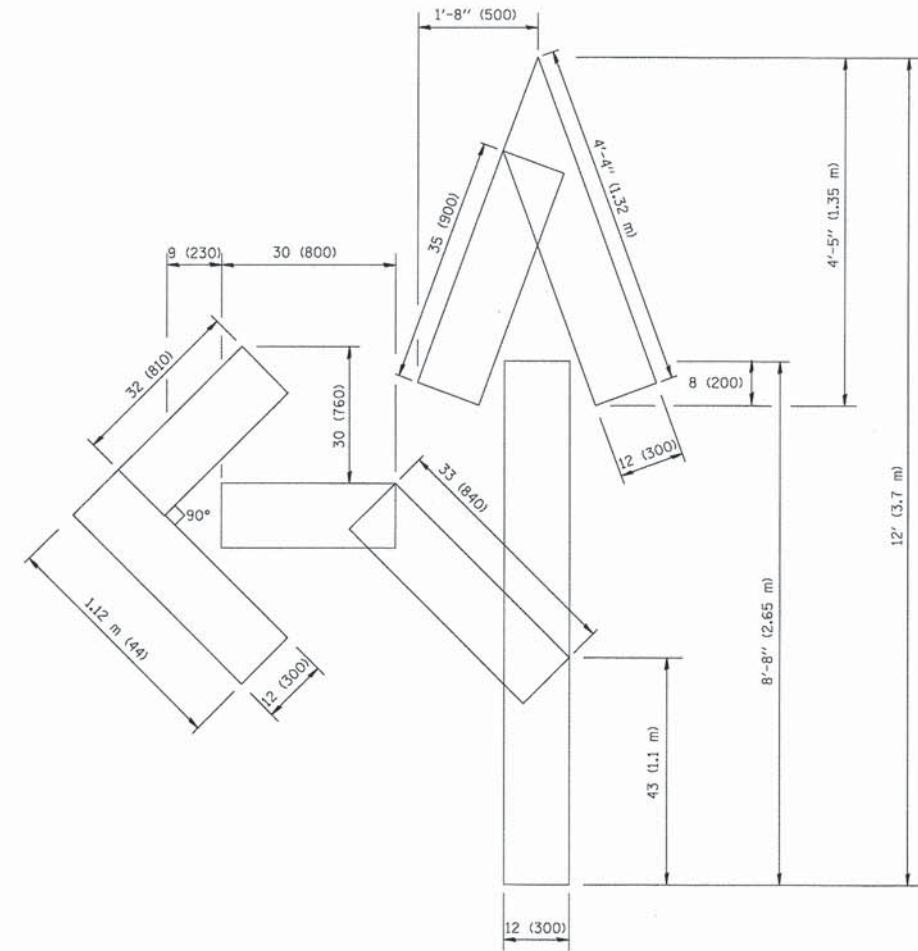
SHEET NO. 13 OF 15 SHEETS

STA. TO STA.

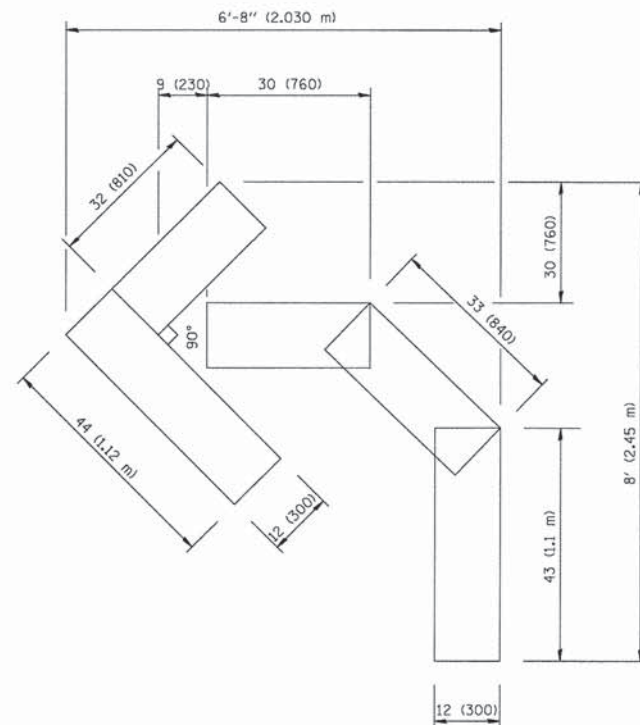
F.A.U. RTE.	SECTION	COUNTY	TOTAL SHEETS	SHEET NO.
2755	13-00116-00-RS	WILL	15	13
BD400-05 BD32			CONTRACT NO. 63852	
FED. ROAD DIST. NO. 1 ILLINOIS FED. AID PROJECT M-4003 (199)				



QUANTITY  
 4 (100) LINE = 64.1 ft. (19.7 m)  
 21.1 sq. ft. (1.97 sq. m)



QUANTITY  
 4 (100) LINE = 82.5 ft. (25.3 m)  
 27.5 sq. ft. (2.53 sq. m)



QUANTITY  
 4 (100) LINE = 45.5 ft. (13.9 m)  
 15.2 sq. ft. (1.39 sq. m)

All dimensions are in inches (millimeters) unless otherwise shown.

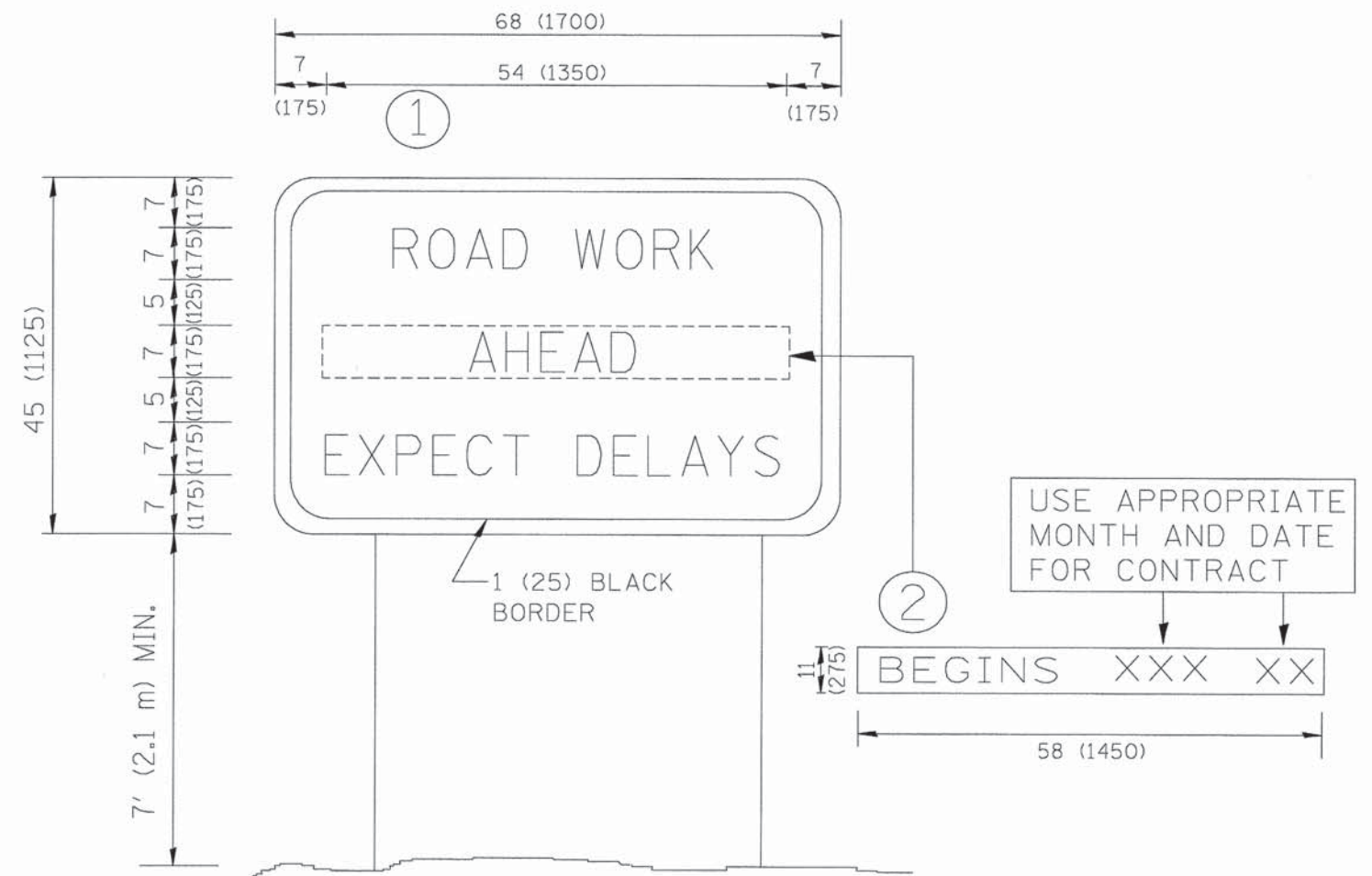
FILE NAME = 13312-DTUS-06-TC16 - TC16	USER NAME = gaglienob	DESIGNED --	REVISED --T. RAMMACHER 06-05-96
		CHECKED --	REVISED --T. RAMMACHER 11-04-97
	PLOT SCALE = 50.0000 ' / IN.	DRAWN --	REVISED --T. RAMMACHER 03-02-98
	PLOT DATE = 1/4/2008	CHECKED -- 09-18-94	REVISED --E. GOMEZ 08-28-00

STATE OF ILLINOIS  
 DEPARTMENT OF TRANSPORTATION

PAVEMENT MARKING LETTERS AND SYMBOLS  
 FOR TRAFFIC STAGING

SCALE: 1"=50' SHEET NO. 14 OF 15 SHEETS STA. TO STA.

F.A.U. RTE.	SECTION	COUNTY	TOTAL SHEETS	SHEET NO.
2755	13-00116-00-RS	WILL	15	14
TC-16			CONTRACT NO. 63852	
FED. ROAD DIST. NO. 1 ILLINOIS FED. AID PROJECT M-4003 (199)				



**NOTES:**

1. USE BLACK LETTERING ON ORANGE BACKGROUND.
2. ERECT SIGNS IN ADVANCE OF THE LOCATION FOR THE "ROAD CONSTRUCTION AHEAD" SIGN AT LOCATIONS AS DIRECTED BY THE ENGINEER.
3. ERECT SIGN ① WITH INSTALLED PANEL ② ONE WEEK PRIOR TO THE START OF CONSTRUCTION.
4. REMOVE PANEL ② SOON AFTER THE START OF CONSTRUCTION.
5. SEE SPECIAL PROVISION FOR "TEMPORARY INFORMATION SIGNING" FOR ADDITIONAL INFORMATION.
6. ONE SIGN ASSEMBLY EQUALS 25.70 SQ. FT. (2.3 SQ. M.)
7. SHALL BE PAID FOR AS TEMPORARY INFORMATION SIGNING.

ALL DIMENSIONS ARE IN INCHES (MILLIMETERS) UNLESS OTHERWISE SHOWN.

FILE NAME = 13312-OTLS-06-TC22 - TC-22	USER NAME = geglianobt	DESIGNED --	REVISED -- R. MIRS 09-15-97	STATE OF ILLINOIS DEPARTMENT OF TRANSPORTATION	ARTERIAL ROAD INFORMATION SIGN	F.A.U. RTE.	SECTION	COUNTY	TOTAL SHEETS	SHEET NO.
	PLOT SCALE = 50.000' / IN.	DRAWN --	REVISED -- R. MIRS 12-11-97			2755	13-00116-00-RS	WILL	15	15
PLOT DATE = 1/4/2008	CHECKED --	REVISED -- T. RAMMACHER 02-02-99	REVISED -- C. JUCIUS 01-31-07	SCALE:	SHEET NO. 15 OF 15 SHEETS	STA.	TO STA.	FED. ROAD DIST. NO. 1 ILLINOIS FED. AID PROJECT M-4003 (199)		