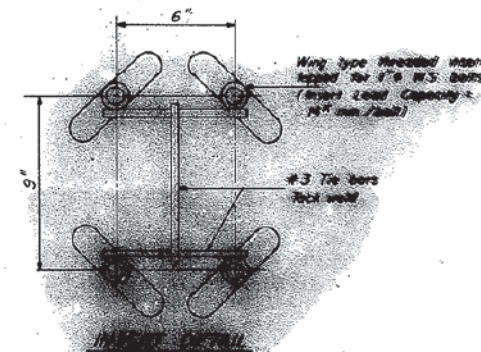
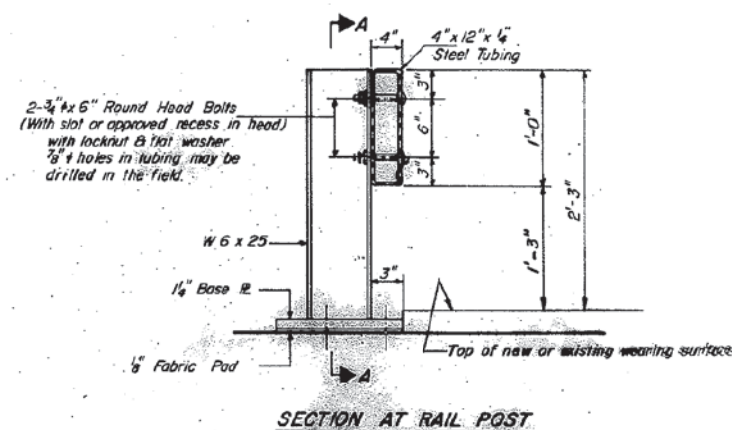
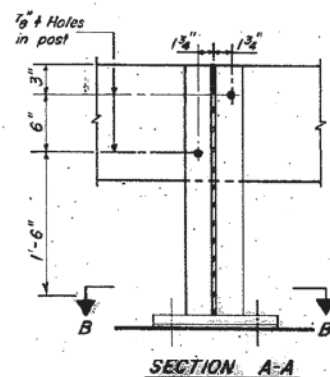
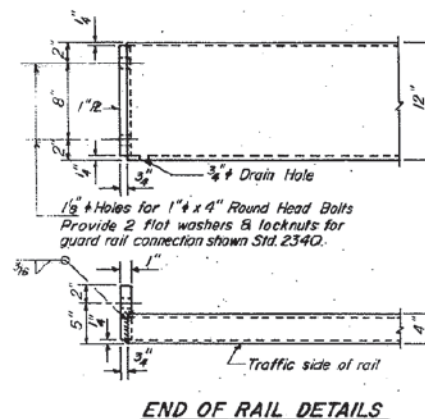
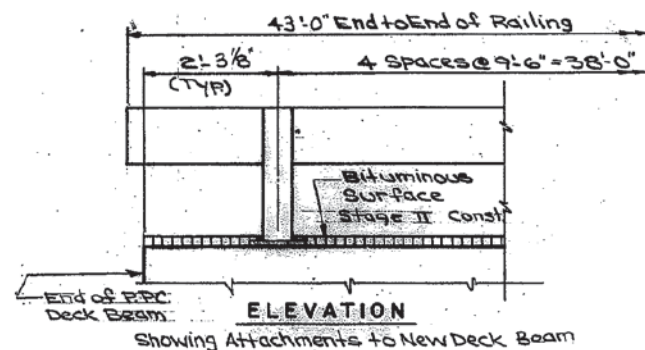
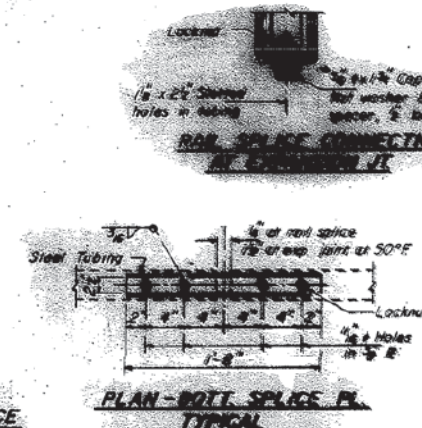
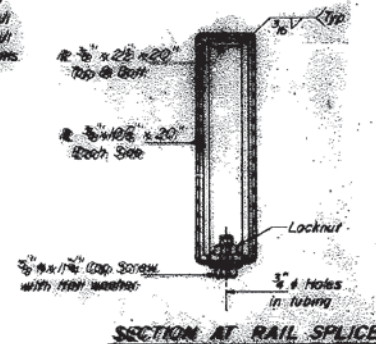
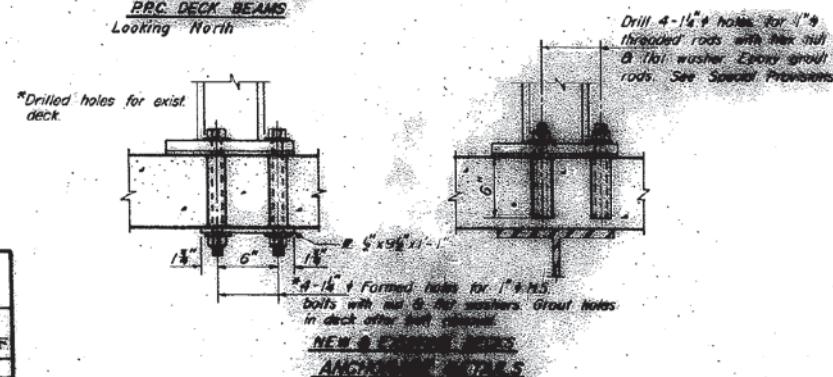
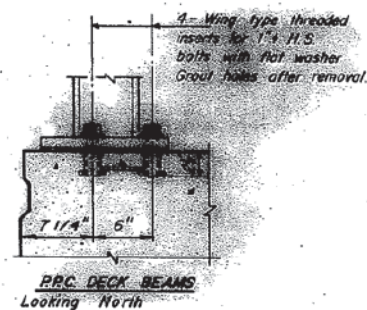
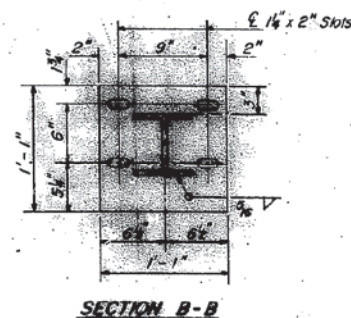


| | | | | |
|-------------------|---------|-----------------|--------------|-----------|
| PROJECT NO. | SECTION | DATE | TOTAL SHEETS | SHEET NO. |
| F.A.S. RTE 200 | 141B | WHITESIDE | 16 | 11 |
| PER. DESIG. NO. 7 | ALLOWED | PER. AS PROJECT | | |

SHEET NO. 7
9 SHEETS



NOTES
Hollow structural steel tubing shall conform to the requirements of ASTM designation A-500 Grade B Structural Steel Tubing.
All other steel shapes and plates shall conform to the requirements of AASHTO M-118 except posts shall conform to AASHTO M-223 Grade 50. Bolts, cap screws, and nuts shall conform to the requirement of ASTM designation A-307 except for high strength bolts, threaded rods, nuts and washers noted which shall conform to AASHTO M-164.
The bridge rail shall receive one shop coat of a steel prime paint.
The 1" high strength bolts or threaded rods used to connect the railposts shall be tightened in accordance with Article 50704(g)(3) of the Standard Specification.
See Special Provisions for Temporary Bridge Rail.



BILL OF MATERIAL

| Item | Unit | Quantity |
|-----------------------|----------|----------|
| Temporary Bridge Rail | Lin. Ft. | 430 |

TEMPORARY BRIDGE RAIL
F.A.S. RTE 200 (ILL 172)
OVER COUNTY DITCH NO. 1
F.A.S. RTE 200 SECTION 141 BR
WHITESIDE COUNTY
STA. 87+ 82.00

REVISIONS

| NAME | DATE |
|------|------|
| | |
| | |
| | |
| | |

DONOHUE
ENGINEERS & ARCHITECTS
DESIGN: []
BY: P.D.Z. BY: J.T.T. BY: J.A.R. BY: L.N.F.
PROJECT NUMBER 11510.201