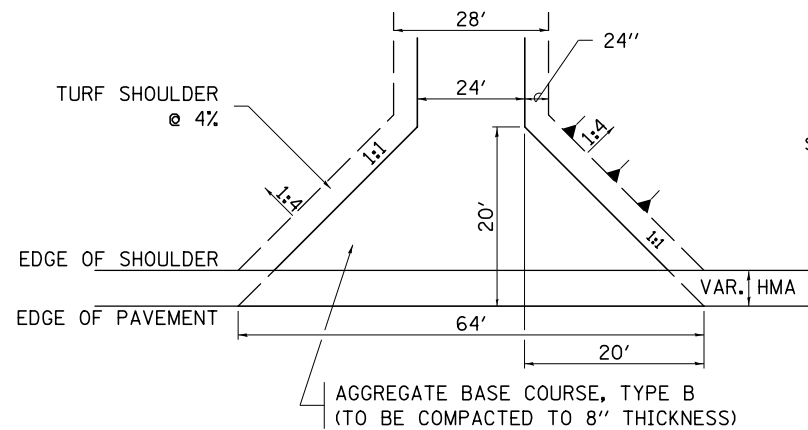
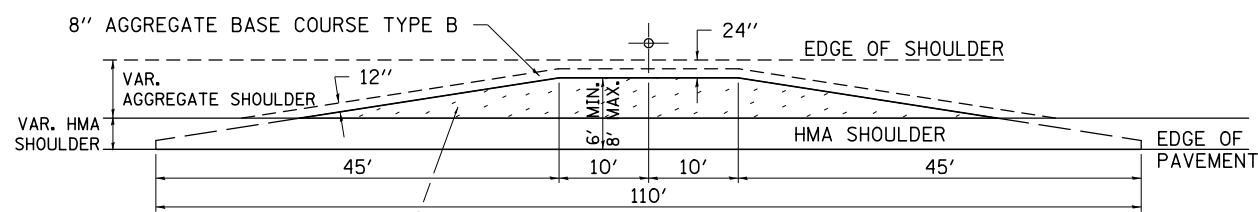


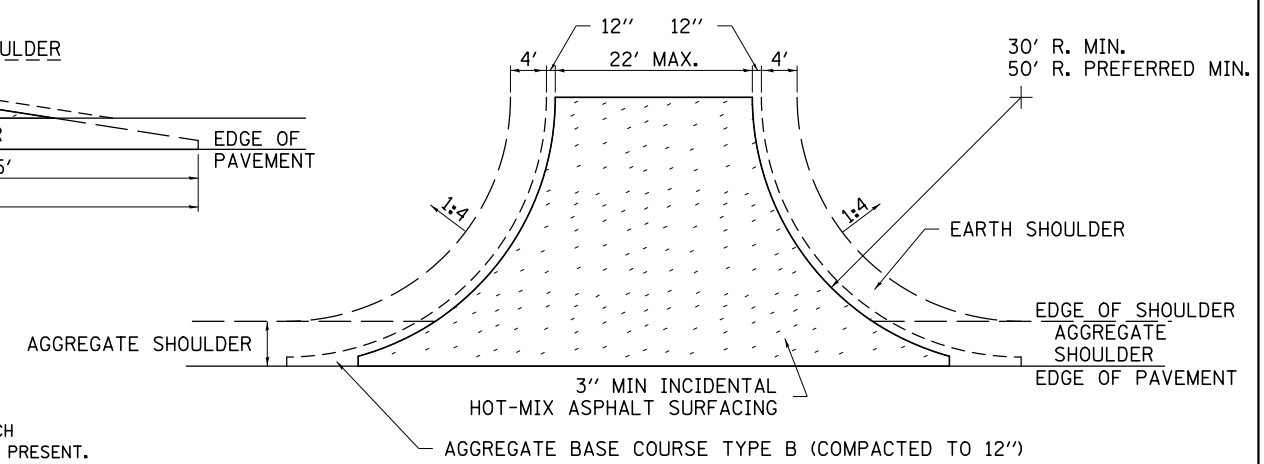
HOT-MIX ASPHALT APPROACHES AND MAILBOX RETURNS



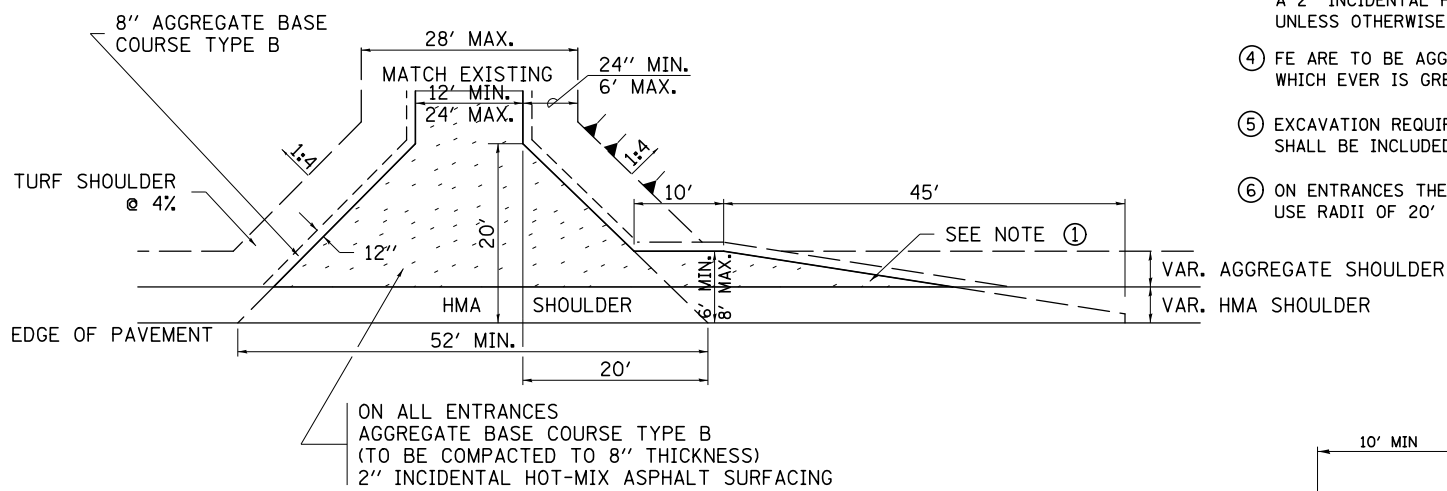
FIELD ENTRANCE



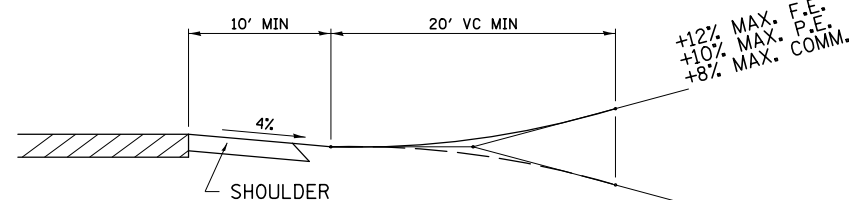
MAILBOX TURNOUT



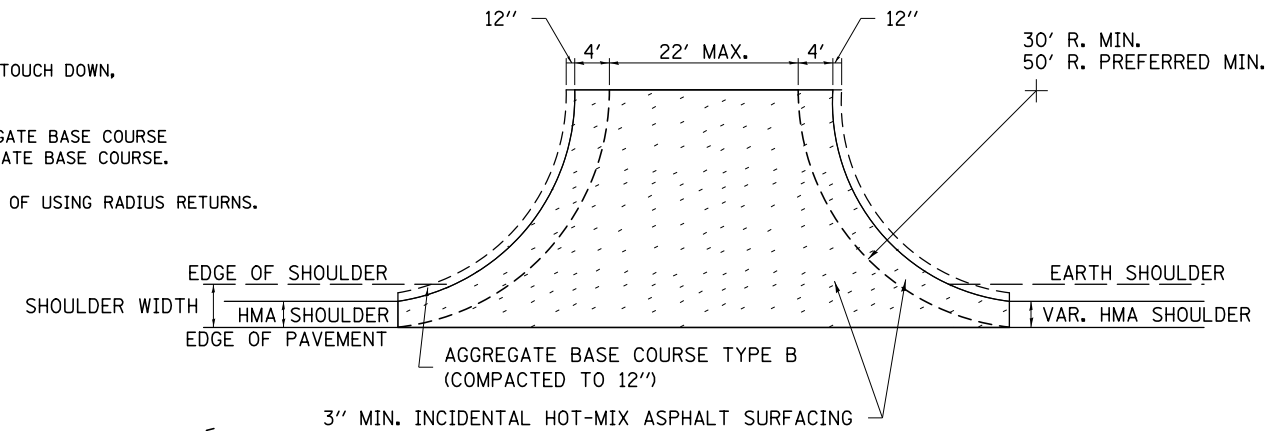
SIDE ROAD RETURN/EARTH SHOULDER



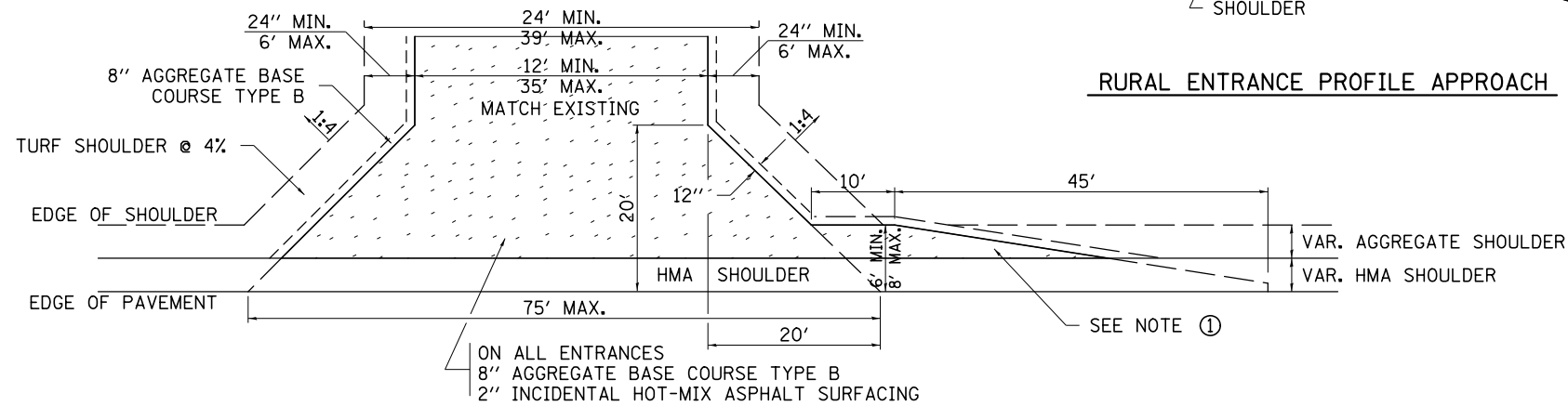
PRIVATE ENTRANCE



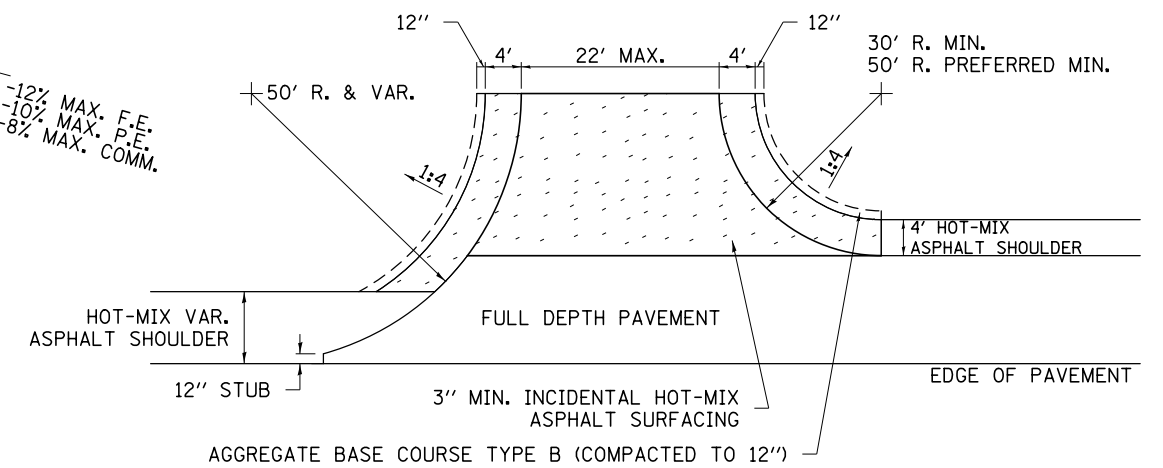
RURAL ENTRANCE PROFILE APPROACH



SIDE ROAD RETURN/HMA SHOULDER



COMMERCIAL ENTRANCE



SIDE ROAD RETURN WITH RIGHT TURN LANE

NOTE

- ① TURNOUTS ARE TO BE CONSTRUCTED ON THE APPROACH SIDE OF ALL PE & CE REGARDLESS IF A MAILBOX IS PRESENT.
- ② ALL PE & CE ARE TO BE SURFACED TO RIGHT OF WAY LINE. AREA BEHIND RIGHT OF WAY SHALL MATCH EXISTING SURFACE.
- ③ ALL PE & CE TO BE CONSTRUCTED WITH AN 8" AGGREGATE BASE COURSE, TYPE B AND WITH A 2" INCIDENTAL HOT-MIX ASPHALT SURFACING, UNLESS OTHERWISE NOTED.
- ④ FE ARE TO BE AGGREGATE TO RIGHT OF WAY OR TOUCH DOWN, WHICH EVER IS GREATEST.
- ⑤ EXCAVATION REQUIRED FOR PLACEMENT OF AGGREGATE BASE COURSE SHALL BE INCLUDED IN THE COST OF THE AGGREGATE BASE COURSE.
- ⑥ ON ENTRANCES THE CONTRACTOR HAS THE OPTION OF USING RADIUS RETURNS. USE RADII OF 20' TO 60'.

FILE NAME =	USER NAME = #USER*	DESIGNED -	REVISED - 12-07-10
#FILE#		DRAWN -	REVISED -
	PLOT SCALE = #SCALE*	CHECKED -	REVISED -
	PLOT DATE = #DATE*	DATE -	REVISED -

**STATE OF ILLINOIS
DEPARTMENT OF TRANSPORTATION**

REGION 2 / DISTRICT 2 STANDARD

SCALE: SHEET NO. OF SHEETS STA. TO STA.

F.A. RTE.	SECTION	COUNTY	TOTAL SHEETS	SHEET NO.
17	4BR-5 & 4BR-6	CARROLL	150	129
CONTRACT NO. 64D83				
FED. ROAD DIST. NO. ILLINOIS FED. AID PROJECT				