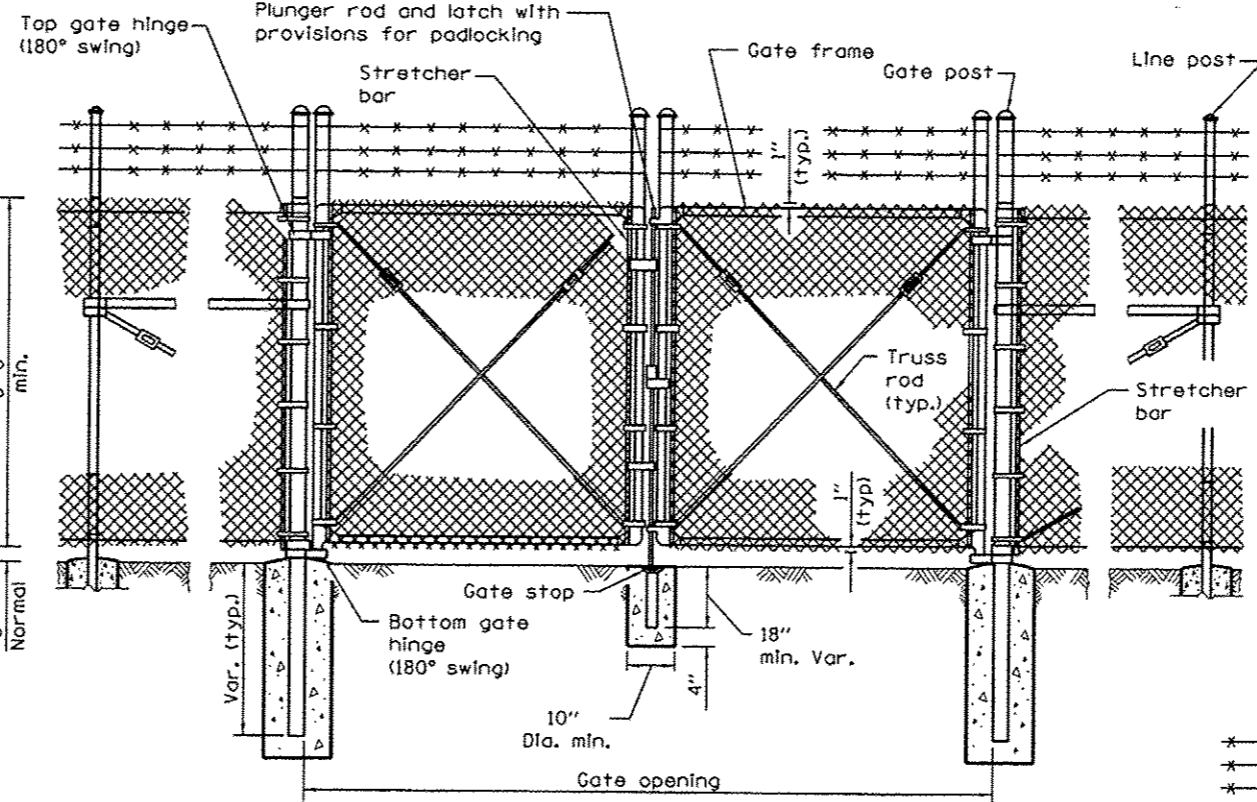
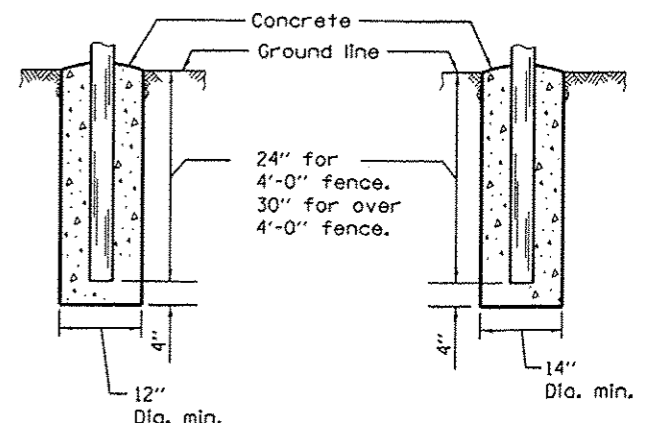


SINGLE GATE ARRANGEMENT

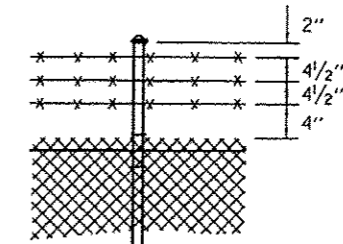


DOUBLE GATE ARRANGEMENT

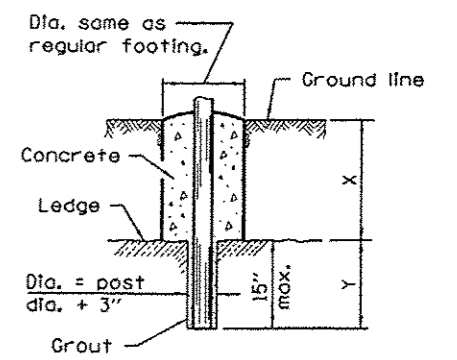


FOOTING FOR LINE POST

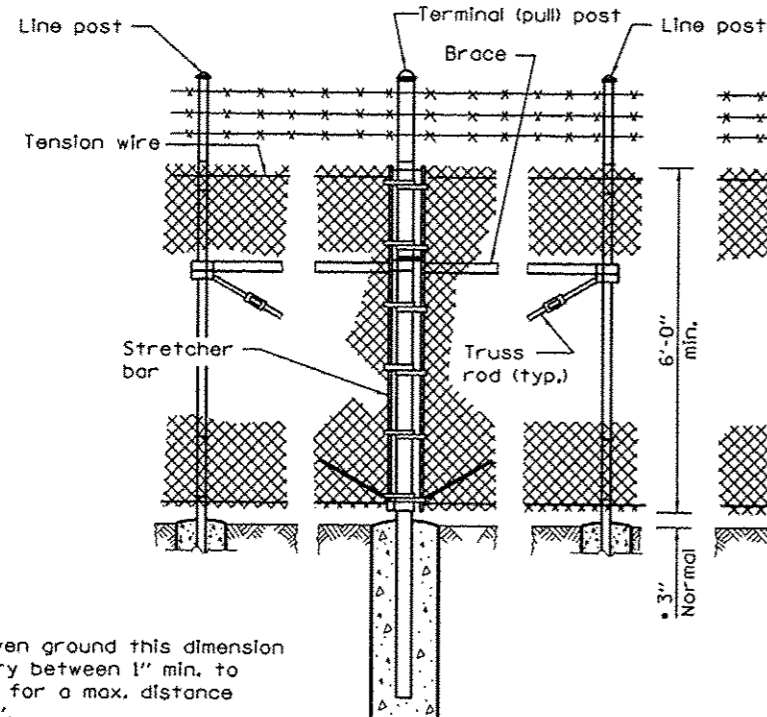
FOOTING FOR GATE & TERMINAL POST



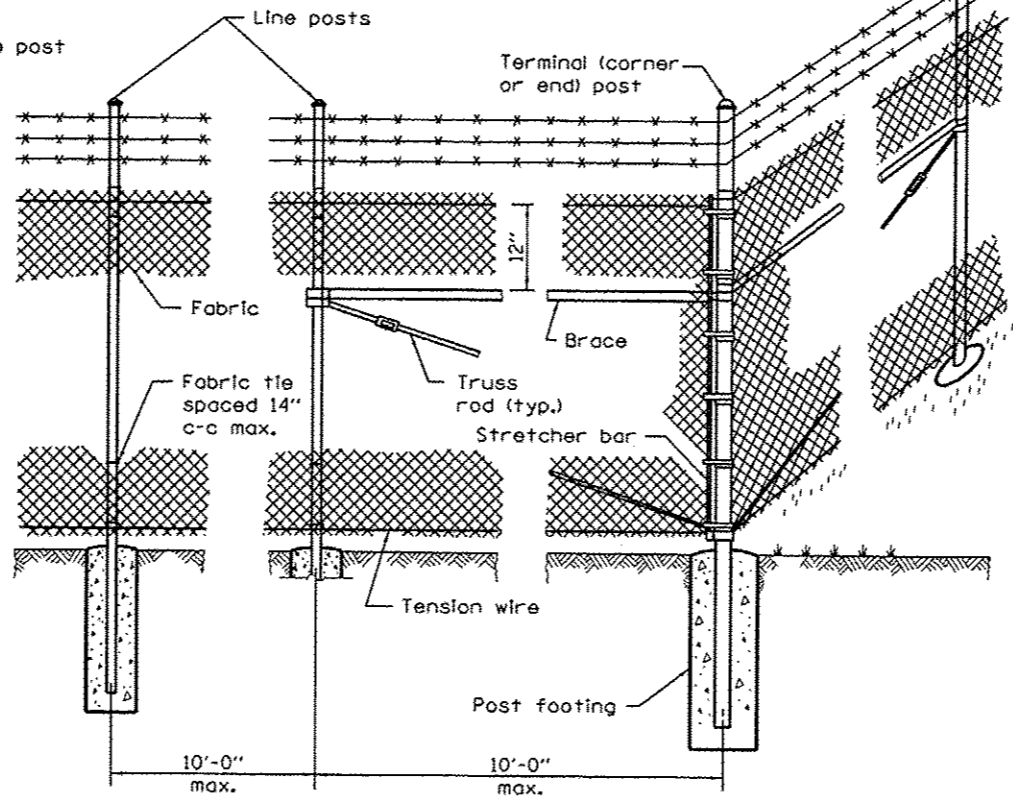
BARBED WIRE SPACING DETAIL



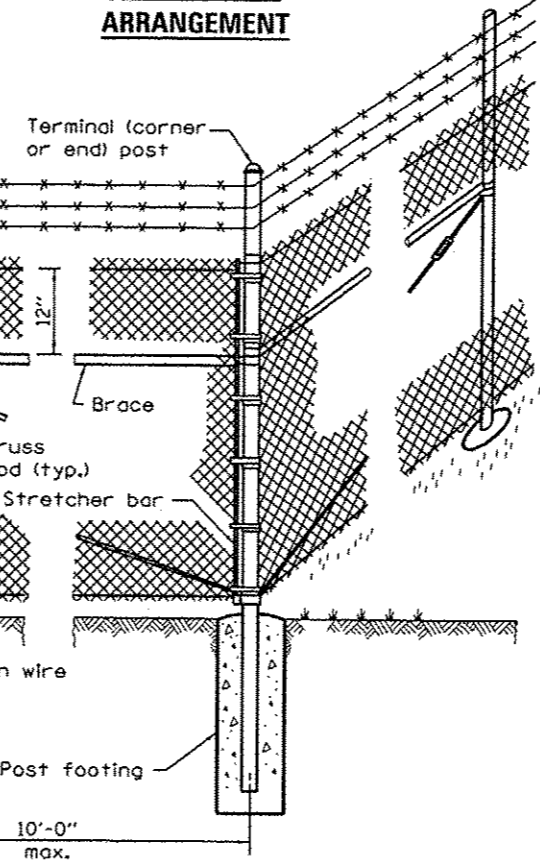
FOOTING FOR POST IN ROCK LEDGE



PULL POST ARRANGEMENT



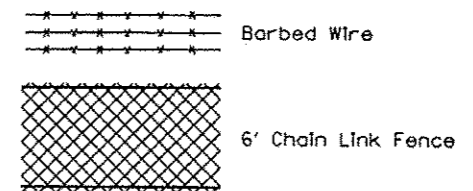
LINE POST ARRANGEMENT



CORNER OR END POST ARRANGEMENT

• On uneven ground this dimension may vary between 1" min. to 5" max. for a max. distance of 8'-0".

LEGEND



GENERAL NOTES

Pull posts shall be placed at locations determined by the Engineer. They shall be placed at 660' intervals between posts to which the ends of the fabric are clamped or midway between such posts when the distance is less than 1320' and greater than 660'.

X + Y shall not exceed 24", 30", or 36", as applicable. When X is 0 - 9", 15", or 21", then Y = 15" and the post shall be shortened as required. When X exceeds 9", 15", or 21", then Y shall be decreased correspondingly.

All dimensions are in inches unless otherwise shown.

FILE NAME: c:\p\work\spidat\woodshankr\1d8336671	USER NAME: woodshankr	DESIGNED: YOGESH PATEL	REVISED:	STATE OF ILLINOIS DEPARTMENT OF TRANSPORTATION	CHAIN LINK FENCE DETAILS	F.A.P. RTE.	SECTION	COUNTY	TOTAL SHEETS	SHEET NO.	
		DRAWN: YOGESH PATEL	REVISED:			US 30	D3 FENCE REPAIR 2014-1	DEKALB	7	5	
		CHECKED: RON WOODSHANK	REVISED:			CONTRACT NO. 66005					
		DATE:	REVISED:			SCALE:	SHEET 1 OF 3 SHEETS	STA.	TO STA.	(ILLINOIS) FED. AID PROJECT	