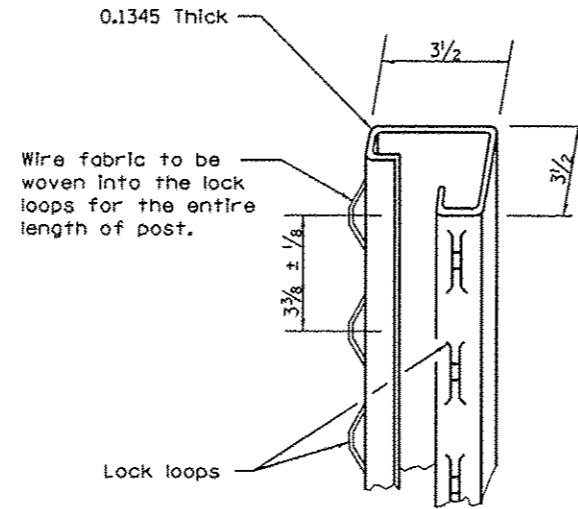
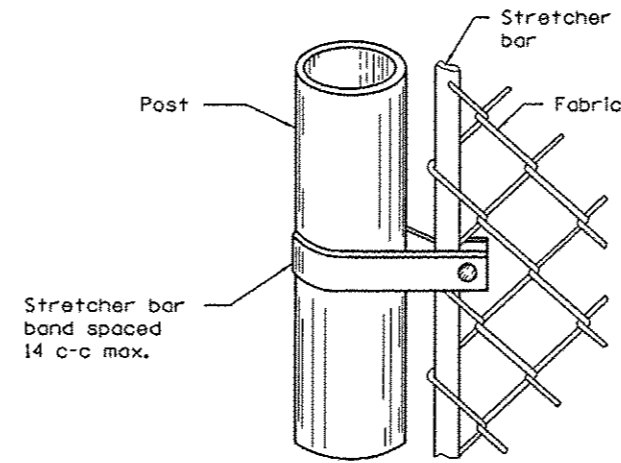


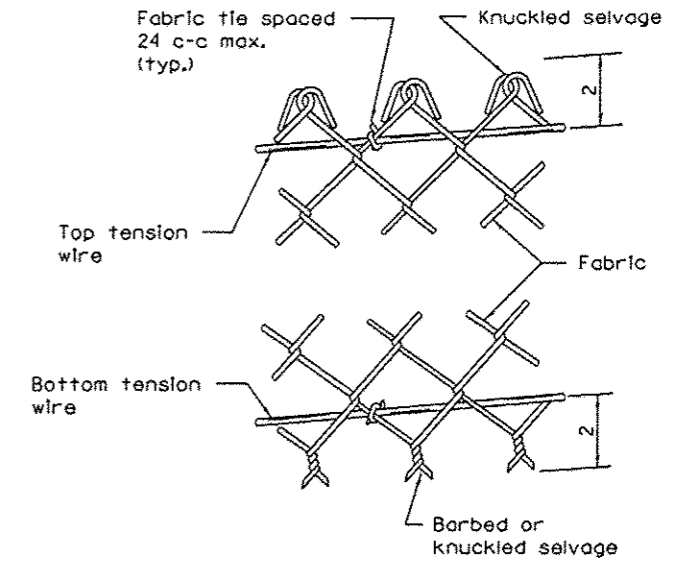
ROLL FORMED SECTION OF BRACE



ROLL FORMED SECTION OF TERMINAL & GATE POST



METHOD OF FASTENING STRETCHER BAR TO POST



METHOD OF TYING FABRIC TO TENSION WIRES

LINE POST	
Section	lbs./ft.
Pipe Type A 1.90 O.D.	2.72
Pipe Type B 1.90 O.D.	2.28
Pipe Type C 1.90 O.D.	2.26
H 1.875x1.625	2.72
□	1.60
I	2.30

TERMINAL POST	
Section	lbs./ft.
Pipe Type A 2.375 O.D.	3.65
Pipe Type B 2.375 O.D.	3.11
Pipe Type C 2.375 O.D.	3.09
Roll Formed 3 1/2 x 3 1/2	See detail
Sq. Tubing 2 1/2 x 2 1/2	4.32

HORIZONTAL BRACES	
Section	lbs./ft.
Pipe Type A 1.66 O.D.	2.27
Pipe Type B 1.66 O.D.	1.83
Pipe Type C 1.66 O.D.	1.82
H 1.31x1.5	2.25
Roll Formed 1 5/8 x 1 1/4	See detail

GATE FRAMES	
Section	lbs./ft.
Pipe Type A 1.66 O.D.	2.27
Pipe Type B 1.66 O.D.	1.83
Pipe Type C 1.66 O.D.	1.82

GATE POSTS •							
Gate Opening • ft.		Pipe Type A		Sq. Tubing		Pipe Type B	
Single	Double	Size (O.D.)	lbs./ft.	Size	lbs./ft.	Size (O.D.)	lbs./ft.
Up to 4	Up to 8	2.375	3.65	2 1/2	4.32	2.375	3.11
Over 4 to 8	Over 8 to 16	2.875	5.79	3	5.78	2.875	4.64
Over 8 to 12	Over 16 to 24	3.5	7.58	3	8.80	3.5	5.707

• The 3 1/2 x 3 1/2 roll formed section as detailed may be used as gate posts for single gate up to 6' and double gate up to 12'.