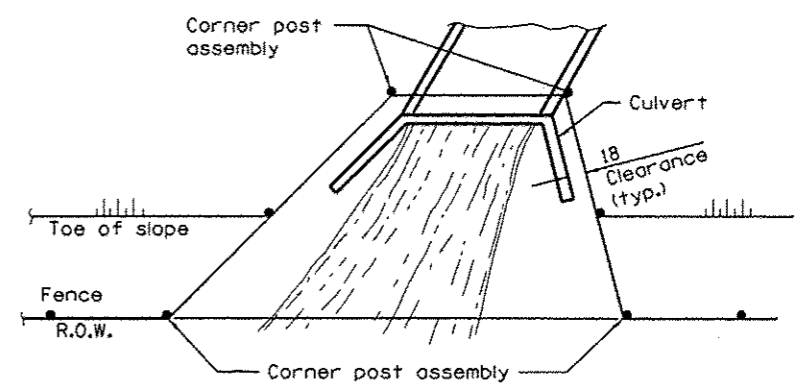
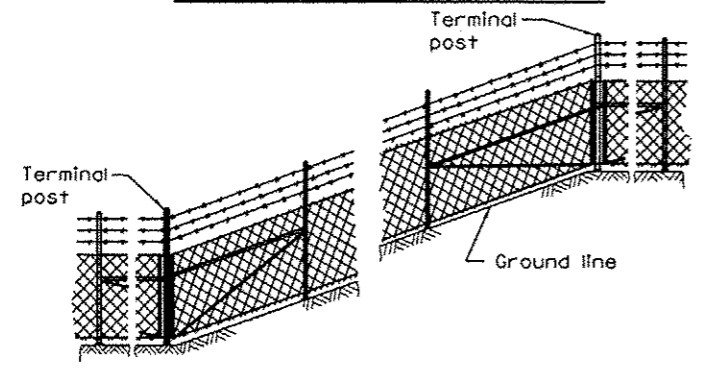


PLAN AT STREAM CROSSING

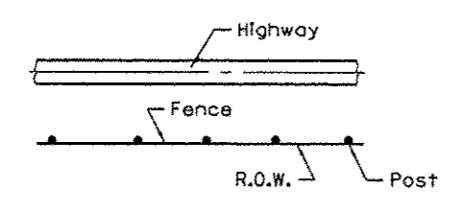


PLAN AT HEADWALL

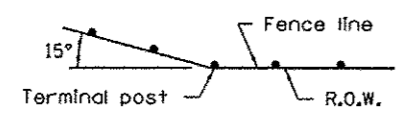
PROTECTIVE ELECTRICAL GROUNDS



INSTALLATION ON SLOPES



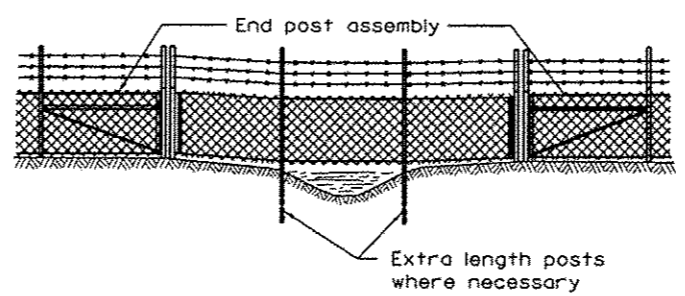
PLAN



When fence line has a change in direction of 15° or more, a terminal post shall be placed as shown above.

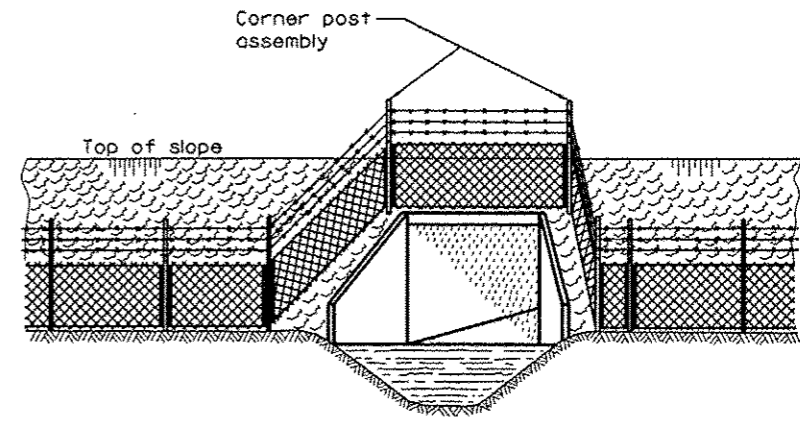
Where angle is less than 15° and existing conditions require a terminal post, they shall be placed as directed by the Engineer.

INSTALLATION AT CORNERS



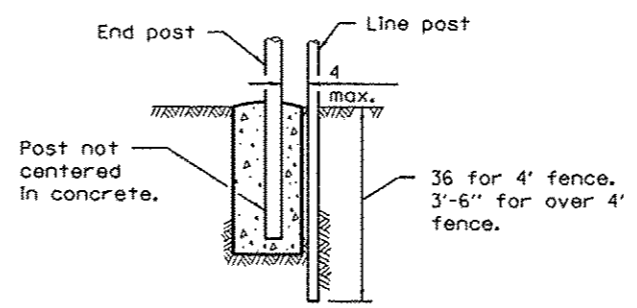
ELEVATION INSTALLATION OVER STREAM

The chain link fabric shall be replaced by barbed wire strands at 12 maximum centers between the double posts shown on DETAIL A when shown on the plans.



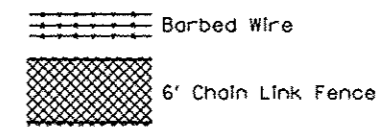
ELEVATION INSTALLATION AROUND HEADWALL

When the width of the culvert makes it necessary to anchor a post to the top of the culvert, a cast iron shoe or other device approved by the Engineer shall be used.



DETAIL A

LEGEND



FILE NAME =	USER NAME = woodshankr1	DESIGNED - YOGESH PATEL	REVISED -	STATE OF ILLINOIS DEPARTMENT OF TRANSPORTATION	CHAIN LINK FENCE DETAILS			F.A.P. RTE.	SECTION	COUNTY	TOTAL SHEETS	SHEET NO.
c:\pwwork\pvidot\woodshankr1\08335671\0366005-ahs-details.dgn	PLOT SCALE = 100.0000' / in.	DRAWN - YOGESH PATEL	REVISED -					US 30	03 FENCE REPAIR 2014-1	DEKALB	7	7
	PLOT DATE = 7/2/2013	CHECKED - RON WOODSHANK	REVISED -		SCALE:	SHEET 3 OF 3 SHEETS	STA.	TO STA.	CONTRACT NO. 66005			
		DATE -	REVISED -						ILLINOIS FED. AID PROJECT			