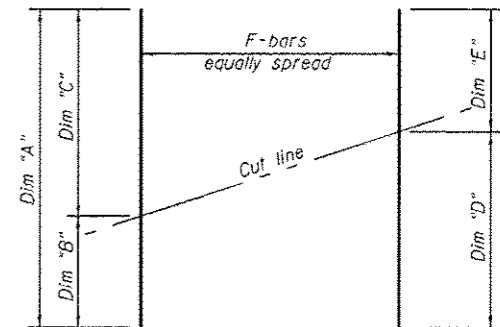
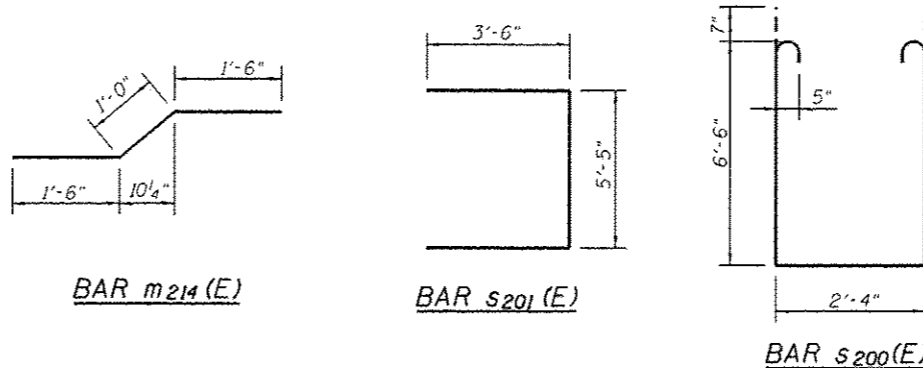


SECTION A-A
(at Rt. L's)

EASTBOUND BRIDGE DIMENSION X FOR CELLULAR POLYSTYRENE

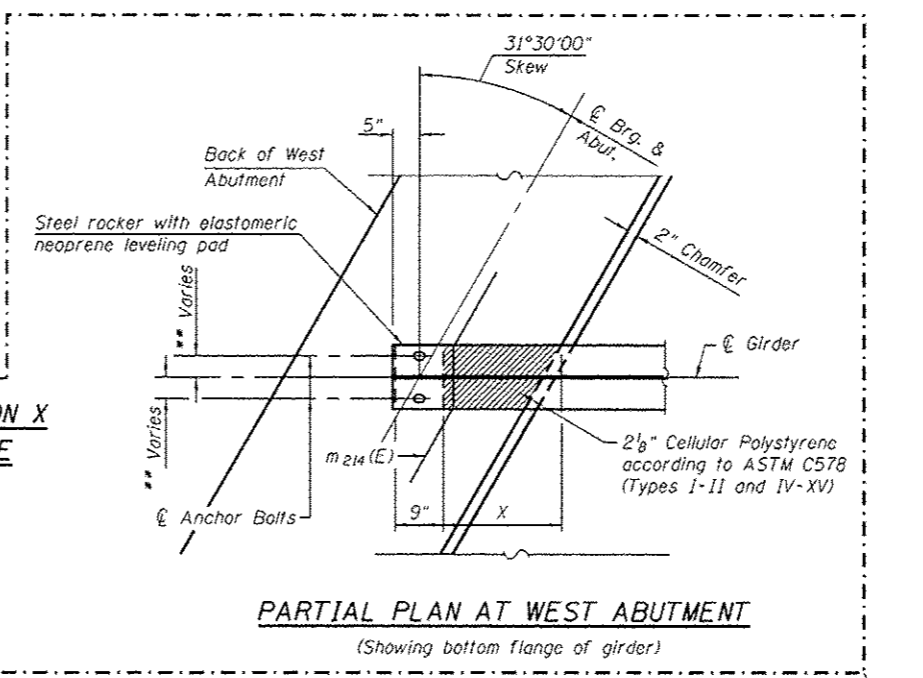
GIRDERS	W. ABUT.	E. ABUT.
10 thru 14	1'-11 1/8"	1'-11 3/8"
15	1'-11"	1'-11 3/8"
16	1'-10 1/8"	1'-10 3/4"
17	1'-10 1/2"	1'-10 1/2"
18	1'-11 1/8"	1'-10 3/8"
19	1'-10"	1'-10 1/4"



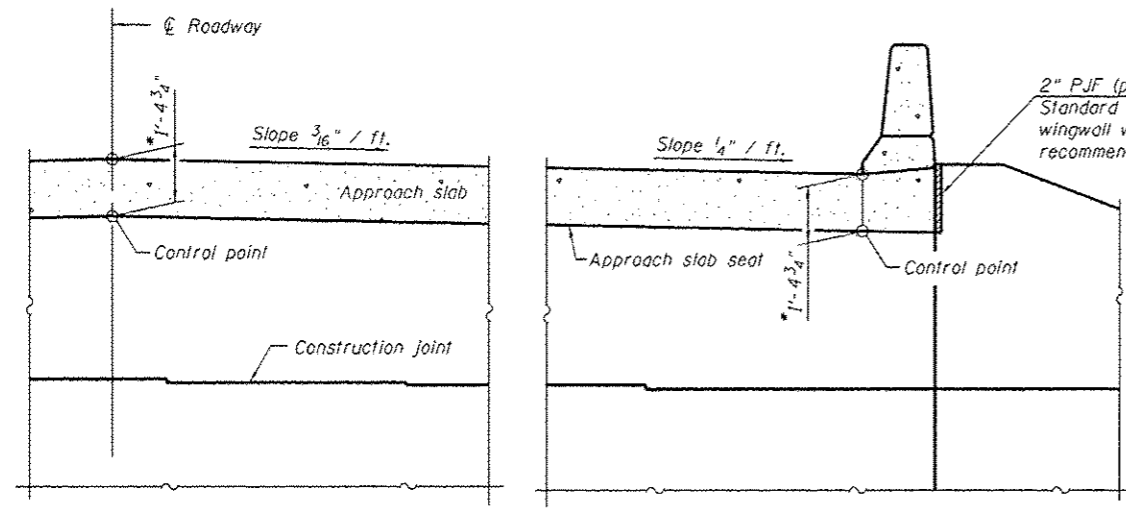
FIELD CUTTING DIAGRAM

Order bars full length. Cut as shown and use remainder of bar as specified.

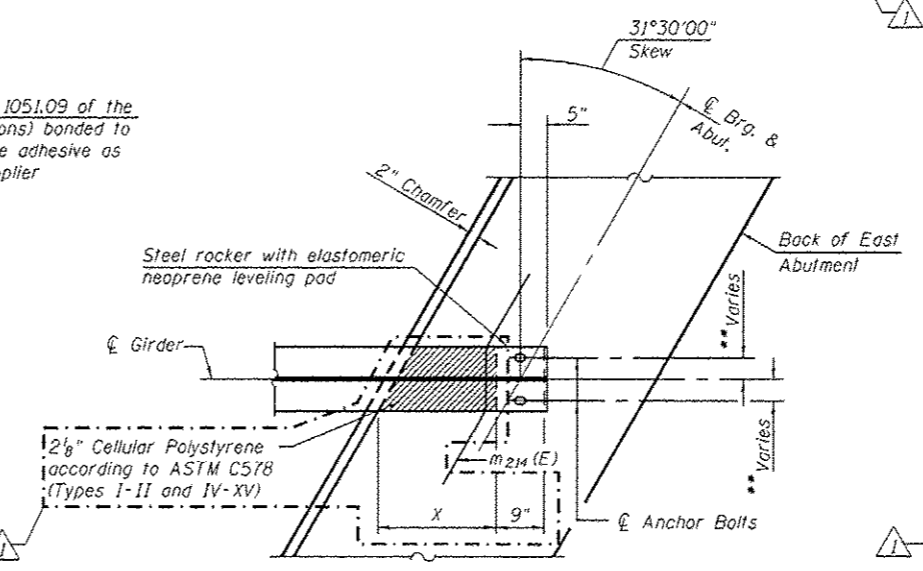
BAR	A	B	C	D	E	F
#6-a200(E)	32'-2"	1'-0"	31'-2"	31'-2"	1'-0"	38
#6-a202(E)	33'-9"	2'-7"	31'-2"	31'-2"	2'-7"	22
#6-a205(E)	42'-11"	21'-10 1/2"	21'-0 1/2"	40'-3"	2'-8"	23
#6-a207(E)	55'-9"	28'-4"	27'-5"	53'-7"	2'-2"	32
#6-a208(E)	41'-9"	21'-7"	20'-2"	39'-8"	2'-1"	14
#6-a210(E)	55'-2"	28'-4"	26'-10"	52'-9"	2'-5"	19



PARTIAL PLAN AT WEST ABUTMENT
(Showing bottom flange of girder)



SECTION B-B



PARTIAL PLAN AT EAST ABUTMENT
(Showing bottom flange of girder)

Notes:
 * Prior to Grinding
 ** See sheet 55 of 79 for dimension.
 Reinforcement bars in diaphragm are billed with superstructure on sheet 30 of 79.
 Concrete in diaphragm is included with Concrete Superstructure on sheet 30 of 79.
 For details of bar m214 (E) see sheet 30 of 79.
 The s200 (E) and s202 (E) bars shall be placed parallel to the girders. Spacing for these bars shall be at right angles to the girders.
 The approach slab seat shall have a constant slope determined from the control points shown.
 For bearing details see sheet 56 of 79.
 For details of Precast Bridge Approach Slab connection to Abutment Diaphragm, see sheet 45 and 49 of 79.
 Cost of cellular polystyrene included with concrete Structures. See sheet 34 of 79 for additional placement details.