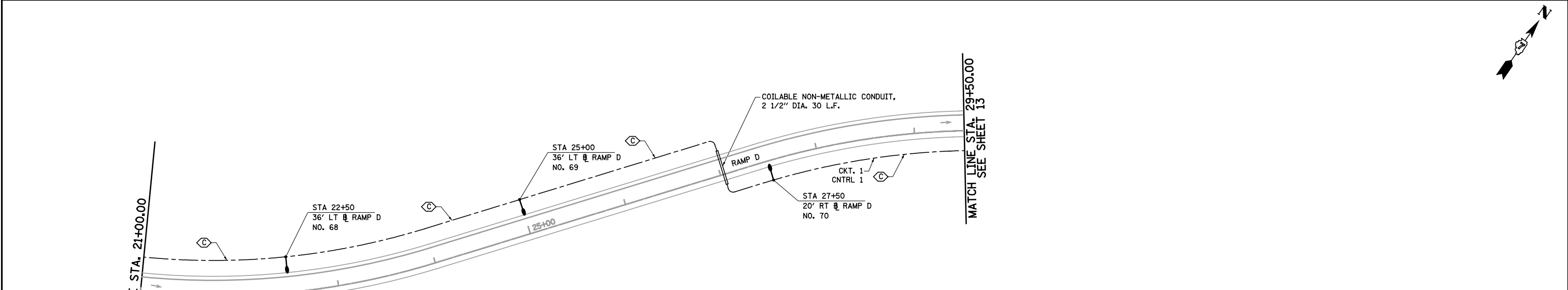


LEGEND

- EXISTING LIGHTING UNIT, TWIN
- PROPOSED LIGHTING UNIT, 45 FT ALUMINUM POLE, TWIN 8 FT DAVIT ARM, (2) 400W HPS LUMINAIRES, M-C-3
- PROPOSED LIGHTING UNIT, 50 FT ALUMINUM POLE, TWIN 15 FT DAVIT ARM, 400W HPS LUMINAIRE, M-C-3
- EXISTING LIGHTING CONTROLLER
- PROPOSED LIGHTING CONTROLLER
- SERVICE INSTALLATION
- COMBINATION LIGHTING UNIT, 45 FT MH, 15 FT MAST ARM, 400 HPS LUMINAIRE, PHOTO-CELL CONTROL, M-C-3
- PROPOSED LIGHTING UNIT, 50 FT ALUMINUM POLE, TWIN 15 FT DAVIT ARM, (2) 400W HPS LUMINAIRES, M-C-3
- JUNCTION BOX, STAINLESS STEEL, ATTACHED TO STRUCTURE OR EMBEDDED IN STRUCTURE, SIZE AS NOTED
- PROPOSED UNIT DUCT, SIZE AS NOTED
- PROPOSED ELECTRIC CABLE IN CONDUIT, SIZE AS NOTED
- PROPOSED UNDERGROUND COILABLE NON-METALLIC CONDUIT, SIZE AS NOTED
- EXISTING UNIT DUCT OR CABLE IN CONDUIT



CABLE / CONDUIT SCHEDULE

- A** UNIT DUCT, 600V, 2-1C NO. 8, 1/C NO. 8 GROUND, (XLP-TYPE USE), 3/4" DIA. POLYETHYLENE
- B** UNIT DUCT, 600V, 2-1C NO. 6, 1/C NO. 8 GROUND, (XLP-TYPE USE), 1" DIA. POLYETHYLENE
- C** UNIT DUCT, 600V, 2-1C NO. 4, 1/C NO. 6 GROUND, (XLP-TYPE USE), 1" DIA. POLYETHYLENE
- D** ELECTRIC CABLE IN CONDUIT, 600V, (XLP-TYPE USE), 2-1C NO. 8, 1/C NO. 8 GROUND IN 2" DIA. PVC CONDUIT EMBEDDED IN STRUCTURE
- E** ELECTRIC CABLE IN CONDUIT, 600V, (XLP-TYPE USE), 2-1C NO. 6, 1/C NO. 8 GROUND IN 2" DIA. PVC CONDUIT EMBEDDED IN STRUCTURE
- F** ELECTRIC CABLE IN CONDUIT, 600V, (XLP-TYPE USE), 2-1C NO. 4, 1/C NO. 6 GROUND IN 2" DIA. PVC CONDUIT EMBEDDED IN STRUCTURE
- G** ELECTRIC CABLE IN CONDUIT, 600V, (XLP-TYPE USE), 2-1C NO. 6, 2-1/C NO. 4, 1/C NO. 6 GROUND IN 2" DIA. PVC CONDUIT EMBEDDED IN STRUCTURE
- L** UNIT DUCT, 600V, 2-1C NO. 2, 1/C NO. 4 GROUND, (XLP-TYPE USE), 1 1/4" DIA. POLYETHYLENE
- △** LIGHT POLE FOUNDATION
- △** LIGHT POLE FOUNDATION (SPECIAL)

FILE NAME s:\project\007257-70.dgn\US Trk\lpmk.stl.dgn	USER NAME = *USER*	DESIGNED - JWS	REVISED -
PLOT SCALE = *SCALE*	CHECKED - BRM	REVISIONS	REVISIONS
PLOT DATE = *DATE*	DATE - 11-02-12	REVISIONS	REVISIONS

**STATE OF ILLINOIS
DEPARTMENT OF TRANSPORTATION**

PROPOSED LIGHTING, US ROUTE 45 RAMP C
SCALE: 1"=50' SHEET NO. 25 OF 35 SHEETS STA. TO STA.

F.A.I. RTE. 57/70	SECTION (25-4)R	COUNTY EFFINGHAM	TOTAL SHEETS 1760	SHEET NO. 472
FED. ROAD DIST. NO. ILLINOIS FED. AID PROJECT			CONTRACT NO. 74295	

